

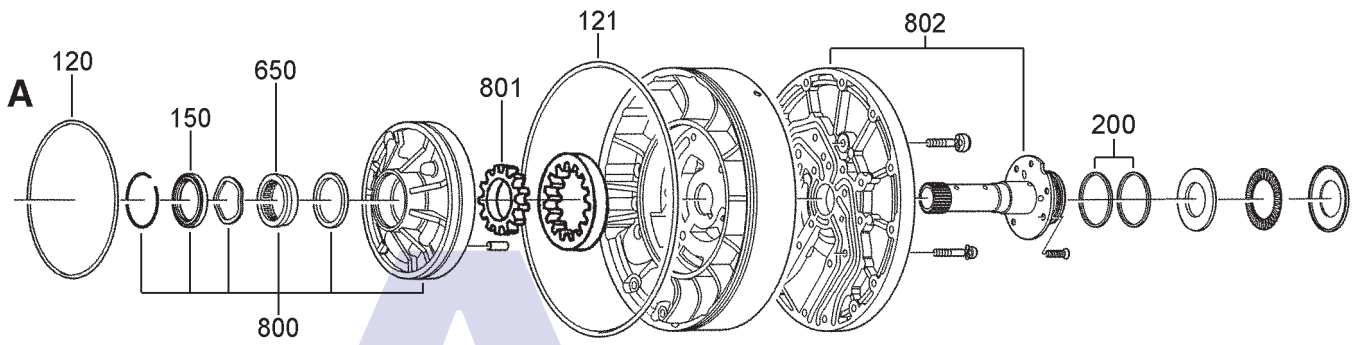
# ZF 5HP30 (BMW, ROLLS ROYCE, BENTLY & ASTON MARTIN) 5 SPEED RWD (Electronic Control) Codes: 1055 000 xxx.



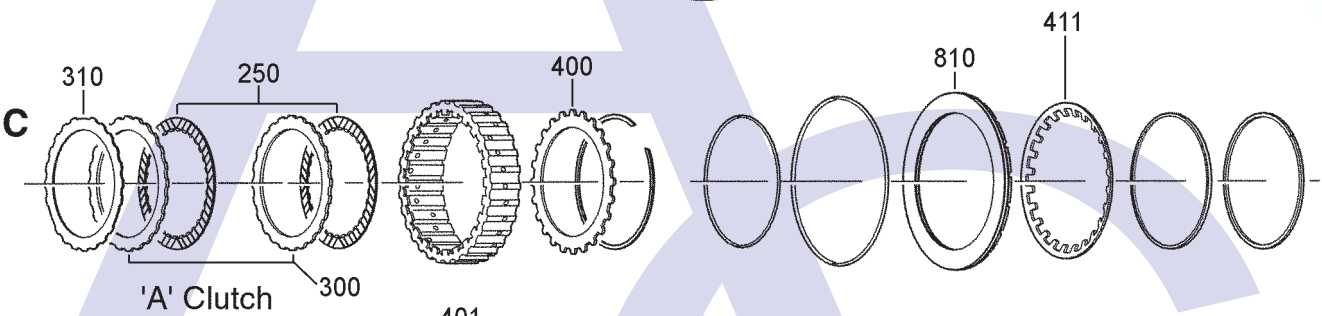
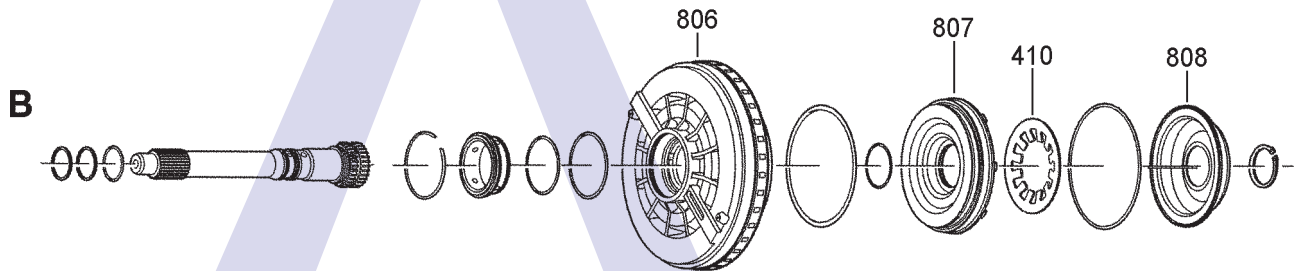
AUTOMATIC CHOICE



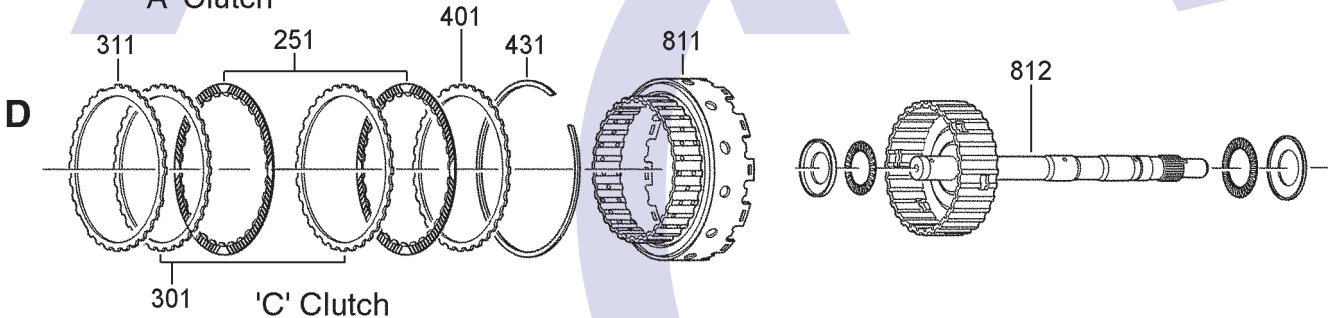
THE AUTOMATIC TRANSMISSION PARTS WAREHOUSE



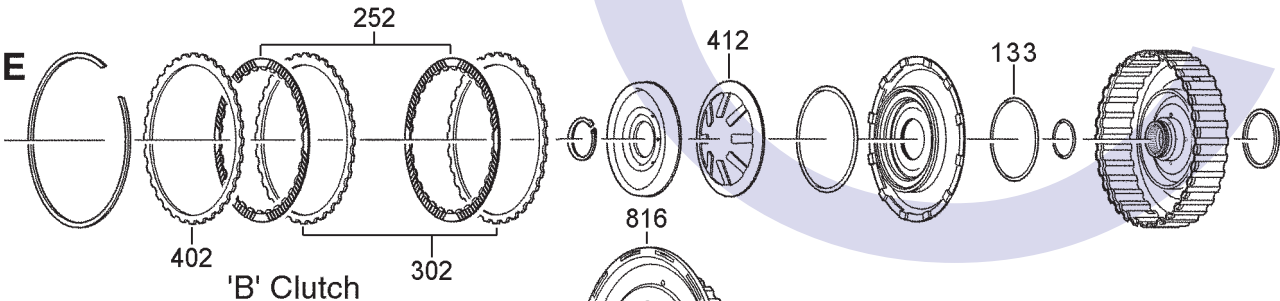
Oil Pump Assy



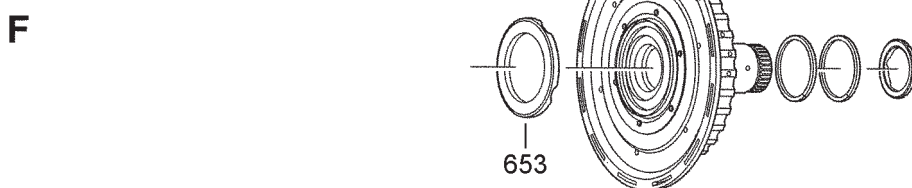
'A' Clutch



'C' Clutch



'B' Clutch



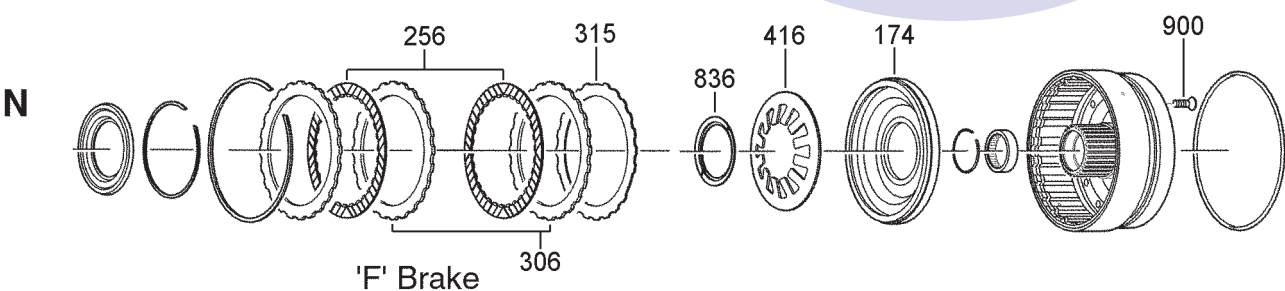
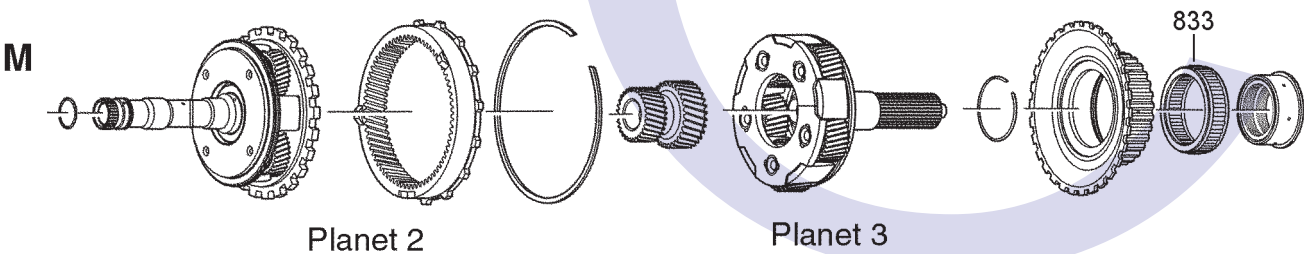
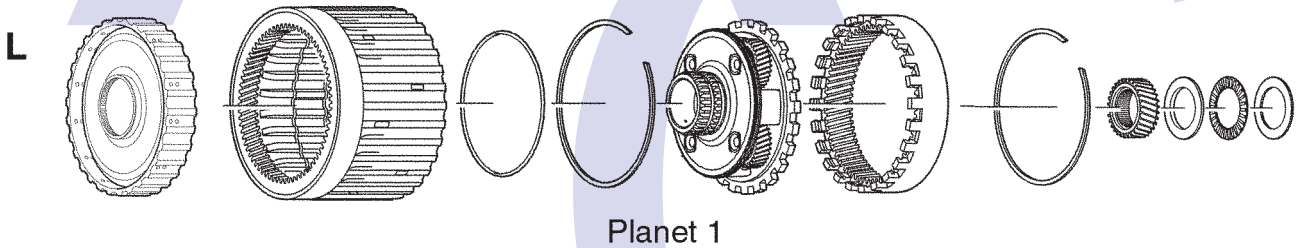
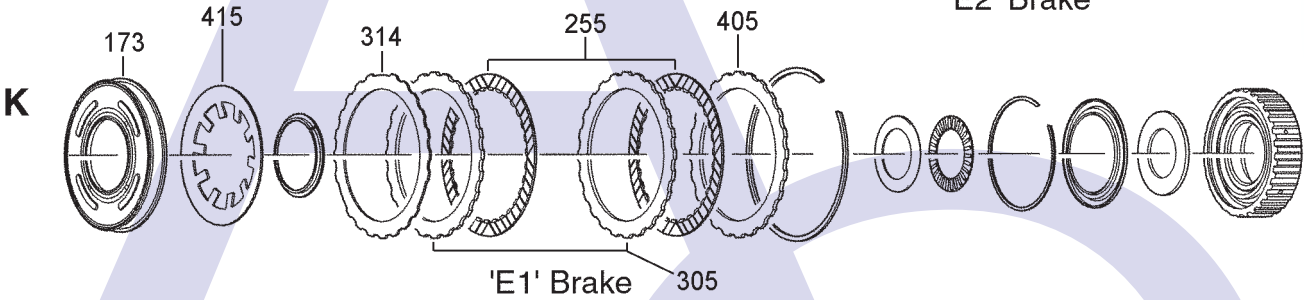
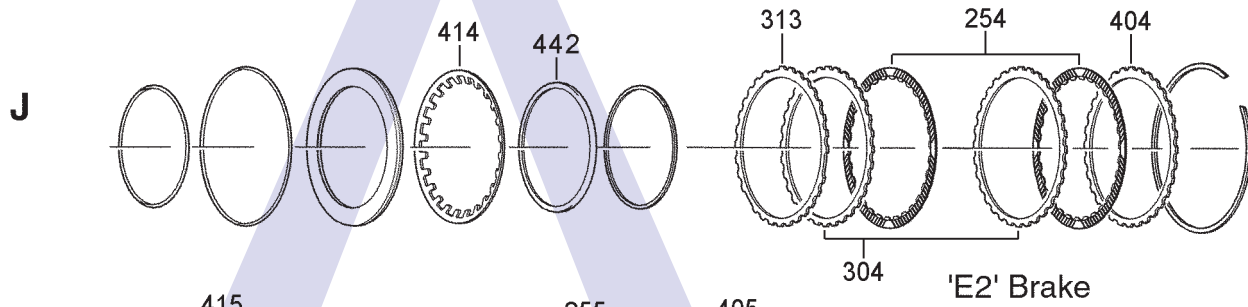
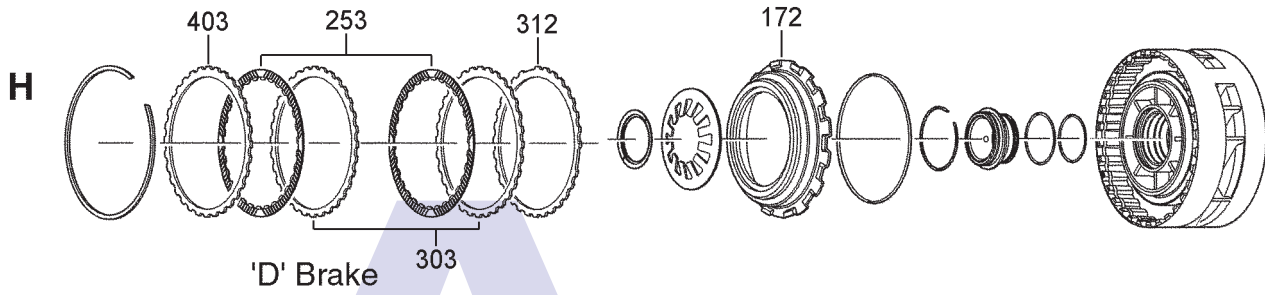
# ZF 5HP30 (BMW, ROLLS ROYCE, BENTLY & ASTON MARTIN) 5 SPEED RWD (Electronic Control) Codes: 1055 000 xxx.



AUTOMATIC CHOICE



THE AUTOMATIC TRANSMISSION PARTS WAREHOUSE



# ZF 5HP30 (BMW, ROLLS ROYCE, BENTLY & ASTON MARTIN) 5 SPEED RWD (Electronic Control) Codes: 1055 000 xxx.

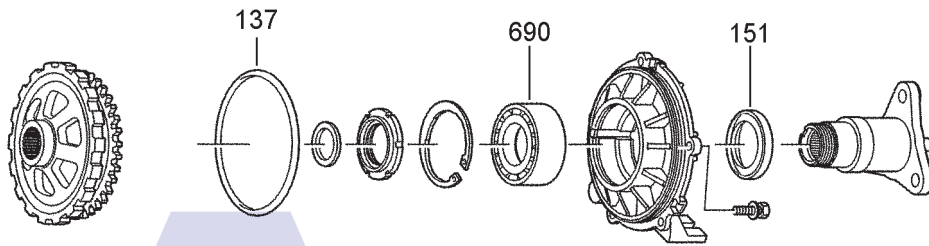


AUTOMATIC CHOICE



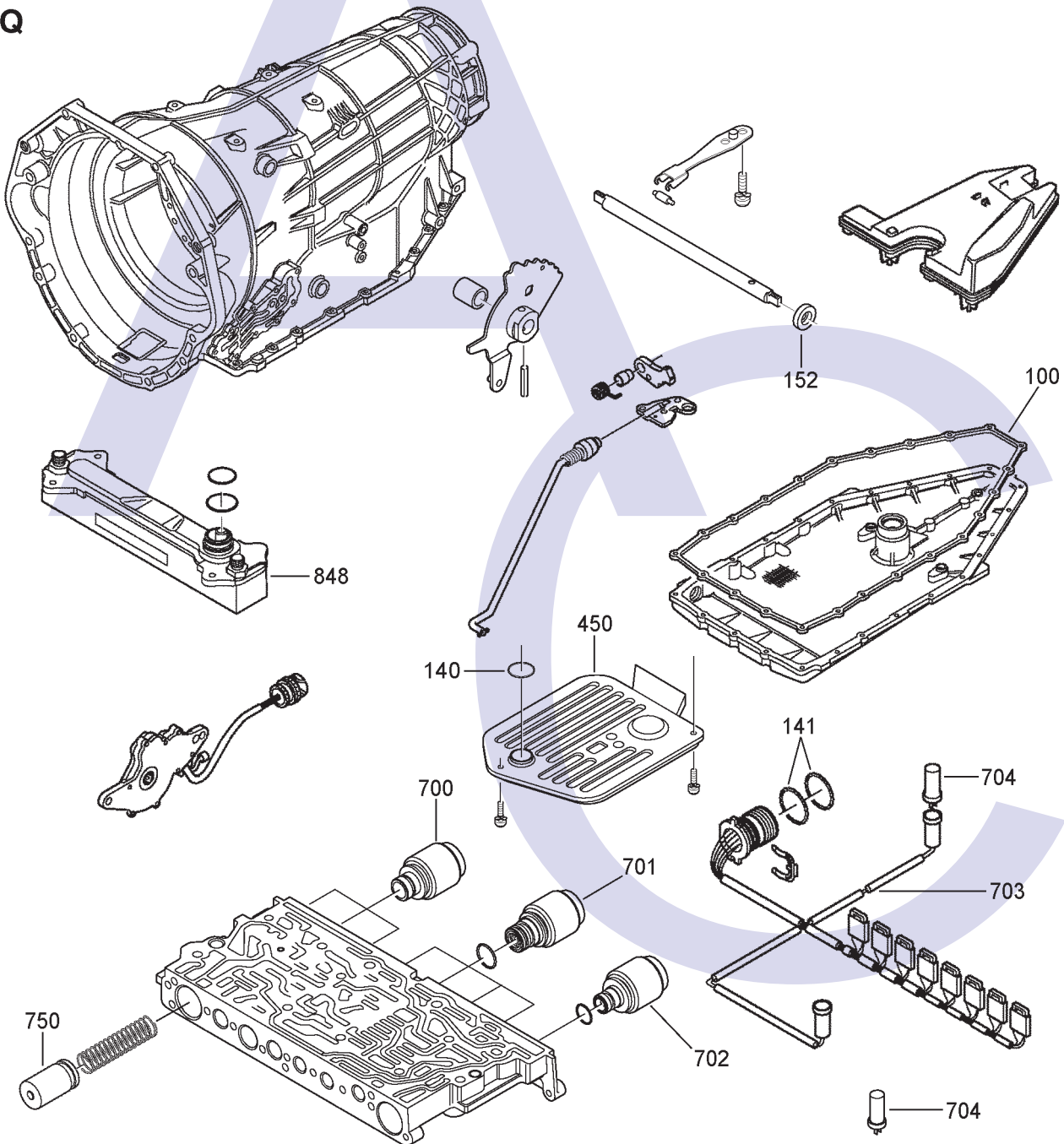
THE AUTOMATIC TRANSMISSION PARTS WAREHOUSE

P



Park Lock & Output Assy

Q





# ZF 5HP30 (BMW, ROLLS ROYCE, BENTLY & ASTON MARTIN) 5 SPEED RWD (Electronic Control) Codes: 1055 000 xxx.



AUTOMATIC CHOICE



THE AUTOMATIC TRANSMISSION PARTS WAREHOUSE

ILL NO.	DESCRIPTION	YEARS	QTY	PART NO
<b>KITS</b>				
Kit	Overhaul Kit (OEM).....	92-ON	1	<b>5HP30.OHK01</b>
Kit	Overhaul Kit (Precision).....	92-ON	1	<b>5HP30.OHK51</b>
<b>Note: Box Code: 010 Replaced By 029</b>				
<b>Box Code: 011 Replaced By 030</b>				
<b>Box Code: 016 Replaced By 031</b>				
<b>Box Code: 017 Replaced By 032</b>				
<b>GASKETS</b>				
100Q	Pan Gasket.....	92-ON	1	<b>5HP30.GAS01</b>
NI	Valve Body Gasket All Except (Code: 1055 000 007).....	92-ON	1	<b>5HP30.GAS02</b>
NI	Valve Body Gasket (Code: 1055 000 007 Only).....	92-ON	1	<b>5HP30.GAS03</b>
NI	Pump Bolt Sealing Washer.....	92-ON	14	<b>5HP18.GAS04</b>
<b>RUBBER COMPONENTS</b>				
120A	Pump Body 'O' Ring.....	92-ON	1	<b>5HP30.OR01</b>
121A	Stator to Case 'O' Ring.....	92-ON	1	<b>5HP30.OR02</b>
133E	'O' Ring, 'B' Clutch Outer (Rear).....	92-ON	1	<b>6HP19.OR01</b>
137P	'O' Ring, Extension to Case.....	92-ON	1	<b>5HP30.OR03</b>
140Q	Filter to V. Body 'O' Ring.....	92-ON	1	<b>5HP18.OR06</b>
141Q	Case Connector 'O' Ring.....	92-ON	2	<b>5HP18.OR03</b>
<b>METAL CLAD SEALS</b>				
150A	Pump Body (OEM).....	92-ON	1	<b>3HP22.MCS01</b>
150A	Pump Body (AM).....	92-ON	1	<b>3HP22.MCS51</b>
151P	Extension Seal.....	92-ON	1	<b>5HP30.MCS02</b>
152Q	Selector Shaft Seal.....	92-ON	1	<b>3HP22.MCS03</b>
<b>MOULDED PISTONS</b>				
172H	'D' Brake Piston.....	92-ON	1	<b>5HP30.PIS04</b>
173K	'E1' Brake Piston.....	92-ON	1	<b>5HP30.PIS03</b>
174N	'F' Brake Piston.....	92-ON	1	<b>5HP30.PIS01</b>
<b>SEALING RINGS</b>				
200A	Stator Tube Rear.....	92-ON	2	<b>5HP30.SSR01</b>
<b>FRICTION PLATES</b>				
Kit	Friction (OEM) All Except Codes: (1055 000 007, 015, 029, 030, 031 & 026).....	92-ON	1	<b>5HP30.FRK02</b>
Kit	Friction (OEM) Codes: (1055 000 007, 015, 029, 030 & 031) Only.....	92-ON	1	<b>5HP30.FRK01</b>
Kit	Friction (OEM) Code: (1055 000 026) Only.....	92-ON	1	<b>5HP30.FRK03</b>
Kit	Friction Plate Kit (Alto).....	92-ON	1	<b>5HP30.FRK51</b>
250C	'A' Clutch (OEM) All Except Codes: (1055 000 007, 015, 029, 030, 031 & 026).....	92-ON	5	<b>5HP24.FRP06</b>
250C	'A' Clutch (OEM) Codes: (1055 000 007, 015, 029, 030 & 031) Only.....	92-ON	5	<b>5HP30.FRP01</b>
250C	'A' Clutch (OEM) Code: (1055 000 026) Only.....	92-ON	5	<b>5HP24.FRP03</b>
251D	'C' Clutch All Except Codes: (1055 000 007, 015, 029, 030, 031 & 026).....	92-ON	3	<b>5HP30.FRP03</b>
251D	'C' Clutch Codes: (1055 000 007, 015, 029, 030 & 031) Only.....	92-ON	3	<b>5HP30.FRP02</b>

ILL NO.	DESCRIPTION	YEARS	QTY	PART NO
<b>FRICTION PLATES Cont...</b>				
252E	'B' Clutch All Except Codes: (1055 000 007, 015, 029, 030, 031 & 026).....	92-ON	5-6	<b>5HP30.FRP03</b>
252E	'B' Clutch Codes: (1055 000 007, 015, 029, 030 & 031) Only.....	92-ON	5-6	<b>5HP30.FRP02</b>
253H	'D' Brake All Except Codes: (1055 000 007, 015, 029, 030, 031 & 026).....	92-ON	5	<b>5HP30.FRP03</b>
253H	'D' Brake Codes: (1055 000 007, 015, 029, 030 & 031) Only.....	92-ON	5	<b>5HP30.FRP02</b>
254J	'E2' Brake All Except Codes: (1055 000 007, 015, 029, 030, 031 & 026).....	92-ON	3	<b>5HP30.FRP03</b>
254J	'E2' Brake Codes: (1055 000 007, 015, 029, 030 & 031) Only.....	92-ON	3	<b>5HP30.FRP02</b>
255K	'E1' Brake All Except Codes: (1055 000 007, 015, 029, 030, 031 & 026).....	92-ON	5-6	<b>5HP24.FRP06</b>
255K	'E1' Brake Codes: (1055 000 007, 015, 029, 030 & 031) Only.....	92-ON	5-6	<b>5HP30.FRP01</b>
255K	'E1' Brake Code: (1055 000 026) Only.....	92-ON	5-6	<b>5HP24.FRP03</b>
256N	'F' Brake All Except Codes: (1055 000 007, 015, 029, 030, 031 & 026).....	92-ON	6	<b>5HP24.FRP06</b>
256N	'F' Brake Codes: (1055 000 007, 015, 029, 030 & 031) Only.....	92-ON	6	<b>5HP30.FRP01</b>
256N	'F' Brake Code: (1055 000 026) Only.....	92-ON	6	<b>5HP24.FRP03</b>
<b>STEEL PLATES</b>				
Kit	Steel Plate Kit.....	92-ON	1	<b>5HP30.STK01</b>
Kit	Steel Plate Kit (Alto).....	92-ON	1	<b>5HP30.STK51</b>
300C	'A' Clutch.....	92-ON	5	<b>5HP30.STP01</b>
301D	'C' Clutch.....	92-ON	3	<b>5HP30.STP02</b>
302E	'B' Clutch.....	92-ON	5-6	<b>5HP30.STP02</b>
303H	'D' Brake.....	92-ON	5	<b>5HP30.STP02</b>
304J	'E2' Brake.....	92-ON	3-4	<b>5HP30.STP02</b>
305K	'E1' Brake.....	92-ON	5-6	<b>5HP30.STP03</b>
306N	'F' Brake.....	92-ON	6	<b>5HP30.STP03</b>
310C	'A' Clutch Waved Plate.....	92-ON	1	<b>5HP30.STP04</b>
311D	'C' Clutch Waved Plate.....	92-ON	1	<b>5HP30.STP05</b>
312H	'D' Brake Waved Plate.....	92-ON	1	<b>5HP30.STP05</b>
313J	'E2' Brake Waved Plate.....	92-ON	1	<b>5HP30.STP05</b>
314K	'E1' Brake Waved Plate.....	92-ON	1	<b>5HP30.STP04</b>
315N	'F' Brake Waved Plate.....	92-ON	1	<b>5HP30.STP04</b>
<b>PRESSURE PLATES</b>				
400C	'A' Clutch Pressure Plate.....	92-ON	1	<b>5HP30.PP02</b>
401D	'C' Clutch Pressure Plate.....	92-ON	1	<b>5HP30.PP01</b>
402E	'B' Clutch Pressure Plate.....	92-ON	1	<b>5HP30.STP02</b>
403H	'D' Brake Pressure Plate.....	92-ON	1	<b>5HP30.STP02</b>
404J	'E2' Brake Pressure Plate.....	92-ON	1	<b>5HP30.STP02</b>
405K	'E1' Brake Pressure Plate.....	92-ON	1	<b>5HP30.STP01</b>

# ZF 5HP30 (BMW, ROLLS ROYCE, BENTLY & ASTON MARTIN) 5 SPEED RWD (Electronic Control) Codes: 1055 000 xxx.



AUTOMATIC CHOICE

ILL NO.	DESCRIPTION	YEARS	QTY	PART NO
<b>SPRINGS &amp; CIRCLIPS</b>				
410B	'A' Clutch Diaphragm Spring.....	92-ON	1	5HP30.DIA01
411C	'C' Clutch Diaphragm Spring.....	92-ON	1	5HP30.DIA02
412E	'B' Clutch Diaphragm Spring.....	92-ON	1	5HP30.DIA03
414J	'E2' Brake Diaphragm Spring....	92-ON	1	5HP30.DIA02
415K	'E1' Brake Diaphragm Spring....	92-ON	1	5HP30.DIA04
416N	'F' Brake Diaphragm Spring.....	92-ON	1	5HP30.DIA05
431D	'C' Clutch Retaining Circlip (3.00mm Thick) .....	92-ON	AR	5HP30.CIR02
	(3.20mm Thick) .....	92-ON	AR	5HP30.CIR05
	(3.40mm Thick) .....	92-ON	AR	5HP30.CIR03
	(3.60mm Thick) .....	92-ON	AR	5HP30.CIR06
	(3.80mm Thick) .....	92-ON	AR	5HP30.CIR07
	(4.00mm Thick) .....	92-ON	AR	5HP30.CIR04
442J	Retainer, 'E2' Brake Diaphragm	92-ON	1	5HP30.RET01
<b>FILTERS</b>				
450Q	Pan Filter.....	92-ON	1	5HP30.FIL01
<b>BUSHINGS</b>				
<b>THRUST WASHERS &amp; SELECTIVES</b>				
653F	Axial Bearing - Sun Shaft.....	92-ON	1	5HP30.TOR01
<b>BEARINGS &amp; RACES</b>				
650A	Pump Body Needle Bearing.....	92-ON	1	5HP30.BE01
690P	Output Shaft Roller Bearing.....	92-ON	1	5HP30.BE02
<b>ELECTRICAL COMPONENTS</b>				
Kit	Valve Body Solenoid Kit (8 Sols) Fits Following Box Codes: (1055 000 007, 010, 011, 015, 016, 017, 026, 029, 030, 031).....	92-ON	1	5HP30.SOL10
Kit	Valve Body Solenoid Kit (8 Sols) Fits Following Box Codes: (1055 000 019, 027, 028, 032, 033, 036, 039, 040, 041, 043, 044, 045, 046)..	92-ON	1	5HP30.SOL11
700Q	Shift Solenoid (On Off).....	92-ON	3	5HP30.SOL02
701Q	Shift Control Solenoid (PWM)...	92-ON	4	5HP30.SOL03
702Q	Main Pressure Control Solenoid Fits Following Box Codes (1055 000 007, 010, 011, 015, 016, 017, 026, 029, 030, 031).....	92-ON	1	5HP30.SOL01
702Q	Main Pressure Control Solenoid Fits Following Box Codes (1055 000 019, 027, 028, 032, 033, 036, 039, 040, 041, 043, 044, 045, 046)..	92-ON	1	4HP20.SOL03
703Q	Valve Body Wiring Loom.....	92-ON	1	5HP20.ELE01
704Q	Speed Sensor (Inductive) .....	92-ON	2	4HP22.ELE01

ILL NO.	DESCRIPTION	YEARS	QTY	PART NO
<b>VALVE BODY PARTS</b>				
750Q	Damper Piston (Fwd/Rev) (Updated Plastic) ('A' & 'C').....	97-ON	1	5HP24.ACC01
NI	Housing, Lower Front (One With Manual Valve) (Fits Codes 1055 000 028, 036, 039, 043, 044, 045, 046) .....	92-ON	1	5HP24.VB01
NI	Housing, Lower Front (One With Manual Valve) (Fits Codes 1055 000 019, 026, 027, 032, 033, 040, 041) .....	92-ON	1	5HP24.VB02
NI	Centre "Duct Plate" .....	92-ON	1	5HP30.VB02
NI	Valve Body Rebuild Kit.....	92-ON	1	5HP30.VBK01
NI	Main Pressure Control Valve .....	92-ON	1	5HP30.VA01
NI	Spring, Pressure Regulator.....	92-ON	1	5HP24.SPR02
NI	Spring Accumulator Valve .....	92-ON	4	5HP30.SPR01
NI	Orifice Plate 9In Vave Body) (1.00mm).....	92-ON	AR	4HP18.VA03
	(1.50mm).....	92-ON	AR	4HP18.VA05
<b>HARDWARE</b>				
800A	Pump Body & Gears .....	92-ON	1	5HP30.PUM01
801A	Inner Pump Gear .....	92-ON	1	5HP30.PUM02
802A	Stator Support Assembly .....	92-ON	1	5HP30.SUP01
806B	'A'/'C' Clutch Drum (*See Note)	92-ON	1	5HP30.DRU01
807B	'A' Clutch Piston .....	92-ON	1	5HP30.PIS05
808B	'A' Clutch Damper .....	92-ON	1	5HP30.PIS06
810C	Piston 'C' Clutch.....	92-ON	1	5HP30.PIS02
811D	Disc Carrier 'C' Clutch.....	92-ON	1	5HP30.DRU02
812D	Intermediate Shaft.....	92-ON	1	5HP30.HUB01
816F	Sun Gear Shaft .....	92-ON	1	5HP30.SH01
833M	Rear Sprag (Low).....	92-ON	1	5HP30.OWC01
836N	Ret. Collet 'F' Brake Diaphragm	92-ON	1	5HP24.RET06
848Q	Oil Cooler, (Fits Codes 1055 000 007, 015, 019, 029, 036) .....	92-ON	1	5HP30.CO01
<p><b>*Note:</b> On early models the 'A'/'C' Clutch has been modified to the one listed above Part No, 5HP30.DRU01, when fitting this later drum to early units, it is necessary to replace the 'C' Brake pressure plate with the later stepped one, Part No. 5HP30.PP01.</p>				
<b>SPECIAL ITEMS</b>				
900N	'F' Brake Retaining Screw.....	92-ON	12	5HP30.NUT01
LifeGuardFluid5 Transmission Fluid (Use on Transmissions with Green Type Plate)				
NI	LifeGuardFluid5 x 1Ltr Bottle (Esso LT71141).....	91-ON	AR	OIL.50
NI	LifeGuardFluid5 x 20Ltr Canister (Esso LT71141).....	91-ON	AR	OIL.51
NI	LifeGuardFluid5 x 209Ltr Drum (Esso LT71141).....	91-ON	AR	OIL.52
<p><b>Note:</b> for BMW transmissions with a black type plate it is recommended that only Shell LA 2634 fluid be used, this is available from BMW in 5 Ltr Packs under part number 83 22 9 407 765.</p>				
<b>MANUALS &amp; SPECIAL TOOLS</b>				
NI	Repair Manual (OEM) (Special Order Item).....	92-ON		5HP30.MAN01
NI	Repair Manual (ATSG/ZF) .....	92-ON		5HP30.MAN02
<p><a href="#">Click here to view special tools for this transmission</a></p>				



THE AUTOMATIC TRANSMISSION PARTS WAREHOUSE