

# ZF 5HP19 (BMW) Transmission Code: 1060 000 xxx

## 5 SPEED RWD (Full Electronic Control)

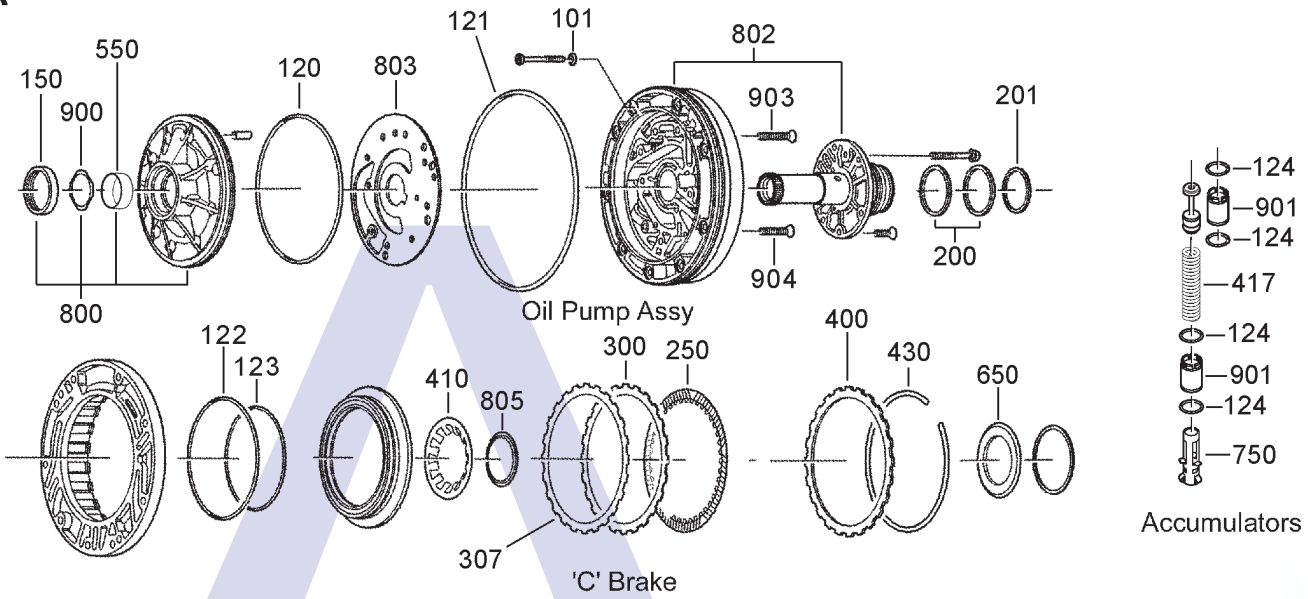


AUTOMATIC CHOICE

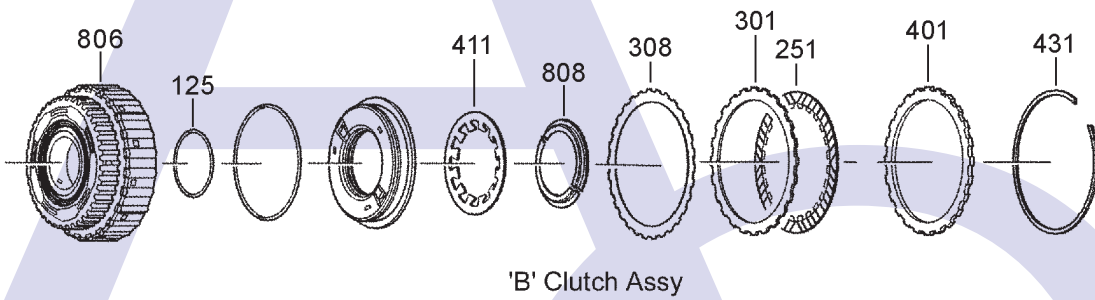


THE AUTOMATIC TRANSMISSION PARTS WAREHOUSE

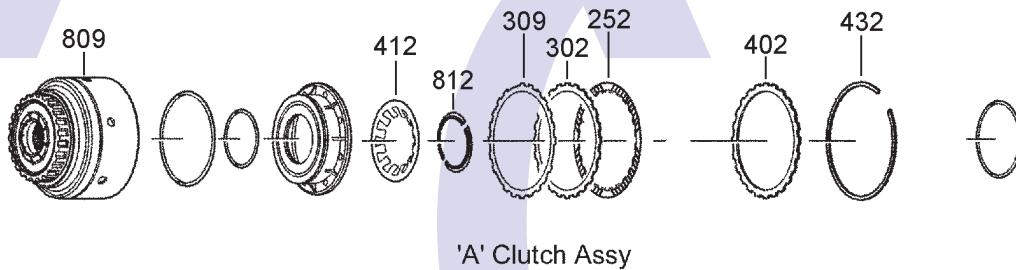
**A**



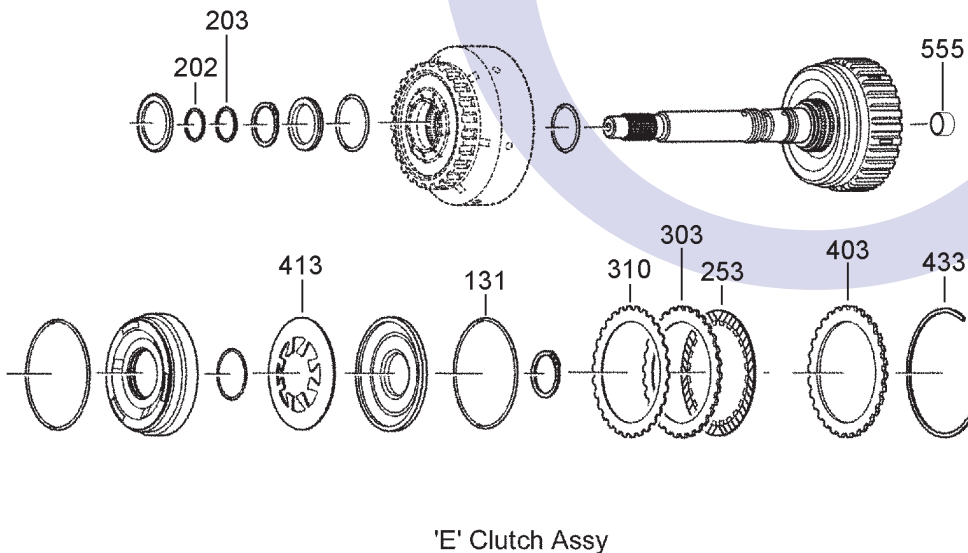
**B**



**C**



**D**



# ZF 5HP19 (BMW) Transmission Code: 1060 000 xxx

## 5 SPEED RWD (Full Electronic Control)

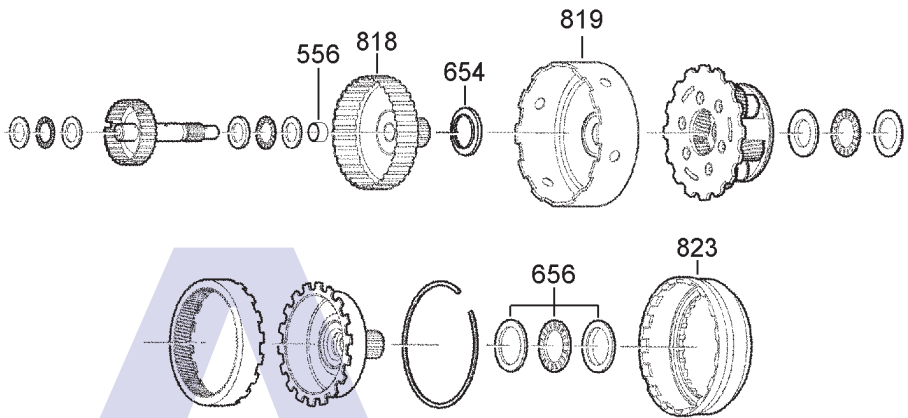


AUTOMATIC CHOICE



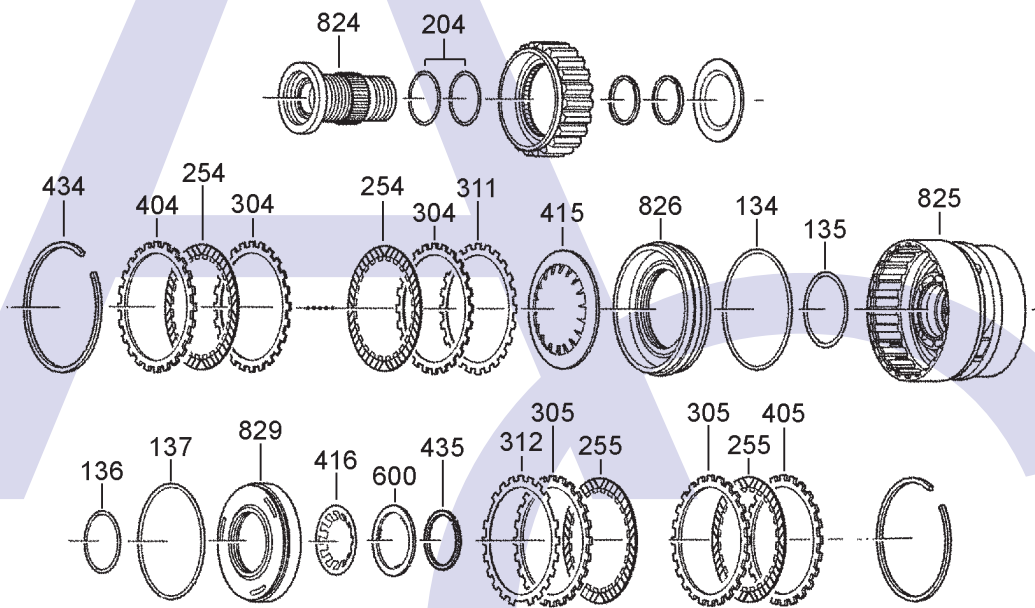
THE AUTOMATIC TRANSMISSION PARTS WAREHOUSE

E



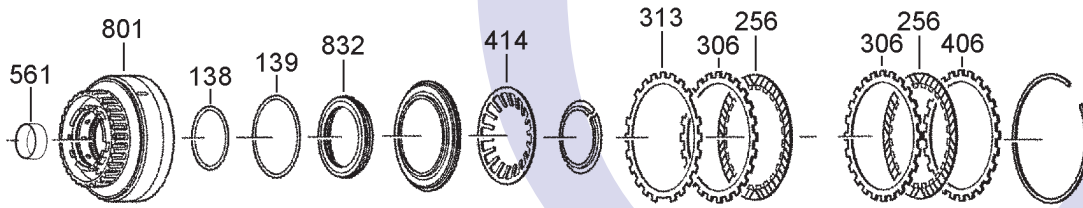
Front Planetary Assy

F



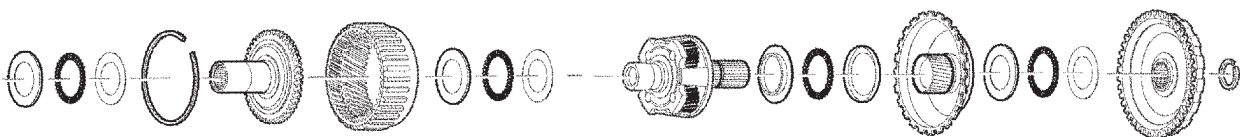
'D' & 'G' Brake Assy

G



'F' Clutch Assy

H



Rear Planetary Assy

# ZF 5HP19 (BMW) Transmission Code: 1060 000 xxx

## 5 SPEED RWD (Full Electronic Control)

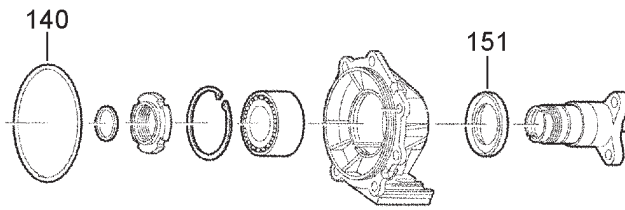


AUTOMATIC CHOICE



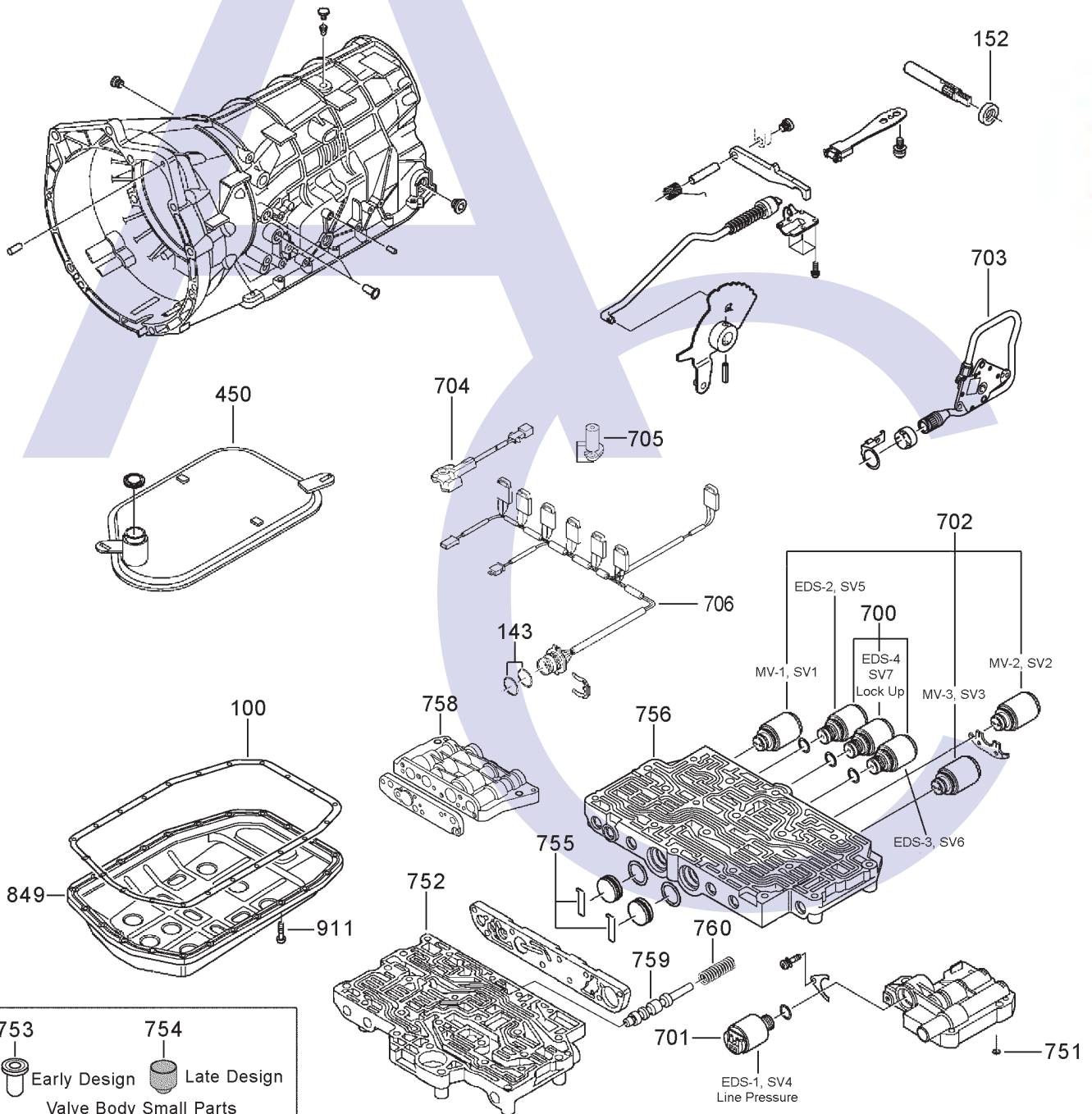
THE AUTOMATIC TRANSMISSION PARTS WAREHOUSE

J



Output Flange Assy

K



753	754
Valve Body Small Parts	



# ZF 5HP19 (BMW) Transmission Code: 1060 000 xxx

## 5 SPEED RWD (Full Electronic Control)



AUTOMATIC CHOICE



THE AUTOMATIC TRANSMISSION PARTS WAREHOUSE

ILL NO.	DESCRIPTION	YEARS	QTY	PART NO
<b>KITS</b>				
Kit	Overhaul Kit BMW (OEM).....	All	1	5HP19.OHK01
<b>GASKETS</b>				
100K	Pan Gasket .....	All	1	5HP19.GAS01
101A	Pump Bolt Sealing Washer .....	All	9	5HP18.GAS04
NI	Valve Body Gasket (OEM) .....	All	1	5HP19.GAS02
NI	Valve Body Gasket (Precision) . All		1	5HP19.GAS52
<b>RUBBER COMPONENTS</b>				
120A	Pump to Stator 'O' Ring .....	All	1	5HP19.OR01
121A	Stator to Case 'O' Ring .....	All	1	5HP18.OR02
122A	'O' Ring, 'C' Brake Outer .....	All	1	5HP19.OR11
123A	'O' Ring, 'C' Brake Inner .....	All	1	5HP18.OR05
124A	'O' Ring, Accumulator Piston.....	All	4	5HP19.OR05
125B	'O' Ring, 'B' Clutch Inner .....	All	1	5HP19.OR08
131D	'O' Ring, 'E' Clutch Damper.....	All	1	5HP19.OR09
134F	'O' Ring, 'D' Clutch Outer .....	All	1	5HP19.OR11
135F	'O' Ring, 'D' Clutch Inner .....	All	1	5HP19.OR12
136F	'O' Ring, 'G' Brake Inner .....	All	1	5HP19.OR08
137F	'O' Ring, 'G' Brake Outer .....	All	1	5HP19.OR07
138G	'O' Ring, 'F' Brake Inner .....	All	1	5HP19.OR09
139G	'O' Ring, 'F' Clutch Outer.....	All	1	5HP19.OR08
140J	'O' Ring, Extension to Case .....	All	1	6HP26.OR01
143K	Case Connector 'O' Ring .....	All	2	5HP18.OR03
<b>METAL CLAD SEALS</b>				
150A	Converter Seal .....	All	1	4HP18.MCS01
151J	Extension Seal (52mm x 68mm x 6mm) .....	All	1	5HP19.MCS02
152K	Selector Shaft Seal (10mm x 18mm x 5mm) .....	All	1	3HP22.MCS03
<b>MOULDED PISTONS</b>				
<b>SEALING RINGS</b>				
200A	Stator Support (Large) .....	All	2	5HP19.SSR01
201A	Stator Support (Small) .....	All	1	5HP19.SSR02
202D	Input Shaft Front (Small).....	All	1	5HP19.SSR03
203D	Input Shaft Rear .....	All	1	5HP18.SSR04
204F	'D'/'G' Carrier.....	All	2	5HP18.SSR06
<b>FRICITION PLATES</b>				
Kit	Friction Kit .....	All	1	5HP19.FRK01
Kit	Friction Kit (Alto) .....	All	1	5HP19.FRK51
250A	Friction Plate 'C' Brake.....	All	3-4	5HP19.FRP02
250A	Friction Plate 'C' Brake (Alto) ....	All	3-4	5HP19.FRP53
251B	Friction Plate 'B' Clutch .....	All	2	5HP19.FRP01
251B	Friction Plate 'B' Clutch (Alto) ...	All	2	5HP19.FRP52
252C	Friction Plate 'A' Clutch .....	All	4-5	5HP19.FRP03
252C	Friction Plate 'A' Clutch (Alto) ...	All	4-5	5HP19.FRP51
253D	Friction Plate 'E' Clutch .....	All	4-5	5HP19.FRP04
253D	Friction Plate 'E' Clutch (Alto) ...	All	4-5	5HP19.FRP54
254F	Friction Plate 'D' Brake.....	All	5-6	4HP18.FRP02
254F	Friction Plate 'D' Brake (Alto) ....	All	5-6	5HP19.FRP51
255F	Friction Plate 'G' Brake .....	All	3-4	5HP19.FRP05
255F	Friction Plate 'G' Brake (Alto)....	All	3-4	5HP19.FRP55

ILL NO.	DESCRIPTION	YEARS	QTY	PART NO
<b>FRICITION PLATES Cont...</b>				
256G	Friction Plate 'F' Clutch .....	All	4-5	5HP19.FRP05
256G	Friction Plate 'F' Clutch (Alto)....	All	4-5	5HP19.FRP55
<b>STEEL PLATES</b>				
Kit	Steel Plate Kit .....	All	1	5HP19.STK01
300A	'C' Brake Codes (1060 000 004, 005, 006, 008, 009, 011) .....	All	3	5HP19.STP01
300A	'C' Brake Codes (1060 000 007 & 1060 000 010) .....	All	4	4HP20.PP06
301B	'B' Clutch .....	All	2	5HP19.STP04
302C	'A' Clutch .....	All	4-5	5HP19.STP02
303D	'E' Clutch .....	All	4-5	5HP19.STP05
304F	'D' Brake.....	All	5-6	5HP19.STP02
305F	'G' Brake .....	All	3-4	5HP19.STP07
306G	'F' Clutch .....	All	4-5	5HP19.STP03
307A	'C' Brake Waved Steel .....	All	1	5HP19.STP10
308B	'B' Clutch Waved Steel.....	All	1	5HP19.STP11
309C	'A' Clutch Waved Steel.....	All	1	4HP18.STP03
310D	'E' Clutch Waved Steel.....	All	1	5HP19.STP13
311F	'D' Brake Waved Steel .....	All	1	5HP19.STP15
312F	'G' Brake Waved Steel .....	All	1	5HP19.STP14
313G	'F' Clutch Waved Steel.....	All	1	5HP19.STP14
<b>PRESSURE PLATES</b>				
400A	Pressure Plate 'C' Brake (4.00mm).....	All	1	5HP19.PP01
401B	Pressure Plate 'B' Clutch .....	All	1	5HP19.PP02
402C	Pressure Plate 'A' Clutch .....	All	1	5HP19.PP03
403D	Pressure Plate 'E' Clutch .....	All	1	5HP19.PP04
404F	Pressure Plate 'D' Brake.....	All	1	5HP19.PP03
405F	Pressure Plate 'G' Brake.....	All	1	5HP19.PP06
406G	Pressure Plate 'F' Brake .....	All	1	5HP19.STP03
<b>SPRINGS &amp; CIRCLIPS</b>				
410A	Diaphragm Spring 'C' Brake.....	All	1	5HP19.DIA01
411B	Diaphragm Spring 'B' Clutch .....	All	1	5HP19.DIA02
412C	Diaphragm Spring 'A' Clutch .....	All	1	5HP19.DIA03
413D	Diaphragm Spring 'E' Clutch .....	All	1	5HP19.DIA04
414G	Diaphragm Spring 'F' Clutch .....	All	1	5HP19.DIA05
415F	Diaphragm Spring 'D' Brake.....	All	1	5HP19.DIA06
416F	Diaphragm Spring 'G' Brake .....	All	1	5HP19.DIA07
417A	Spring, Accumulator in Stator ...	All	1	5HP19.SPR01
430A	Circlip - 'C' Brake Retaining (2.80mm)		AR	5HP19.CIR01
430A	Circlip - 'C' Brake Retaining (2.60mm)		AR	5HP19.CIR02
430A	Circlip - 'C' Brake Retaining (2.40mm)		AR	5HP19.CIR03
430A	Circlip - 'C' Brake Retaining (2.20mm)		AR	5HP19.CIR04
430A	Circlip - 'C' Brake Retaining (2.00mm)		AR	5HP19.CIR05
430A	Circlip - 'C' Brake Retaining (1.80mm)		AR	5HP19.CIR06
430A	Circlip - 'C' Brake Retaining (1.60mm)		AR	5HP19.CIR07
430A	Circlip - 'C' Brake Retaining (1.40mm)		AR	5HP19.CIR08
431B	Circlip - 'B' Clutch Retaining (2.00mm)		AR	5HP19.CIR09
431B	Circlip - 'B' Clutch Retaining (1.80mm)		AR	5HP19.CIR10
431B	Circlip - 'B' Clutch Retaining (1.60mm)		AR	5HP19.CIR11
431B	Circlip - 'B' Clutch Retaining (1.40mm)		AR	5HP19.CIR12
431B	Circlip - 'B' Clutch Retaining (1.20mm)		AR	5HP19.CIR13
431B	Circlip - 'B' Clutch Retaining (1.00mm)		AR	5HP19.CIR14
432C	Circlip - 'A' Clutch Retaining (2.80mm)		AR	5HP19.CIR15
432C	Circlip - 'A' Clutch Retaining (2.60mm)		AR	5HP19.CIR16
432C	Circlip - 'A' Clutch Retaining (2.40mm)		AR	5HP19.CIR17
432C	Circlip - 'A' Clutch Retaining (2.20mm)		AR	5HP19.CIR18

# ZF 5HP19 (BMW) Transmission Code: 1060 000 xxx

## 5 SPEED RWD (Full Electronic Control)



AUTOMATIC CHOICE



THE AUTOMATIC TRANSMISSION PARTS WAREHOUSE

ILL NO.	DESCRIPTION	YEARS	QTY	PART NO
<b>SPRINGS &amp; CIRCLIPS Cont...</b>				
432C	Circlip - 'A' Clutch Retaining (2.00mm)		AR	<b>5HP19.CIR19</b>
432C	Circlip - 'A' Clutch Retaining (1.80mm)		AR	<b>5HP19.CIR20</b>
432C	Circlip - 'A' Clutch Retaining (1.60mm)		AR	<b>5HP19.CIR21</b>
432C	Circlip - 'A' Clutch Retaining (1.40mm)		AR	<b>5HP19.CIR22</b>
432C	Circlip - 'A' Clutch Retaining (1.20mm)		AR	<b>5HP19.CIR23</b>
432C	Circlip - 'A' Clutch Retaining (1.00mm)		AR	<b>5HP19.CIR24</b>
433D	Circlip - 'E' Clutch Retaining (2.80mm)		AR	<b>5HP19.CIR25</b>
433D	Circlip - 'E' Clutch Retaining (2.60mm)		AR	<b>5HP19.CIR26</b>
433D	Circlip - 'E' Clutch Retaining (2.40mm)		AR	<b>5HP19.CIR27</b>
433D	Circlip - 'E' Clutch Retaining (2.20mm)		AR	<b>5HP19.CIR28</b>
433D	Circlip - 'E' Clutch Retaining (2.00mm)		AR	<b>5HP19.CIR29</b>
433D	Circlip - 'E' Clutch Retaining (1.80mm)		AR	<b>5HP19.CIR30</b>
433D	Circlip - 'E' Clutch Retaining (1.60mm)		AR	<b>5HP19.CIR31</b>
433D	Circlip - 'E' Clutch Retaining (1.50mm)		AR	<b>5HP19.CIR32</b>
433D	Circlip - 'E' Clutch Retaining (1.40mm)		AR	<b>5HP19.CIR33</b>
433D	Circlip - 'E' Clutch Retaining (1.20mm)		AR	<b>5HP19.CIR34</b>
433D	Circlip - 'E' Clutch Retaining (1.00mm)		AR	<b>5HP19.CIR35</b>
434F	Circlip - 'D' Brake Retaining (4.20mm)		AR	<b>5HP19.CIR36</b>
434F	Circlip - 'D' Brake Retaining (4.00mm)		AR	<b>5HP19.CIR37</b>
435F	'G' Brake Thrust Ret Circlip..... All		1	<b>5HP18.CIR02</b>
<b>FILTERS</b>				
450K	Pan Filter..... All		1	<b>5HP19.FIL01</b>
450K	Pan Filter (OEM)..... All		1	<b>5HP19.FIL10</b>
NI	Valve Body Oil Screen ..... All		1	<b>5HP19.FIL04</b>
<b>BUSHINGS</b>				
550A	Pump Body Bush (Oversize OD) (Pump requires machining) (Sonnax@ <a href="#">Click here for Info</a> ) ... All		1	<b>5HP19.BUS01</b>
550A	Pump Body Bush (Oversize OD & Undersize ID) (Pump requires machining & Bush requires machining after fitting to fit converter neck) (Sonnax@ <a href="#">Click here for Info</a> ) .. All		1	<b>5HP19.BUS02</b>
555D	Bushing, 'E' Clutch Rear (15mm OD x 12mm ID x 10.20mm) ..... All		1	<b>5HP19.BUS03</b>
556E	Bushing, Sun Gear Shaft (15mm OD x 12mm ID x 10.20mm) ..... All		1	<b>5HP19.BUS03</b>
561G	'F' Clutch Drum (Bronze)..... All		1	<b>5HP18.BUS05</b>
561G	'F' Clutch Drum (Sonnax)..... All		1	<b>5HP18.BUS07</b>
<b>THRUST WASHERS &amp; BEARINGS</b>				
600F	'G' Brake Thrust Plate ..... All		1	<b>5HP18.THW01</b>
650A	Bearing Radial, Rear of Stator Support..... All		1	<b>5HP19.TOR01</b>
654E	Bearing Radial, Sun Gear Shaft to Sun Gear Shell..... All		1	<b>5HP19.BE04</b>
656E	Bearing Kit, Shaft to Carrier ..... All		1	<b>5HP18.TK05</b>
<b>ELECTRICAL COMPONENTS</b>				
Kit	Solenoid Set (All Solenoids) .... All		1	<b>5HP19.SOL10</b>
700K	Solenoid (PWM)..... All		3	<b>5HP19.SOL01</b>
701K	Solenoid Main Pressure Reg .... All		1	<b>5HP19.SOL02</b>
702K	Solenoid Shift (On Off)..... All		3	<b>5HP19.SOL03</b>
703K	Range Switch..... All		1	<b>5HP19.ELE02</b>
704K	Turbine Speed Sensor (Hall Effect) ..... All		1	<b>5HP19.ELE03</b>
705K	Output Speed Sensor (Inductive) (Fits on Valve Body)..... All		1	<b>5HP18.ELE01</b>
706K	Valve Body Loom ..... All		1	<b>5HP19.ELE09</b>

ILL NO.	DESCRIPTION	YEARS	QTY	PART NO
<b>VALVE BODY PARTS</b>				
750A	Valve Sleeve (Fitted in Oil Pump)..... All		1	<b>5HP19.VA01</b>
751K	Orifice Disc/Valve (Pressure Reg Body) ..... All		1	<b>5HP19.VA07</b>
752K	Lower Front Valve Housing..... All		1	<b>5HP19.VB03</b>
753K	Damper Plug (Rubber) (Early Design) ..... All		3	<b>5HP19.ACC01</b>
754K	Damper Plug (Aluminium) (Late Design) ..... All		3	<b>5HP19.ACC02</b>
755K	Retainer Valve Body End Plug.. All		2	<b>5HP19.RET03</b>
756K	Lower Rear Valve Housing ..... All		1	<b>5HP19.VB04</b>
758K	Valve Body Housing, Upper Front (Codes: <b>1060 000 006, 010</b> ) ..... All		1	<b>5HP19.VB11</b>
758K	Valve Body Housing, Upper Front (Codes: <b>1060 000 004, 005, 007, 008, 009, 011</b> ) ..... All		1	<b>5HP19.VB14</b>
759K	Valve Pressure Regulator ..... All		1	<b>5HP19.VA09</b>
760K	Spring, Pressure Regulator..... All		1	<b>5HP19.SPR03</b>
Kit	Pressure Regulator Valve (Late E18.2 Valve Body) (Requires Toolkit 5HP19.VA05) (Sonnax@ <a href="#">Click Here for Info</a> )... All		1	<b>5HP19.VA04</b>
Kit	Toolkit for 5HP19.VA04 (Sonnax@)..... All		1	<b>5HP19.VA05</b>
NI	Accumulator Piston (Fit in V. Body) ( 'E' & 'F' )..... All		2	<b>5HP18.VA03</b>
NI	'F' Accumulator Spring (Codes 1060 000 004, 005, 006, 007, 008, 009, 010, 011) ..... All		1	<b>4HP14.SPR23</b>
NI	'E' Accumulator Spring (Codes 1060 000 004, 005, 006, 007, 008, 009, 010, 011) ..... All		1	<b>4HP14.SPR24</b>
NI	Accumulator Piston (Fits in V. Body) (Modified Plastic) ('A' & 'D')..... All		1	<b>5HP24.ACC01</b>
NI	Valve Body Oil Screen ..... All		1	<b>5HP19.FIL04</b>
NI	Orifice Plate 9In Vave Body) (1.00mm)..... All		AR	<b>4HP18.VA03</b>
NI	(1.40mm)..... All		AR	<b>4HP18.VA04</b>
NI	Accumulator Piston (Small Fits in Duct Plate) ..... All		3	<b>5HP24.VA06</b>
<b>HARDWARE</b>				
800A	Short Pump Assy ..... All		1	<b>5HP19.PUM02</b>
801G	'F' Clutch Cylinder (5 Plate) (Codes <b>1060 000 005, 006, 007, 009, 010, 011</b> ) ..... All		1	<b>5HP19.DRU04</b>
801G	'F' Clutch Cylinder (4 Plate) (Codes <b>1060 000 004 &amp; 008</b> ).... All		1	<b>5HP19.DRU05</b>
802A	Pump Stator & Plate ..... All		1	<b>5HP19.SUP02</b>
803A	Pump Wear Plate..... All		1	<b>5HP19.SP02</b>
805A	Retainer, 'C' Brake Diaphragm.. All		1	<b>5HP19.RET04</b>
806B	'B' Clutch Cylinder..... All		1	<b>5HP19.DRU11</b>
808B	Retainer, 'B' Clutch Diaphragm. All		1	<b>5HP19.RET04</b>
809C	'A' Clutch Cylinder..... All		1	<b>5HP19.DRU07</b>
812C	Retainer 'A' Clutch ..... All		1	<b>5HP19.RET01</b>
818E	Sun Gear Shaft ..... All		1	<b>5HP19.SH01</b>
819E	Drive Shell/Sun Gear (Fits <b>1060 000 007</b> Only) ..... All		1	<b>5HP19.POT01</b>
823E	Spider CL.Bell ..... All		1	<b>5HP19.PL01</b>
824F	Carrier & OWC Inner..... All		1	<b>5HP19.OWC02</b>
825F	'D'/'G' Drum 5/3 Plates (Codes <b>1060 000 004 &amp; 008</b> ..... All		1	<b>5HP18.DRU03</b>
825F	'D'/'G' Drum 6/4 Plates (Except Codes <b>1060 000 004 &amp; 008</b> )		1	<b>5HP18.DRU02</b>
826F	'D' Brake (aluminium)..... All		1	<b>5HP18.PIS03</b>
829F	Piston 'G' Brake (aluminium)..... All		1	<b>5HP19.PIS02</b>
832G	Piston 'F' Clutch ..... All		1	<b>5HP19.PIS01</b>
849K	Oil Pan ..... All		1	<b>5HP19.PAN02</b>

# ZF 5HP19 (BMW) Transmission Code: 1060 000 xxx

## 5 SPEED RWD (Full Electronic Control)



AUTOMATIC CHOICE



THE AUTOMATIC TRANSMISSION PARTS WAREHOUSE

ILL NO.	DESCRIPTION	YEARS	QTY	PART NO
<b>SPECIAL ITEMS</b>				
900A	Washer - Oil Dam (Fits Behind T.C. Seal) .....	All	1	<b>5HP19.THW01</b>
901A	Sealing Tube (Pump Stator).....	All	2	<b>5HP19.TU01</b>
903A	Bolt, Pump to Stator (48mm) ....	All	1	<b>5HP19.NUT04</b>
<b>SPECIAL ITEMS Cont...</b>				
904A	Bolt, Pump to Stator (40mm) ....	All	8	<b>5HP19.NUT03</b>
911K	Bolt, Oil Pan to Case.....	All	22	<b>5HP19.NUT06</b>
NI	Repair Manual (OEM).....	All		<b>5HP19.MAN01</b>
NI	Factory Repair Manual (ATSG). All			<b>5HP19.MAN03</b>
NI	LifeGuardFluid5 x 1Ltr Bottle (Esso LT71141) .....	All	AR	<b>OIL.50</b>
NI	LifeGuardFluid5 x 20Ltr Canister (Esso LT71141) .....	All	AR	<b>OIL.51</b>
NI	LifeGuardFluid5 x 209Ltr Drum (Esso LT71141) .....	All	AR	<b>OIL.52</b>
<b>MANUALS &amp; SPECIAL TOOLS</b>				
<a href="#">Click here to view special tools for this transmission</a>				

ILL NO.	DESCRIPTION	YEARS	QTY	PART NO
---------	-------------	-------	-----	---------