

ZF 5HP18 Code: 1056 000 xxx

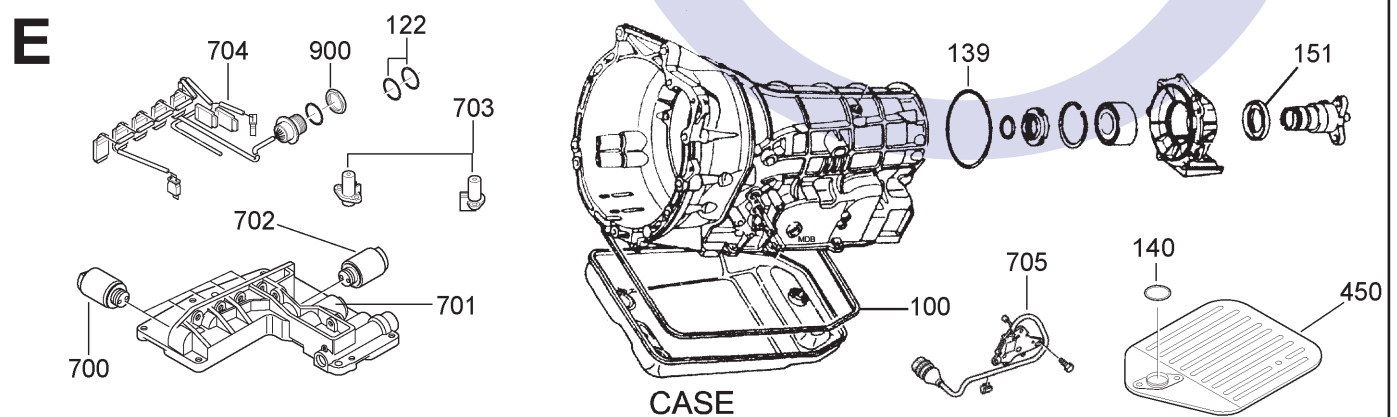
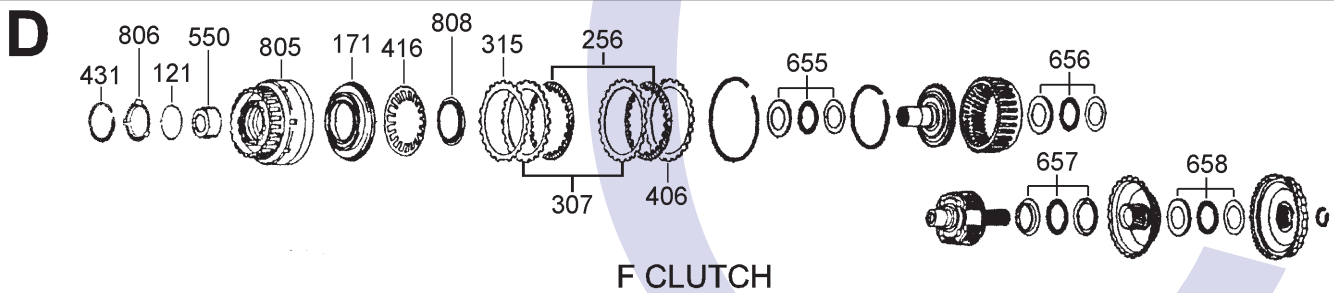
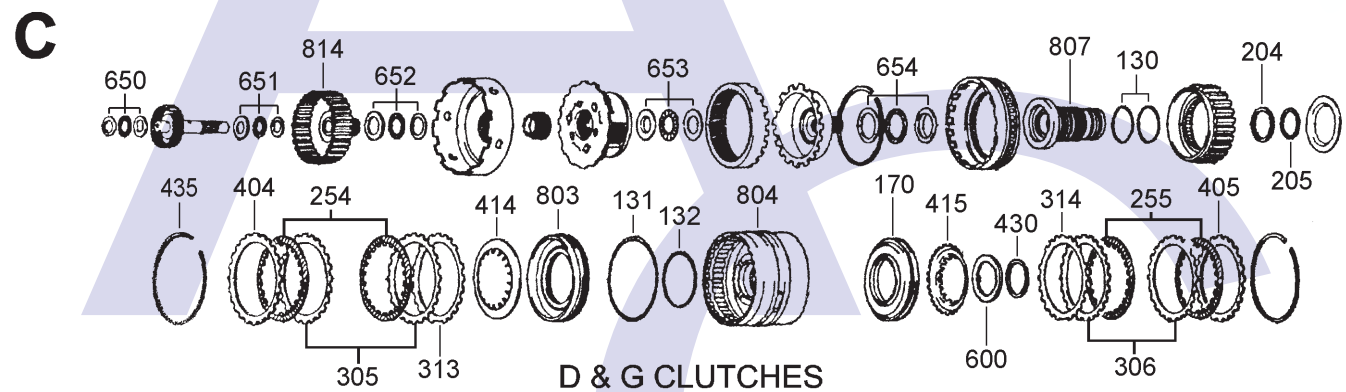
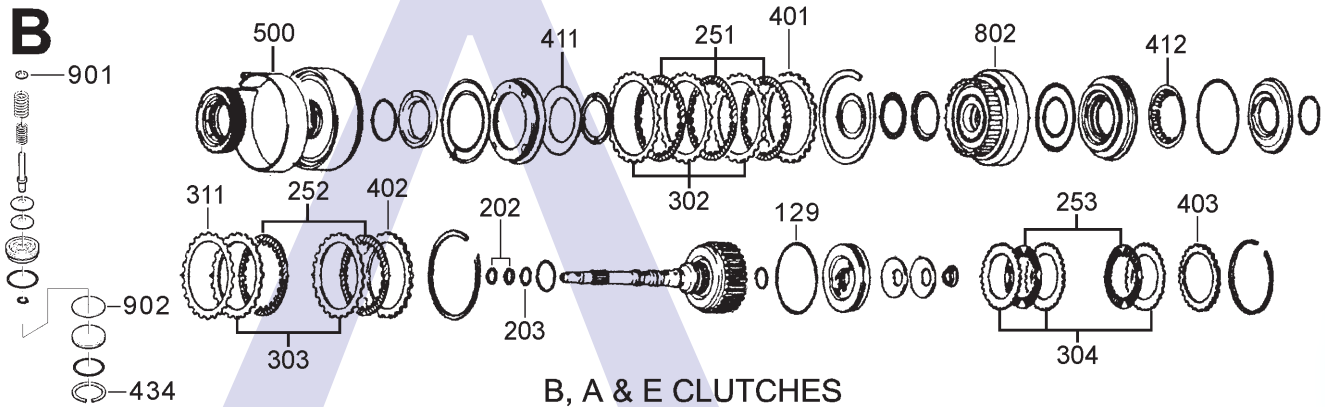
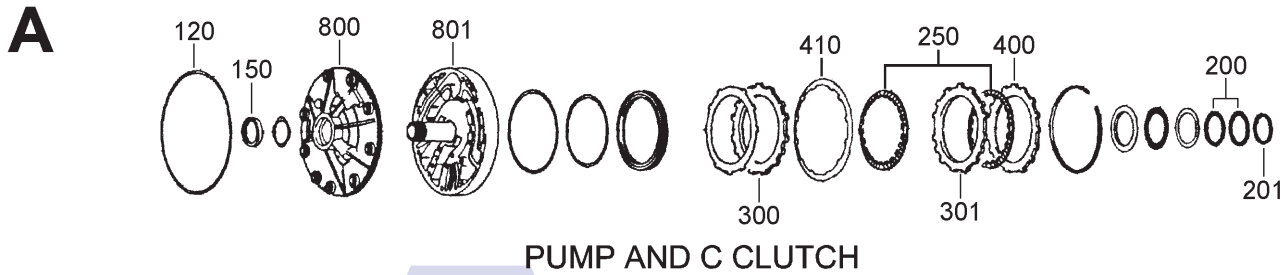
5 SPEED RWD (Electronic Control)



AUTOMATIC CHOICE



THE AUTOMATIC TRANSMISSION PARTS WAREHOUSE



ZF 5HP18 Code: 1056 000 xxx

5 SPEED RWD (Electronic Control)



AUTOMATIC CHOICE



THE AUTOMATIC TRANSMISSION PARTS WAREHOUSE

| ILL NO. | DESCRIPTION | YEARS | QTY | PART NO |
|----------------------------|---|-------|-----|--------------------|
| KITS | | | | |
| Kit | Overhaul Kit (OEM)..... | 91-ON | 1 | 5HP18.OHK01 |
| Kit | Overhaul Kit (Aftermarket) | 91-ON | 1 | 5HP18.OHK03 |
| Kit | Overhaul Kit (Precision) (Without Pistons)..... | 91-ON | 1 | 5HP18.OHK51 |
| GASKETS | | | | |
| 100E | Pan Gasket | 91-ON | 1 | 5HP18.GAS01 |
| NI | Valve Body Gasket (To Box Code: 1056 000 080) ... | 91-ON | 1 | 5HP18.GAS02 |
| NI | Valve Body Gasket (From Box Code:1056 000 081) | 92-ON | 1 | 5HP18.GAS03 |
| NI | Pump Bolt Sealing Washer | 91-ON | 9 | 5HP18.GAS04 |
| RUBBER COMPONENTS | | | | |
| 120A | Pump 'O' Ring..... | 91-ON | 1 | 5HP18.OR02 |
| 121D | 'F' Clutch Sleeve 'O' Ring..... | 91-ON | 1 | 5HP18.OR01 |
| 122E | Case Connector 'O' Ring (From Code: 1056 000 081)..... | 92-ON | 2 | 5HP18.OR03 |
| 129B | 'O' Ring, 'E' Clutch Outer | 92-ON | 1 | 6HP19.OR01 |
| 130C | 'O' Ring, Carrier to D/G Drum ... | 92-ON | 2 | 5HP18.OR07 |
| 131C | 'D' Piston Outer 'O' Ring | 92-ON | 1 | 5HP18.OR04 |
| 132C | 'D' Piston Inner 'O'Ring (Code?) | 92-ON | 1 | 5HP18.OR05 |
| 132C | 'D' Piston Inner 'O'Ring (Code?) | 92-ON | 1 | 5HP19.OR12 |
| 139E | 'O' Ring Extension to Case | 92-ON | 1 | 6HP26.OE01 |
| 140E | Filter to V. Body 'O' Ring | 92-ON | 1 | 5HP18.OR06 |
| METAL CLAD SEALS | | | | |
| 150A | Pump Body (OEM)..... | 91-ON | 1 | 3HP22.MCS01 |
| 150A | Pump Body (AM)..... | 91-ON | 1 | 3HP22.MCS51 |
| 151E | Extension Housing..... | 91-ON | 1 | 5HP18.MCS02 |
| NI | Selector Shaft | 91-ON | 1 | 3HP22.MCS03 |
| MOULDED PISTONS | | | | |
| 170C | 'G' Brake | 91-ON | 1 | 5HP18.PIS02 |
| 171D | 'F' Clutch | 91-ON | 1 | 5HP18.PIS01 |
| SHAFT SEALING RINGS | | | | |
| Kit | Sealing Ring Kit (Precision) | 91-ON | 1 | 5HP18.SRK01 |
| 200A | Stator Support (Front)..... | 91-ON | 2 | 4HP18.SSR06 |
| 201A | Stator Support (Rear)..... | 91-ON | 1 | 4HP14.SSR03 |
| 202B | Input Shaft (Front Small)..... | 91-ON | 2 | 5HP19.SSR03 |
| 203B | Input Shaft (Rear Large) | 91-ON | 1 | 5HP18.SSR04 |
| 204C | 'D'/'G' to 'F' Clutch (Front) | 91-ON | 1 | 5HP18.SSR05 |
| 204C | 'D'/'G' to 'F' Clutch (Rear)..... | 91-ON | 1 | 5HP18.SSR06 |
| FRICTION PLATES | | | | |
| Kit | Friction Plate Kit (OEM) | 91-ON | 1 | 5HP18.FRK01 |
| Kit | Friction Plate Kit (Alto) | 91-ON | 1 | 5HP18.FRK51 |
| Kit | Friction Kit (Borg Warner) | 91-ON | 1 | 4HP18.FRK02 |
| 250A | 'C' Brake..... | 91-ON | 3-4 | 3HP22.FRP23 |
| 251B | 'B' Clutch..... | 91-ON | 3 | 4HP18.FRP05 |
| 252B | 'A' Clutch | 91-ON | 4-5 | 4HP18.FRP03 |
| 253B | 'E' Clutch | 91-ON | 4-5 | 4HP18.FRP04 |
| 254C | 'D' Brake..... | 91-ON | 5-6 | 4HP18.FRP02 |
| 255C | 'G' Brake | 91-ON | 3-4 | 5HP18.FRP03 |
| 256D | 'F' Clutch Box Codes: (1056 000 063 - 080) | 91-ON | 4-5 | 5HP18.FRP02 |
| 256D | 'F' Clutch Box Codes: (1056 000 081 - 104) | 91-ON | 4-5 | 5HP18.FRP03 |

| ILL NO. | DESCRIPTION | YEARS | QTY | PART NO |
|---------------------|--|-------|-----|--------------------|
| STEEL PLATES | | | | |
| Kit | Steel Plate Kit (OEM)..... | 91-ON | 1 | 5HP18.STK01 |
| Kit | Steel Plate Kit | 91-ON | 1 | 5HP18.STK03 |
| Kit | Steel Plate Kit (Alto)..... | 91-ON | 1 | 5HP18.STK51 |
| 300A | 'C' Brake (3.00mm) | 91-ON | 1 | 4HP18.PP01 |
| 300A | 'C' Brake (4.50mm) | 91-ON | 1 | 4HP22.PP02 |
| 301A | 'C' Brake..... | 91-ON | 2-3 | 3HP22.STP04 |
| 302B | 'B' Clutch Except Codes: (1056 000 086, 090, 091, 094, 095, 096, 097, 099, 102 & 104) | 91-ON | 3 | 4HP18.STP01 |
| 302B | 'B' Clutch Codes: (1056 000 086, 090, 091, 094, 095, 096, 097, 099, 102 & 104) | 91-ON | 3 | 5HP19.STP02 |
| 303B | 'A' Clutch Except Codes: (1056 000 086, 090, 091, 094, 095, 096, 097, 099, 102 & 104) | 91-ON | 4-5 | 4HP18.STP01 |
| 303B | 'A' Clutch Codes: (1056 000 086, 090, 091, 094, 095, 096, 097, 099, 102 & 104) | 91-ON | 4-5 | 5HP19.STP02 |
| 304B | 'E' Clutch Except Codes: (1056 000 086, 090, 091, 094, 095, 096, 097, 099, 102 & 104) | 91-ON | 4-5 | 4HP18.STP02 |
| 304B | 'E' Clutch Codes: (1056 000 086, 090, 091, 094, 095, 096, 097, 099, 102 & 104) | 91-ON | 4-5 | 5HP19.STP05 |
| 305C | 'D' Brake Except Codes: (1056 000 086, 090, 091, 094, 095, 096, 097, 099, 102 & 104) | 91-ON | 5-6 | 4HP18.STP01 |
| 305C | 'D' Brake Codes: (1056 000 086, 090, 091, 094, 095, 096, 097, 099, 102 & 104) | 91-ON | 5-6 | 5HP19.STP02 |
| 306C | 'G' Brake Except Codes: (1056 000 086, 090, 091, 094, 095, 096, 097, 099, 102 & 104) | 91-ON | 3-4 | 4HP14.STP01 |
| 306C | 'G' Brake Codes: (1056 000 086, 090, 091, 094, 095, 096, 097, 099, 102 & 104) | 91-ON | 3-4 | 5HP19.STP07 |
| 307D | 'F' Clutch Except Codes: (1056 000 086, 090, 091, 094, 095, 096, 097, 099, 102 & 104) | 91-ON | 5 | 5HP18.STP02 |
| 307D | 'F' Clutch Codes: (1056 000 086, 090, 091, 094, 095, 096, 097, 099, 102 & 104) | 91-ON | 5 | 5HP19.STP03 |
| 311B | 'A' Clutch Wavy Steel..... | 91-ON | 1 | 5HP18.STP04 |
| 313C | 'D' Brake Wavy Steel..... | 91-ON | 1 | 5HP19.STP15 |
| 314C | 'G' Brake Wavy Steel Codes: (1056 000 063, 064, 066, 067, 068, 070, 071, 074, 075, 076, 078 & 080) | 91-ON | 1 | 5HP18.STP03 |
| 314C | 'G' Brake Wavy Steel Except Codes: (1056 000 063, 064, 066, 067, 068, 070, 071, 074, 075, 076, 078 & 080) | 91-ON | 1 | 5HP19.STP17 |
| 315D | 'F' Brake Wavy Steel Codes: (1056 000 063, 064, 066, 067, 068, 070, 071, 074, 075, 076, 078 & 080) | 91-ON | 1 | 5HP18.STP03 |
| 315D | 'F' Brake Wavy Steel Except Codes: (1056 000 063, 064, 066, 067, 068, 070, 071, 074, 075, 076, 078 & 080) | 91-ON | 1 | 5HP19.STP17 |

ZF 5HP18 Code: 1056 000 xxx

5 SPEED RWD (Electronic Control)



AUTOMATIC CHOICE



THE AUTOMATIC TRANSMISSION PARTS WAREHOUSE

| ILL NO. | DESCRIPTION | YEARS | QTY | PART NO |
|-------------------------------|---|-------|-----|--------------------|
| PRESSURE PLATES | | | | |
| 400A | 'C' Brake (3.00mm) | 91-ON | AR | 4HP18.PP01 |
| 400A | 'C' Brake (4.50mm) | 91-ON | AR | 4HP22.PP02 |
| 401B | 'B' Clutch Except Codes: (1056 000 086, 090, 091, 094, 095, 096, 097, 099, 102 & 104) | 91-ON | 1 | 4HP18.PP02 |
| 401B | 'B' Clutch Codes: (1056 000 086, 090, 091, 094, 095, 096, 097, 099, 102 & 104) | 91-ON | 1 | 5HP19.PP03 |
| 402B | 'A' Clutch Except Codes: (1056 000 086, 090, 091, 094, 095, 096, 097, 099, 102 & 104) | 91-ON | 1 | 4HP18.PP02 |
| 402B | 'A' Clutch Codes: (1056 000 086, 090, 091, 094, 095, 096, 097, 099, 102 & 104) | 91-ON | 1 | 5HP19.PP03 |
| 403B | 'E' Clutch Codes: (1056 000 086, 090, 091, 094, 095, 096, 097, 099, 102 & 104) | 91-ON | 1 | 5HP19.PP04 |
| 404C | 'D' Brake Except Codes: (1056 000 086, 090, 091, 094, 095, 096, 097, 099, 102 & 104) | 91-ON | 1 | 4HP18.PP02 |
| 404C | 'D' Brake Codes: (1056 000 086, 090, 091, 094, 095, 096, 097, 099, 102 & 104) | 91-ON | 1 | 5HP19.PP03 |
| 405C | 'G' Brake Except Codes: (1056 000 086, 090, 091, 094, 095, 096, 097, 099, 102 & 104) | 91-ON | 1 | 5HP18.PP05 |
| 405C | 'G' Brake Codes: (1056 000 086, 090, 091, 094, 095, 096, 097, 099, 102 & 104) | 91-ON | 1 | 5HP19.PP06 |
| 406D | 'F' Clutch Codes: (1056 000 086, 090, 091, 094, 095, 096, 097, 099, 102 & 104) | 91-ON | 1 | 5HP19.STP03 |
| SPRINGS & CIRCLIPS | | | | |
| 410A | 'C' Brake Diaphragm Spring | 91-ON | 1 | 4HP18.DIA01 |
| 411B | 'B' Clutch Diaphragm Spring | 91-ON | 1 | 4HP18.DIA02 |
| 412B | 'A' Clutch Diaphragm Spring | 91-ON | 1 | 4HP18.DIA03 |
| 414C | 'D' Brake Diaphragm Spring | 91-ON | 1 | 5HP19.DIA06 |
| 415C | 'G' Brake Diaphragm Spring | 91-ON | 1 | 5HP18.DIA02 |
| 416D | 'F' Brake Diaphragm Spring | 91-ON | 1 | 5HP18.DIA01 |
| 430C | 'G' Brake Thrust Ret Circlip | 91-ON | 1 | 5HP18.CIR02 |
| 431D | 'F' Clutch Sleeve Ret. Circlip | 91-ON | 1 | 5HP18.CIR01 |
| 434B | Ret. Circlip, 'B2' Band Servo Cover | 91-ON | 1 | 4HP14.CIR01 |
| 435C | 'D' Clutch Ret Circlip (Selective) (Fits Codes 1056 000 004, 005, 006, 007, 008, 009, 010, 011) (4.00mm Thick) | 91-ON | AR | 5HP19.CIR37 |
| FILTERS | | | | |
| 450E | Filter (Aftermarket) | 91-ON | 1 | 5HP18.FIL01 |
| 450E | Filter (OEM) | 91-ON | 1 | 5HP18.FIL11 |
| BANDS | | | | |
| 500B | 'B2' Band 40mm Wide Up To Code: (1056 000 080) | 91-ON | 1 | 5HP18.BAN01 |
| 500B | 'B2' Band 50mm Wide From Code: (1056 000 081) | 91-ON | 1 | 5HP18.BAN02 |
| FILTERS | | | | |
| 450E | Filter | 91-ON | 1 | 5HP18.FIL01 |

| ILL NO. | DESCRIPTION | YEARS | QTY | PART NO |
|--------------------------------------|--|-------|-----|--------------------|
| BUSHINGS | | | | |
| 550D | 'F' Clutch Drum (Bronze) | 91-ON | 1 | 5HP18.BUS05 |
| 550D | 'F' Clutch Drum (Sonnax) | 91-ON | 1 | 5HP18.BUS07 |
| NI | Pump Bush | 91-ON | 1 | 3HP22.BUS01 |
| THRUST WASHERS & BEARINGS | | | | |
| 600C | 'G' Brake Thrust Plate | 91-ON | 1 | 5HP18.THW01 |
| Thrust Bearing Kits | | | | |
| 650C | 'E' Clutch Hub (Front) | 91-ON | 1 | 4HP18.TK01 |
| 651C | 'E' Clutch Hub (Rear) | 91-ON | 1 | 4HP18.TK05 |
| 652C | Pot to Sun Gear Shaft | 91-ON | 1 | 4HP18.TK03 |
| 653C | Front Planet to Annulus | 91-ON | 1 | 5HP18.TK04 |
| 654C | Annulus to 'D'/'G' Carrier | 91-ON | 1 | 5HP18.TK05 |
| 655D | Ring Gear Carrier (Front) | 91-ON | 1 | 5HP18.TK06 |
| 656D | Ring Gear Carrier to Rear Planetary | 91-ON | 1 | 5HP18.TK06 |
| 657D | Rear Planet to Sun Gear | 91-ON | 1 | 5HP18.TK07 |
| 658D | Sun Gear to Park Lock Wheel | 91-ON | 1 | 5HP18.TK06 |
| ELECTRICAL COMPONENTS | | | | |
| Kit | Solenoid Kit (7 Sols) Up To Code (1056 000 080) | 91-ON | 1 | 5HP18.SOL10 |
| Kit | Solenoid Kit (7 Sols) From Code (1056 000 081 Except Below) | 91-ON | 1 | 5HP18.SOL11 |
| Kit | Solenoid Kit (7 Sols) Codes: (1056 000 086, 090, 091, 094, 095, 096, 097, 099, 102 & 104) | 91-ON | 1 | 5HP18.SOL12 |
| 700E | Shift Solenoid From Code (1056 000 081) | 91-ON | 5 | 5HP18.SOL01 |
| 701E | Pressure Control Solenoid | 91-ON | 1 | 5HP18.SOL02 |
| 702E | Lock Up Solenoid | 91-ON | 1 | 5HP18.SOL03 |
| 703E | Speed Sensor (Inductive) | 91-ON | 2 | 5HP18.ELE01 |
| 704E | Valve Body Loom Up To Code (1056 000 080) | 91-ON | 1 | 5HP18.ELE02 |
| 704E | Valve Body Loom From Code (1056 000 081) | 91-ON | 1 | 5HP18.ELE03 |
| 705E | Range Switch (Fits Codes: 1056 000 090, 091, 095, 102) | 91-ON | 1 | 5HP19.ELE02 |
| VALVE BODY COMPONENTS | | | | |
| Kit | Valve Body Rebuild Kit From Code: (1056 000 081) | 91-ON | 1 | 5HP18.VBK01 |
| Kit | 2-3 Flare Correction Kit | 91-ON | 1 | 5HP18.SK01 |
| NI | Spring Pressure Reg (Outer) | 91-ON | 1 | 5HP19.SPR03 |
| NI | Manual Valve | 91-ON | 1 | 5HP18.VA01 |
| NI | Valve Fits in Pump Assy | 91-ON | 1 | 5HP18.VA02 |
| NI | Accumulator Piston (Fit in V. Body) ('C2', 'D', 'E' & 'F') | 91-ON | 4 | 5HP18.VA03 |
| NI | Accumulator Piston (Fit in V. Body) (Modified Plastic) ('A' Clutch) | 91-ON | 1 | 5HP24.ACC01 |
| NI | Encapsulated Plastic Ball Valve (Fits in Lower Rear Valve Body) (Fits Codes 1056 000 063, 064, 066, 067, 068, 070, 071, 074, 075, 076, 078, 080, 081, 082, 085, 087, 088, 093) | 91-ON | 1 | 4HP22.VA01 |
| NI | 'C2' Band Accumulator Spring (5HP18) (Codes 1056 000 063, 067, 068, 071, 075, 078, 080, 081, 082, 085, 086, 087, 088, 090, 091, 092, 093, 094, 095, 096, 097, 099, 102, 104) | 91-ON | 1 | 4HP14.SPR24 |
| NI | 'C2' Band Accumulator Spring (5HP18A) (Codes 1056 020 011, 012) | 91-ON | 1 | 4HP14.SPR24 |

ZF 5HP18 Code: 1056 000 xxx

5 SPEED RWD (Electronic Control)



AUTOMATIC CHOICE



THE AUTOMATIC TRANSMISSION PARTS WAREHOUSE

| ILL NO. | DESCRIPTION | YEARS | QTY | PART NO |
|---|---|-------|-----|--------------------|
| VALVE BODY COMPONENTS Cont... | | | | |
| Kit | Valve Body Rebuild Kit From Code: | | | |
| NI | 'E' Accumulator Spring (5HP18) (Codes; 1056 000 063,067, 068, 071, 075, 076, 078, 080, 087, 088, 092) | 87-ON | 1 | 4HP14.SPR23 |
| NI | 'E' Accumulator Spring (5HP18A) (Codes; 1056 020 011) | 87-ON | 1 | 4HP14.SPR23 |
| NI | Orifice Plate 9In Vave Body (1.00mm)..... | 87-ON | AR | 4HP18.VA03 |
| | (1.50mm)..... | 87-ON | AR | 4HP18.VA05 |
| HARD PARTS | | | | |
| 800A | Pump Assy..... | 91-ON | 1 | 5HP18.PUM01 |
| 801A | Stator Support Except Codes: (1056 000 064, 066, 070, 074, 076 081, 086, 091, 093, 094 & 102) | 91-ON | 1 | 5HP18.SUP01 |
| 801A | Stator Support Codes: (1056 000 076, 086, 091 & 093) | 91-ON | 1 | 5HP18.SUP02 |
| 802B | 'A' Clutch Drum (5 Plate)..... | 91-ON | 1 | 5HP18.DRU06 |
| 803C | Piston 'D' Brake..... | 91-ON | 1 | 5HP18.PIS03 |
| 804C | 'D' & 'G' Brake Drum Assy (5 x 3 Plates)..... | 91-ON | 1 | 5HP18.DRU03 |
| 804C | 'D' & 'G' Brake Drum Assy (6 x 4 Plates)..... | 91-ON | 1 | 5HP18.DRU02 |
| 805D | 'F' Clutch Drum (See Note) (4 Plate)..... | 91-ON | 1 | 5HP18.DRU04 |
| 805D | 'F' Clutch Drum (See Note) (5 Plate)..... | 91-ON | 1 | 5HP18.DRU01 |
| 806D | Sleeve 'F' Clutch Drum..... | 91-ON | 1 | 5HP18.SL01 |
| 807C | Carrier 'D'/'G' Brake..... | 91-ON | 1 | 5HP18.SH01 |
| 808D | 'F' Clutch Diaphragm Retainer.. | 91-ON | 1 | 5HP18.RET06 |
| 814C | Sun Gear Shaft..... | 91-ON | 1 | 5HP19.SH01 |
| Note: Early 'F' Clutch units did not have the hardened sleeve fitted and suffered damage to the aluminium bore, the original type drum is no longer available and must be replaced with the later 4 or 5 plate drum Item 805D above, the parts listed below will be required to complete the modification. | | | | |
| 806D | Sleeve 'F' Clutch Drum..... | 91-ON | 1 | 5HP18.SL01 |
| 121D | 'F' Clutch Sleeve 'O' Ring (This Item is in Overhaul Kit)..... | 91-ON | 1 | 5HP18.OR01 |
| 431D | 'F' Clutch Sleeve Ret. Circlip..... | 91-ON | 1 | 5HP18.CIR01 |

| ILL NO. | DESCRIPTION | YEARS | QTY | PART NO |
|--|--|-------|-----|--------------------|
| SPECIAL ITEMS | | | | |
| 900E | Valve Body Loom Ret. Nut (Up To Code: 1056 000 080)..... | 91-ON | 1 | 5HP18.NUT01 |
| 901B | 'B2' Band Adjusting Washer (5.00mm)..... | 91-ON | AR | 5HP18.WA01 |
| | (4.75mm)..... | 91-ON | AR | 5HP18.WA02 |
| | (4.50mm)..... | 91-ON | AR | 5HP18.WA03 |
| | (4.25mm)..... | 91-ON | AR | 5HP18.WA04 |
| | (4.00mm)..... | 91-ON | AR | 5HP18.WA05 |
| | (3.75mm)..... | 91-ON | AR | 5HP18.WA06 |
| | (3.50mm)..... | 91-ON | AR | 5HP18.WA07 |
| | (3.25mm)..... | 91-ON | AR | 5HP18.WA08 |
| | (3.00mm)..... | 91-ON | AR | 5HP18.WA09 |
| | (2.75mm)..... | 91-ON | AR | 5HP18.WA10 |
| | (2.50mm)..... | 91-ON | AR | 5HP18.WA11 |
| | (2.25mm)..... | 91-ON | AR | 5HP18.WA12 |
| 902B | 'B2' Band Adjusting Shim (4.25mm)..... | 91-ON | AR | 5HP18.SHI01 |
| | (4.00mm)..... | 91-ON | AR | 5HP18.SHI02 |
| | (3.75mm)..... | 91-ON | AR | 5HP18.SHI03 |
| | (3.50mm)..... | 91-ON | AR | 5HP18.SHI04 |
| | (3.25mm)..... | 91-ON | AR | 5HP18.SHI05 |
| | (3.00mm)..... | 91-ON | AR | 5HP18.SHI06 |
| | (2.75mm)..... | 91-ON | AR | 5HP18.SHI07 |
| | (2.50mm)..... | 91-ON | AR | 5HP18.SHI08 |
| | (2.25mm)..... | 91-ON | AR | 5HP18.SHI09 |
| | (2.00mm)..... | 91-ON | AR | 5HP18.SHI10 |
| | (1.75mm)..... | 91-ON | AR | 5HP18.SHI11 |
| | (1.50mm)..... | 91-ON | AR | 5HP18.SHI12 |
| | Dexron III Transmission Fluid (Use on Transmissions with Black Type Plate) | | | |
| NI | Castrol TQ Dexron RIII (x 0.5 Litre Bottle)..... | 91-ON | AR | OIL.02 |
| NI | Castrol TQ Dexron RIII (x 1 Litre Bottle)..... | 91-ON | AR | OIL.01 |
| NI | Castrol TQ Dexron RIII (x 20 Litre Canister)..... | 91-ON | AR | OIL.04 |
| NI | Castrol TQ Dexron RIII (x 208 Litre Barrel)..... | 91-ON | AR | OIL.05 |
| | LifeGuardFluid5 Transmission Fluid (Use on Transmissions with Green Type Plate) | | | |
| NI | LifeGuardFluid5 x 1Ltr Bottle (Esso LT71141)..... | 91-ON | AR | OIL.50 |
| NI | LifeGuardFluid5 x 20Ltr Canister (Esso LT71141)..... | 91-ON | AR | OIL.51 |
| NI | LifeGuardFluid5 x 209Ltr Drum (Esso LT71141)..... | 91-ON | AR | OIL.52 |
| TOOLS & MANUALS | | | | |
| NI | Repair Manual (OEM)..... | 91-ON | | 5HP18.MAN01 |
| NI | Repair Manual ATSG/ZF..... | 91-ON | | 5HP18.MAN02 |
| Click here to view special tools for this transmission | | | | |