

NP247 (Jeep Grand Cherokee)

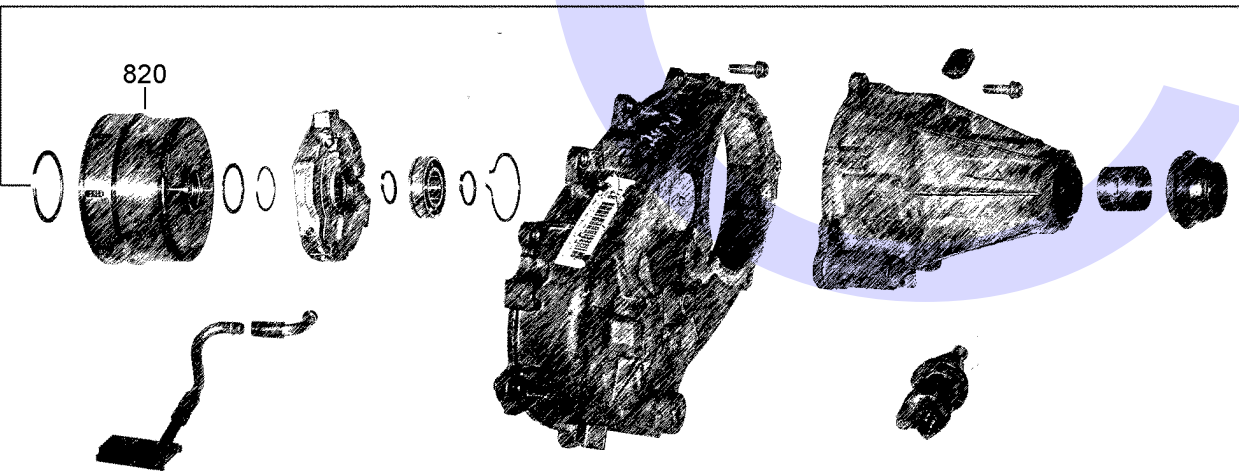
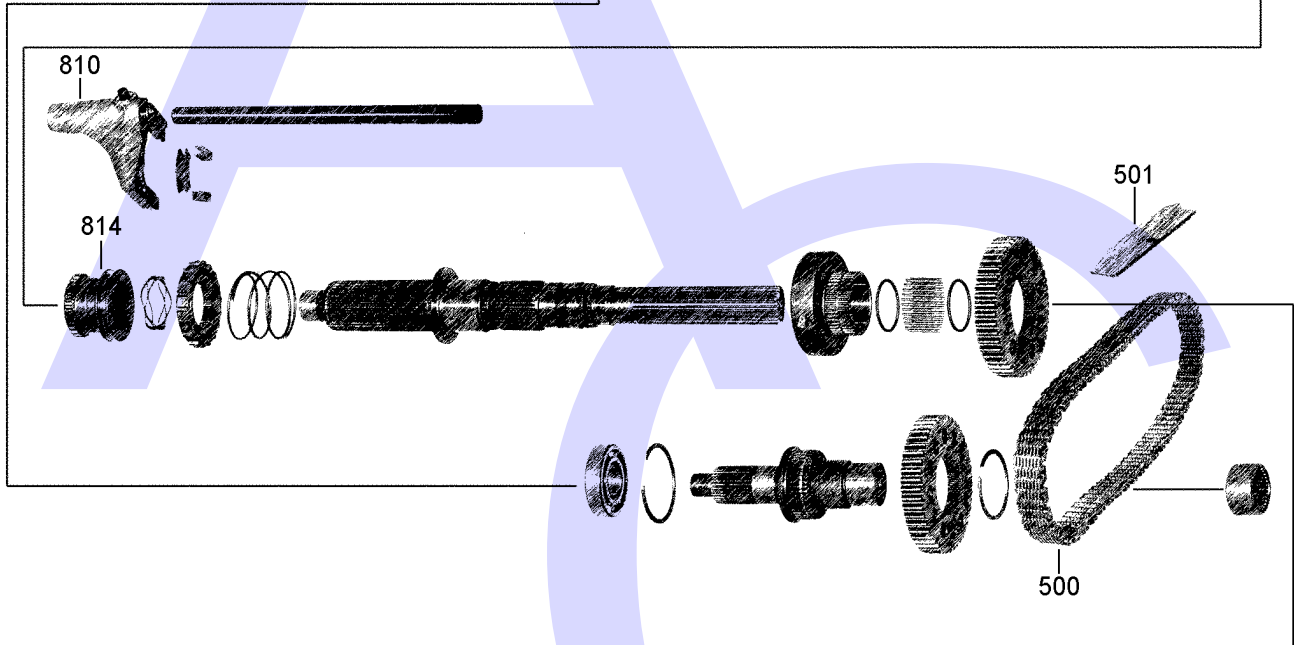
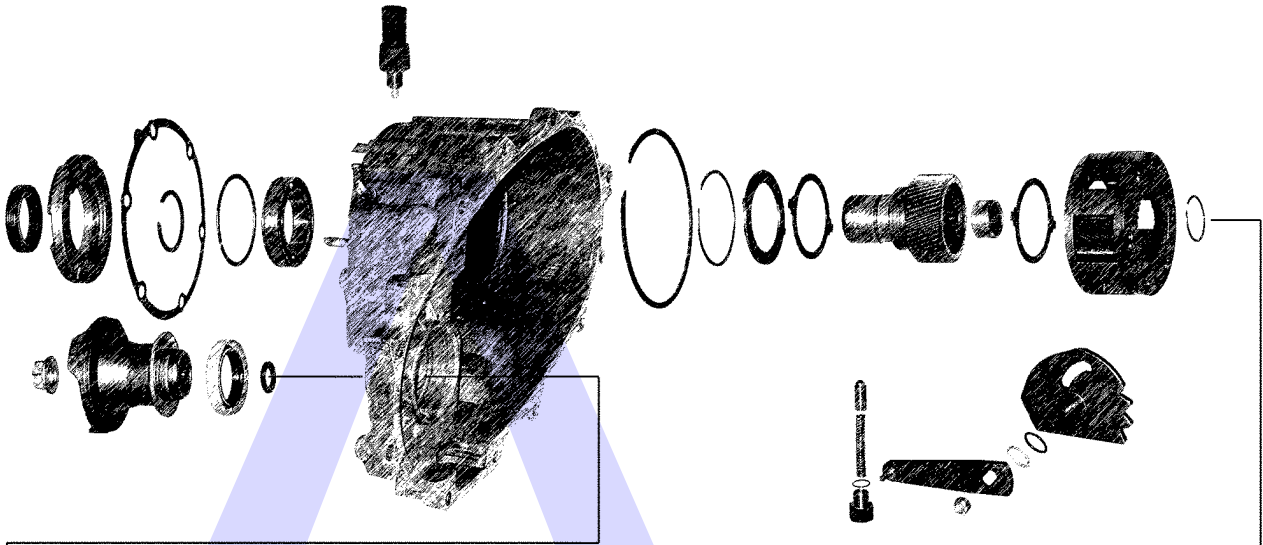
Full Time Torque Demand Dual Range



AUTOMATIC CHOICE



THE AUTOMATIC TRANSMISSION PARTS WAREHOUSE



NP247 (Jeep Grand Cherokee)

Full Time Torque Demand Dual Range



AUTOMATIC CHOICE



THE AUTOMATIC TRANSMISSION PARTS WAREHOUSE

ILL NO.	DESCRIPTION	YEARS	QTY	PART NO
MASTER OVERHAUL KITS				
OVERHAUL GASKET AND SEAL KITS				
Kit	Gasket & Seal Kit.....	99-ON	1	YNP247.GSK01
GASKET & RUBBER COMPONENTS				
METAL CLAD SEALS				
BUSHINGS, BEARINGS & WASHERS				
DRIVE CHAINS				
500	Drive Chain (10mm Pitch x 25.4mm W x 98 Pitches - RJ)	99-ON	1	YNP247.CH01
501	Chain Snubber (Rbbing Block) .	99-ON	1	YNP247.SN01
ELECTRICAL COMPONENTS				
HARD PARTS				
810	Range Fork (Aluminium).....	99-ON	1	YNP247.SEL01
814	Reduction Hub	99-ON	1	YNP247.HUB01
820	Progressive Coupling (Jeep).....	99-ON	1	YNP247.VC01
MOUNTINGS				
TRANSFER CASE ASSY'S				
Unit	Exchange Unit for 3.1Ltr TD Jeep (With Manual Transmission)	99-ON	1	YNP247.001
TOOLS & MANUALS				

ILL NO.	DESCRIPTION	YEARS	QTY	PART NO
---------	-------------	-------	-----	---------