

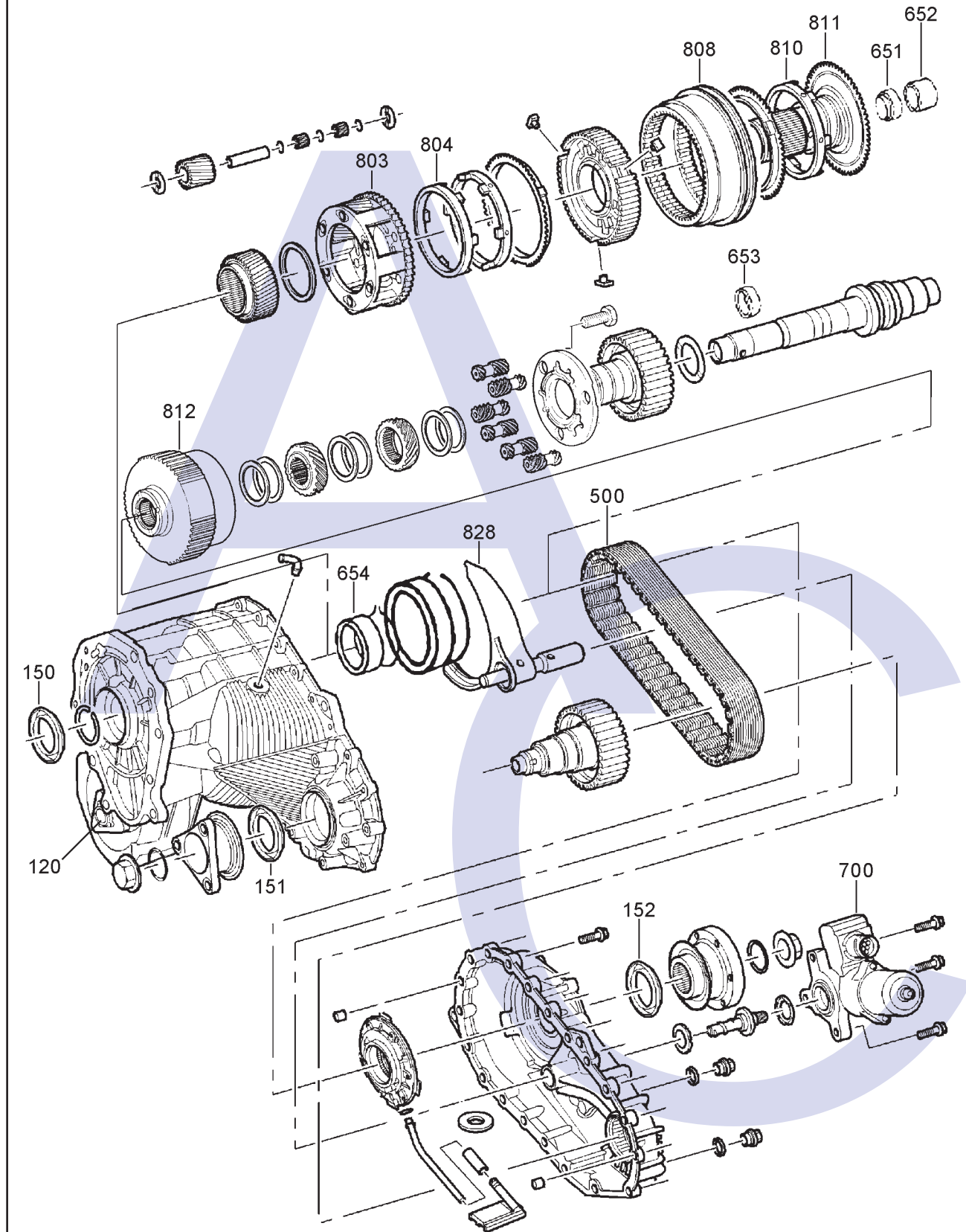
NVG 225 (Range Rover 2001-2006) Full-Time Passive Torque Biasing System



AUTOMATIC CHOICE



THE AUTOMATIC TRANSMISSION PARTS WAREHOUSE



NVG 225 (Range Rover 2001-2006)

Full-Time Passive Torque Biasing System



AUTOMATIC CHOICE



THE AUTOMATIC TRANSMISSION PARTS WAREHOUSE

ILL NO.	DESCRIPTION	YEARS	QTY	PART NO
MASTER OVERHAUL KITS				
OVERHAUL GASKET AND SEAL KITS				
GASKET & RUBBER COMPONENTS				
METAL CLAD SEALS				
150	Input Seal.....	01-06	1	YNVG225.MCS01
151	Front Output Flange.....	01-06	1	YNVG225.MCS02
152	Rear Output Flange	01-06	1	YNVG225.MCS02
BUSHINGS, BEARINGS & WASHERS				
651	Needle Bearing, Input Shaft (With Seal)	01-06	1	YNVG225.BE01
652	Sleeve, Input Needle Bearing ...	01-06	1	YNVG225.BE02
653	Needle Bearing, Mainshaft.....	01-06	1	YNVG225.BE03
654	Roller Bearing, Input to Case....	01-06	1	YNVG125.BE01
DRIVE CHAINS				
500	Drive Chain Range Rover (44mm Wide x 90 Pitches with TOD)	03-ON	1	YNVG225.CH03
ELECTRICAL COMPONENTS				
700	Shift Motor Assembly (Range Rover)	01-06	1	YNVG225.ELE01
HARD PARTS				
803	Planetary.....	01-06	1	YNVG225.PL01
804	Cone,Friction (Bulk Ring).....	01-06	1	YNVG225.BR01
808	Annulus	01-06	1	YNVG225.PL02
810	Cone,Friction (Bulk Ring).....	01-06	1	YNVG225.BR01
811	Input Shaft	01-06	1	YNVG225.SH01
Note: when ordering the above #811 you will need also to order #651 to prevent oil leaks, as this is not supplied with the shaft				
812	Clutch Drum Assembly.....	03-06	1	YNVG225.DRU01
828	Selector Fork.....	01-06	1	YNVG225.SEL01
MOUNTINGS				
TRANSFER CASE ASSY'S				
Unit	Factory Exchange Unit (Range Rover).....	01-06	1	YNGV225.ASSY01
Unit	Remanufactured Unit (Range Rover).....	01-06	1	YNGV225.ASSY01A

ILL NO.	DESCRIPTION	YEARS	QTY	PART NO
TOOLS & MANUALS				