

NEW PROCESS MODEL 242, 244

DODGE, HUMMER, JEEP

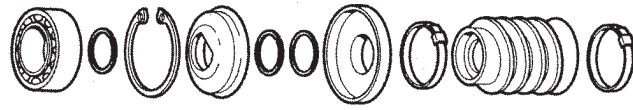


AUTOMATIC CHOICE

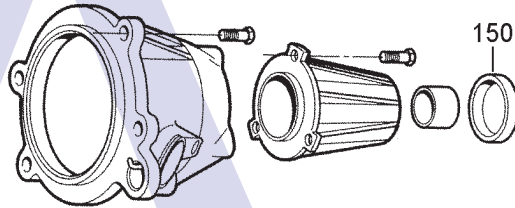


THE AUTOMATIC TRANSMISSION PARTS WAREHOUSE

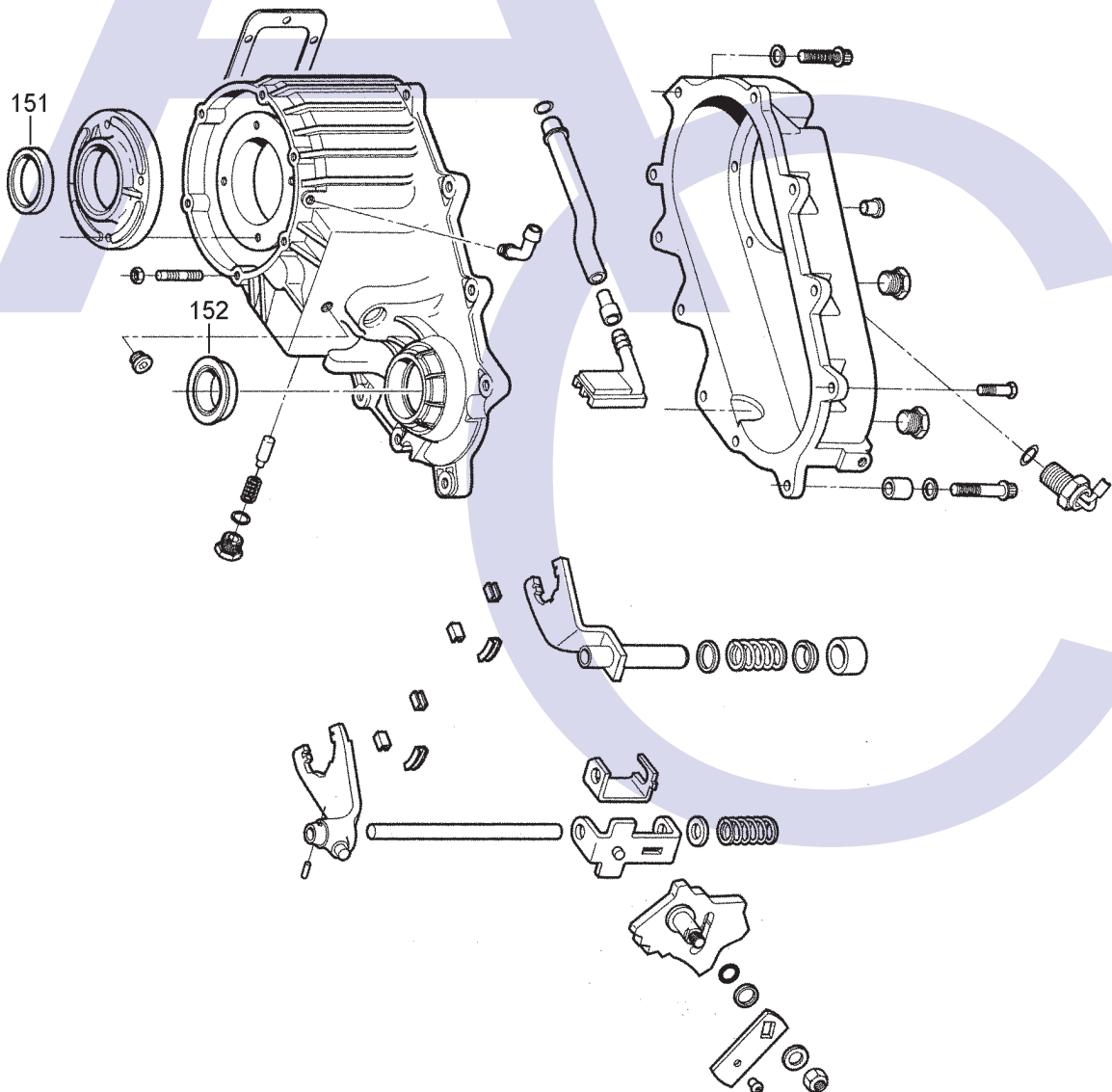
A



B



C



NEW PROCESS MODEL 242 (87-), 244 (04-) DODGE, HUMMER, JEEP



AUTOMATIC CHOICE



THE AUTOMATIC TRANSMISSION PARTS WAREHOUSE

ILL NO.	DESCRIPTION	YEARS	QTY	PART NO
MASTER OVERHAUL KITS				
OVERHAUL GASKET AND SEAL KITS				
Kit	Gasket & Seal Kit.....	87-ON	1	YNP242.GSK01
GASKET & RUBBER COMPONENTS				
METAL CLAD SEALS				
150B	Rear Output (242).....	87-93	1	YNP242.MCS05
150B	Rear Output (242).....	94-ON	1	YNP242.MCS04
151C	Input Gear (242) Single Lip (Chrysler)	87-ON	1	YNP242.MCS01
151C	Input Gear (242) Double Lip (GM).....	87-ON	1	YNP242.MCS06
152C	Front Output (242)	87-ON	1	YNP242.MCS02
BUSHINGS, BEARINGS & WASHERS				
DRIVE CHAINS				
500H	Drive Chain 242, 244 Jeep (25,40mm Wide x 72 Pitches....	87-ON	1	YNP242.CH01
500H	Drive Chain 242, 242WJ (31,75mm Wide x 98 Pitches)...	87-ON	1	YNP244.CH01
ELECTRICAL COMPONENTS				
HARD PARTS				
MOUNTINGS				
TRANSFER CASE ASSY'S				
TOOLS & MANUALS				
NI	ATSG Repair Manual.....	87-ON		YNP.MAN01

ILL NO.	DESCRIPTION	YEARS	QTY	PART NO
---------	-------------	-------	-----	---------