

NEW PROCESS MODEL 231, 233, 241, 243

CHEVROLET
DODGE

88-ONGMC
88-ONJEEP

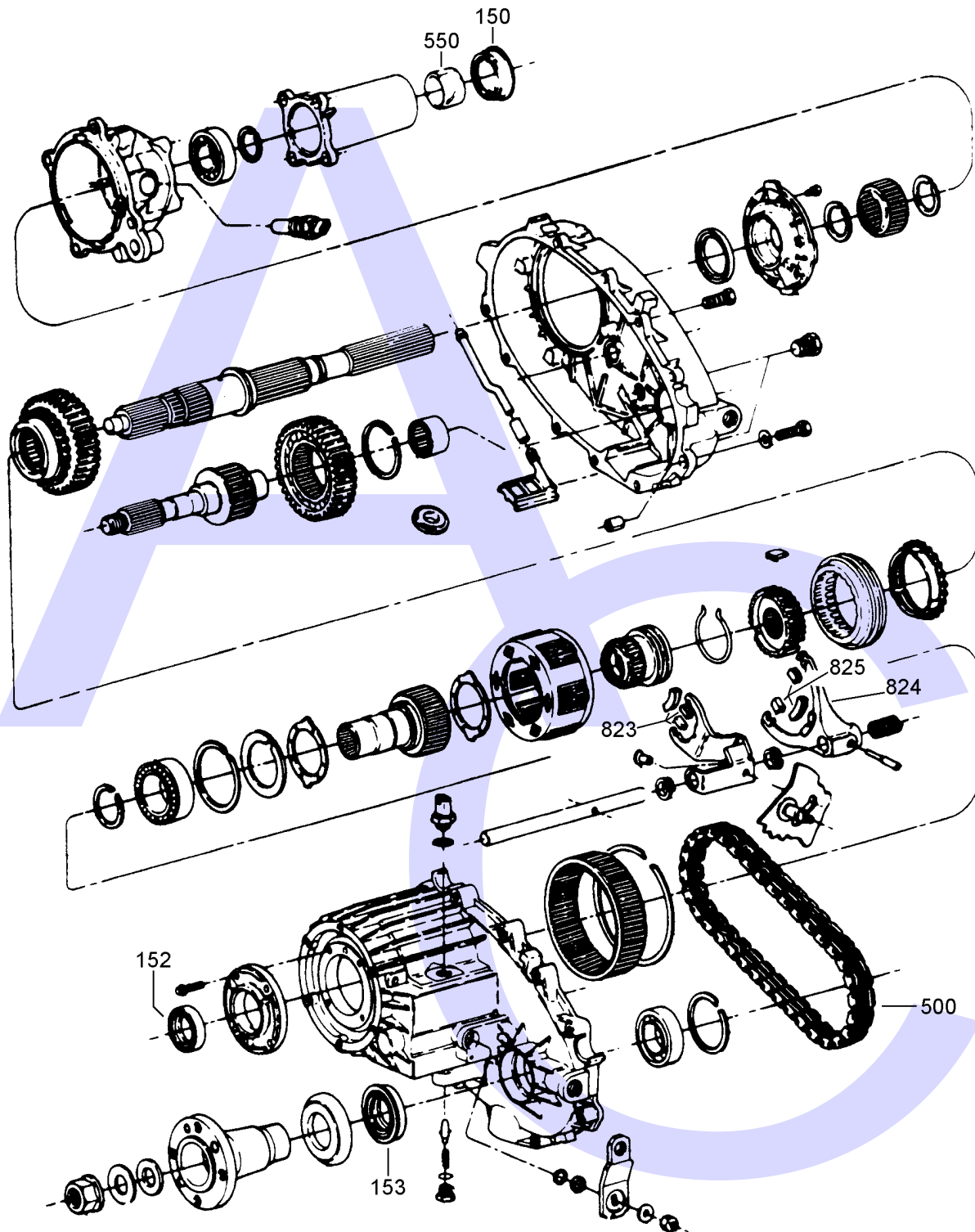
88-ON
87-ON



AUTOMATIC CHOICE



THE AUTOMATIC TRANSMISSION PARTS WAREHOUSE



NEW PROCESS MODEL 231, 233, 241, 243

CHEVROLET
DODGE

88-ONGMC
88-ONJEEP

88-ON
87-ON



AUTOMATIC CHOICE



THE AUTOMATIC TRANSMISSION PARTS WAREHOUSE

ILL NO.	DESCRIPTION	YEARS	QTY	PART NO
MASTER OVERHAUL KITS				
OVERHAUL GASKET AND SEAL KITS				
Kit	Gasket & Seal 243C	92-97	1	YNP243.GSK01
Kit	Gasket & Seal (231, 231C) (Chrysler)	88-ON	1	YNP231.GSK01
Kit	Gasket & Seal (231J).....	94-ON	1	YNP231.GSK02
GASKET & RUBBER COMPONENTS				
METAL CLAD SEALS				
150	Rear Output (231, 233).....	87-ON	1	YNP242.MCS05
150	Rear Output (241, 243).....	88-ON	1	YNP242.MCS03
150	Rear Output (231, 242) (Slip Yolk Jeep Only).....	94-ON	1	YNP242.MCS04
150	Rear Output (231J Only).....	94-ON	1	YNP231.MCS03
150	Rear Output (241, 243).....	94-ON	1	TH400.MCS01
152	Input Gear (231, 241)	87-ON	1	YNP242.MCS01
153	Front Output (231, 233) (Slip Yoke Type).....	87-ON	1	YNP231.MCS02
153	Front Output (241, 242 & 243)..	87-ON	1	YNP242.MCS02
DRIVE CHAINS				
500	Drive Chain 231 & 233 (25.40mm Wide x 31 Links)	87-ON	1	YNP231.CH01
500	Drive Chain 231 (25.40mm Wide x 36 Links)	87-ON	1	YNP242.CH01
BUSHINGS, BEARINGS & WASHERS				
550	Bush, Rear Extension (231J) (41mm OD x 38mm ID x 24mm Wide)	87-ON	1	YNP231.BUS01
550	Rear Output (231, 241) (31 Spline Output Shaft)	80-ON	1	YNP231.BUS02
NI	Split Retainer, Output Shaft Bearing (34.925 Shaft Diameter) (Sonnax® Click Here for Info)...	87-ON	1	YNP243.RET01
ELECTRICAL COMPONENTS				
HARD PARTS				
823	Fork Insert Kit (Set of 10 Pads)	87-ON	1	YNP243.PAD01
824	Mode Fork (With Pads).....	87-ON	1	YNP243.SEL01
825	Fork Insert Kit (Set of 10 Pads)	87-ON	1	YNP243.PAD01

ILL NO.	DESCRIPTION	YEARS	QTY	PART NO
MOUNTINGS				
TRANSFER CASE ASSY'S				
TOOLS & MANUALS				
NI	Rebuild Manual 229-242.....	All	1	YNP242.MAN01