

# Borg Warner Model 4409

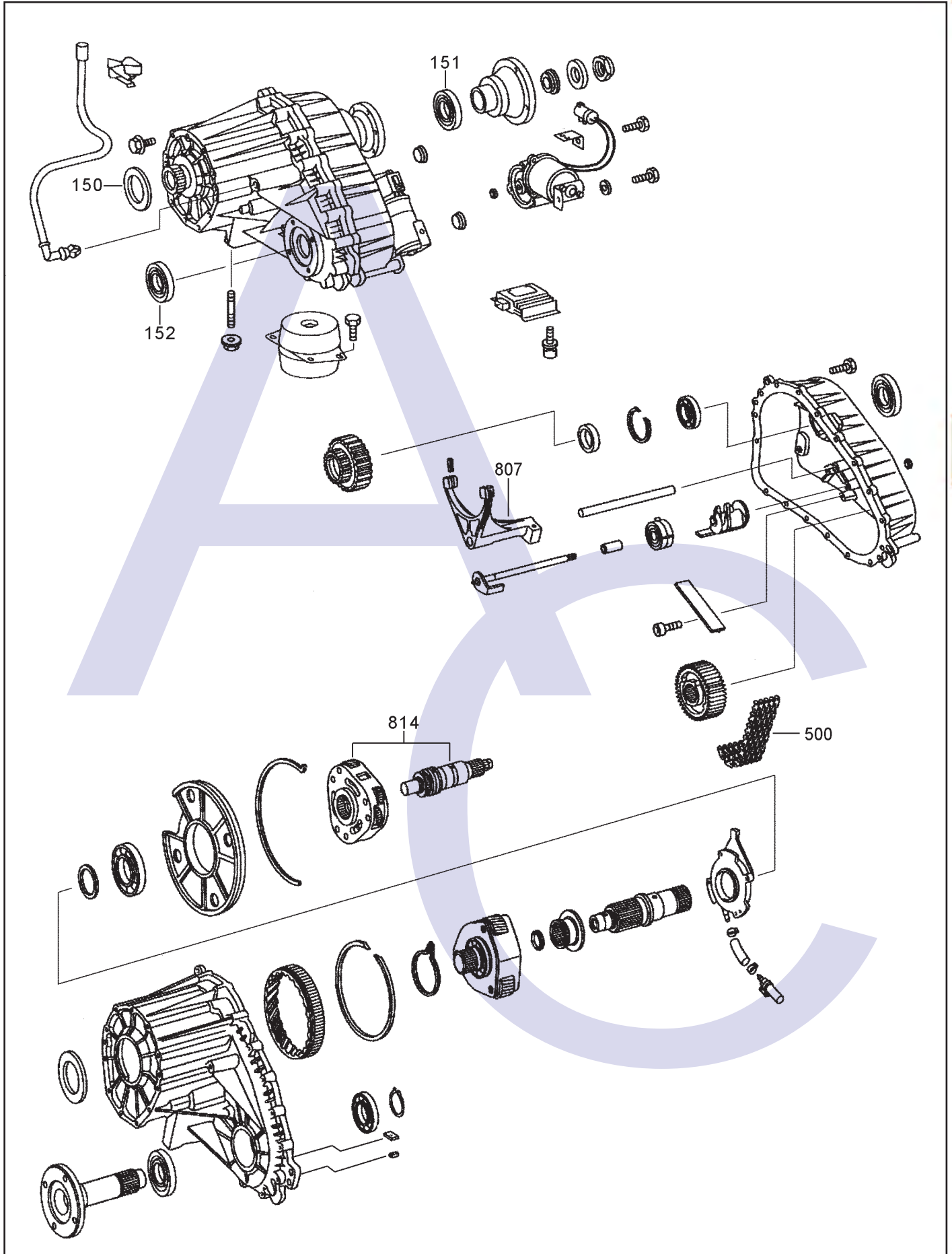
Mercedes ML



AUTOMATIC CHOICE



THE AUTOMATIC TRANSMISSION PARTS WAREHOUSE



# Borg Warner Model 4409

## Mercedes ML



AUTOMATIC CHOICE



THE AUTOMATIC TRANSMISSION PARTS WAREHOUSE

ILL NO.	DESCRIPTION	YEARS	QTY	PART NO
<b>MASTER OVERHAUL KITS</b>				
<b>OVERHAUL GASKET AND SEAL KITS</b>				
Kit	Gasket & Seal Kit.....	97-03	1	YBW4409.GSK01
<b>GASKETS</b>				
<b>RUBBER COMPONENTS</b>				
<b>METAL CLAD SEALS</b>				
150	Input Seal (OEM) .....	97-03	1	YBW4409.MCS01
151	Output Seal (Rear).....	97-03	1	YBW4409.MCS02
152	Output Seal (Front) .....	97-03	1	YBW4409.MCS02
<b>BUSHINGS, BEARINGS &amp; WASHERS</b>				
<b>DRIVE CHAINS</b>				
500	Drive Chain .....	97-03	1	YBW4409.CH01
<b>ELECTRICAL COMPONENTS</b>				
<b>HARD PARTS</b>				
807	Reduction Fork.....	97-03	1	YBW4409.SEL01
814	Planetary With Shaft .....	97-03	1	YBW4409.PL01
<b>MOUNTINGS</b>				
<b>TRANSFER CASE ASSY'S</b>				

ILL NO.	DESCRIPTION	YEARS	QTY	PART NO
---------	-------------	-------	-----	---------