

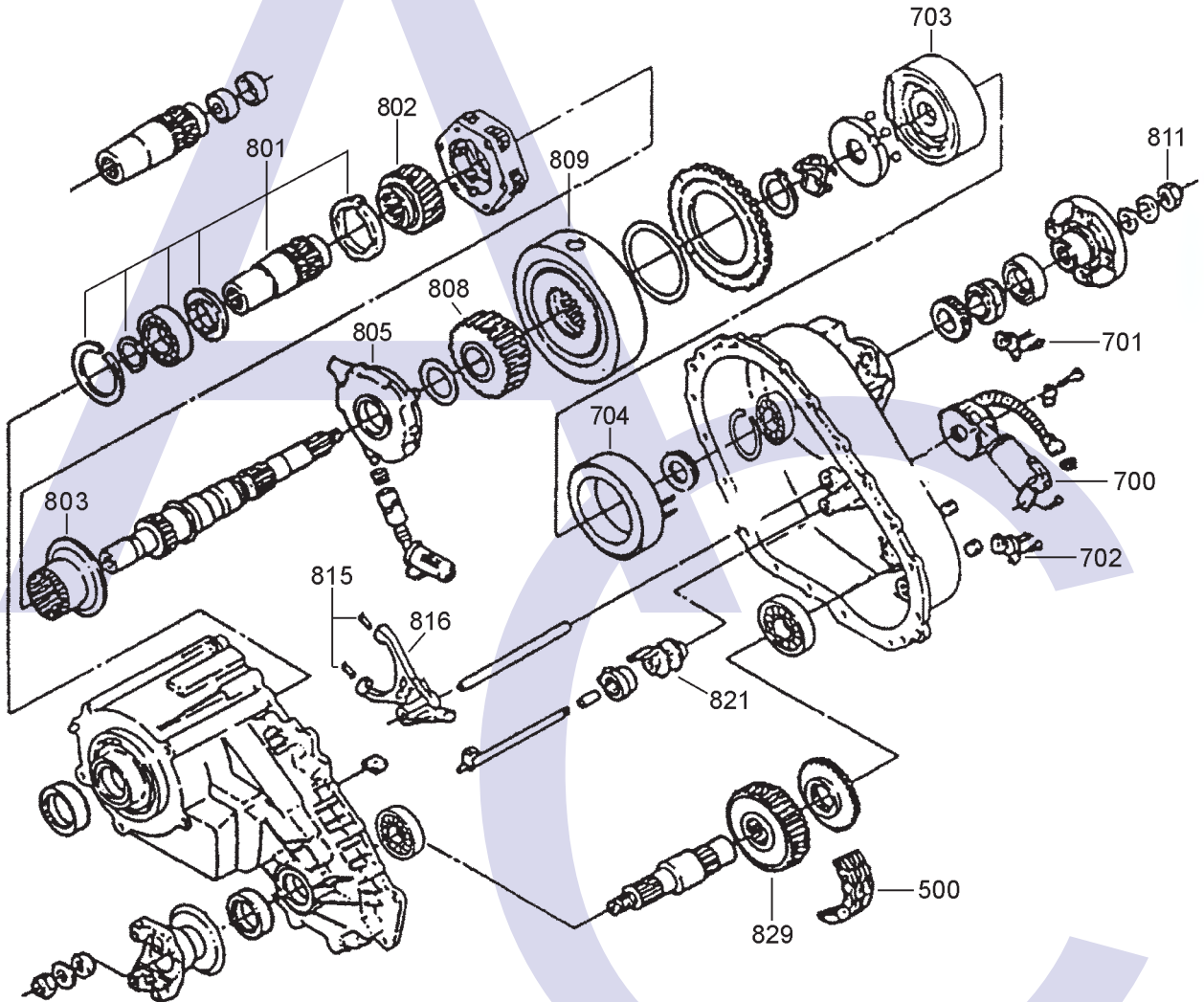
ELECTRIC SHIFT



AUTOMATIC CHOICE



THE AUTOMATIC TRANSMISSION PARTS WAREHOUSE



ELECTRIC SHIFT



AUTOMATIC CHOICE



THE AUTOMATIC TRANSMISSION PARTS WAREHOUSE

ILL NO.	DESCRIPTION	YEARS	QTY	PART NO
MASTER OVERHAUL KITS				
OVERHAUL GASKET AND SEAL KITS				
Kit	Gasket & Seal Kit.....	92-ON	1	YBW4405.GSK01
GASKET & RUBBER COMPONENTS				
METAL CLAD SEALS				
BUSHINGS, BEARINGS & WASHERS				
DRIVE CHAINS				
500	Drive Chain	92-ON	1	YBW4405.CH01
500	Drive Chain Explorer (With Torque on Demand)	09/98-09/00	1	YBW4405.CH02
ELECTRICAL COMPONENTS				
700	Shift Motor (Explorer).....	92-ON	1	YBW4405.ELE01
701	Upper Speed Sensor (Explorer)	92-ON	1	YBW4405.ELE03
702	Lower Speed Sensor Explorer)	92-ON	1	YBW4405.ELE02
703	Coil Housing.....	92-ON	1	YBW4405.ELE04
704	Electronic Coil Assembly.....	92-ON	1	YBW4405.ELE05
HARD PARTS				
801	Input Shaft Assy	92-ON	1	YBW4405.SH01
802	Reduction Sun Gear	92-ON	1	YBW4405.SUN01
803	Reduction Hub	92-ON	1	YBW4405.HUB01
805	Gerotor Pump Assembly	92-ON	1	YBW4405.PUM01
808	Drive Sprocket Explorer.....	92-98	1	YBW4405.GE02
808	Drive Sprocket Explorer	09/98-09/00	1	YBW4405.GE04
809	Clutch Assy Complete (Explorer)	92-ON	1	YBW4405.DRU01
811	Nut, Flange (Explorer).....	92-ON	2	YBW4405.NUT01
815	Shift Fork Insert.....	92-ON	1	YBW4408.PIN01
816	Range Fork With Pads (Explorer)	92-ON	1	YBW4405.SEL01
821	Electric Shift Cam	92-ON	1	YBW4405.CAM01
829	Driven Sprocket Explorer	92-98	1	YBW4405.GE01
829	Driven Sprocket Explorer	09/98-09/00	1	YBW4405.GE03

ILL NO.	DESCRIPTION	YEARS	QTY	PART NO
MOUNTINGS				
TRANSFER CASE ASSY'S				
NI	Rebuilt Transfer Box Assy (Electronic Speed Sensor).....	92-ON	1	YBW4405.008