

# KM170, KM171, KM172, F3A21, F3A22

## 3 SPEED FWD (Lock Up & Non Lock Up)

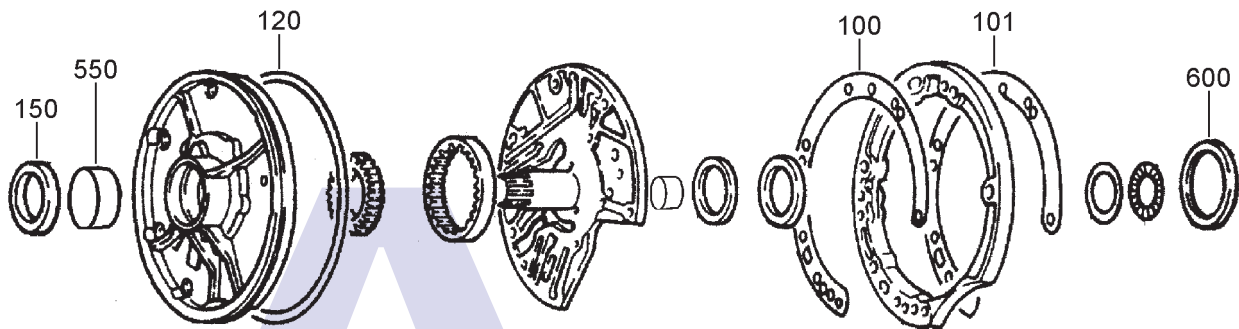


AUTOMATIC CHOICE



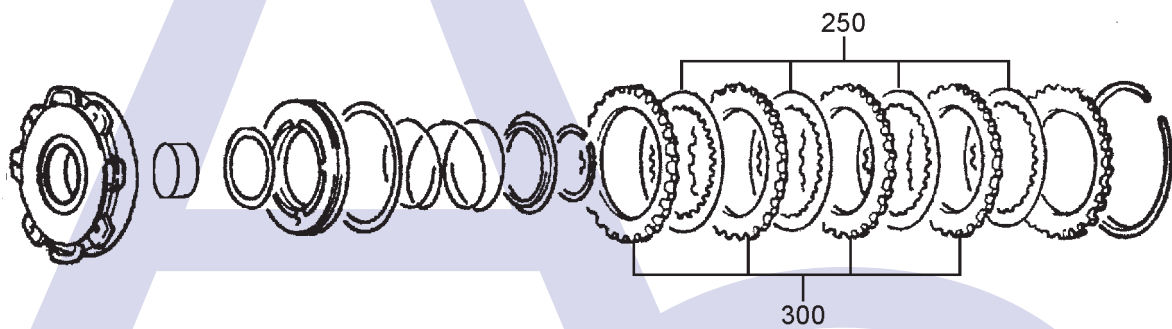
THE AUTOMATIC TRANSMISSION PARTS WAREHOUSE

**A**



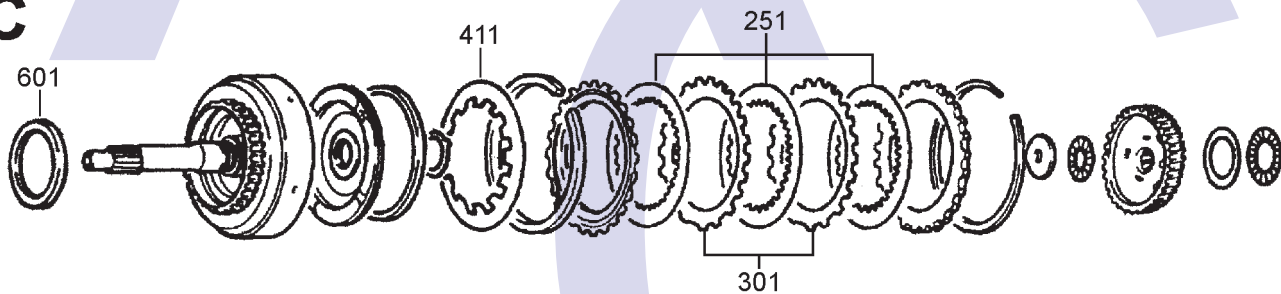
PUMP

**B**



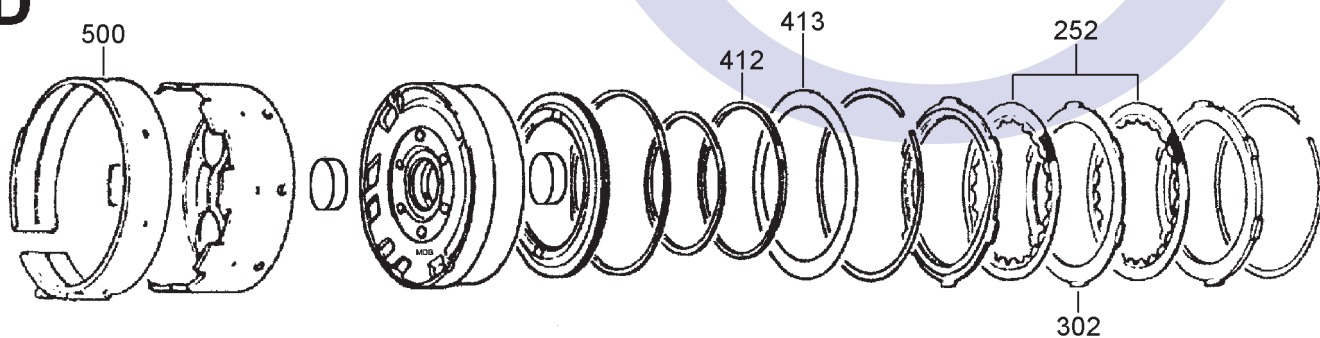
DIRECT CLUTCH

**C**



FORWARD CLUTCH

**D**



BAND AND LOW REVERSE BRAKE



# KM170, KM171, KM172, F3A21, F3A22

## 3 SPEED FWD (Lock Up & Non Lock Up)



AUTOMATIC CHOICE



THE AUTOMATIC TRANSMISSION PARTS WAREHOUSE

ILL NO.	DESCRIPTION	YEARS	QTY	PART NO
<b>KITS</b>				
Kit	Overhaul (Transtec).....	79-88	1	<b>KM170.OHK01</b>
Kit	Overhaul KM171-5 & 172-5) (Transtec).....	89-ON	1	<b>KM170.OHK02</b>
Kit	Overhaul KM171-5 & 172-5) (Precision).....	89-ON	1	<b>KM170.OHK51</b>
Kit	Overhaul KM171-5 & 172-5) With Viton Seals (Precision) .....	89-ON	1	<b>KM170.OHK52</b>
<b>GASKETS &amp; RUBBER COMPONENTS</b>				
100A	Pump Gasket .....	82-ON	1	<b>KM170.GAS06</b>
101A	Pump Gasket .....	82-ON	1	<b>KM170.GAS06</b>
102G	Case to Converter Housing.....	79-83	1	<b>KM170.GAS03</b>
102G	Case to Converter Housing.....	84-88	1	<b>KM170.GAS04</b>
102G	Case to Converter Housing.....	89-ON	1	<b>KM170.GAS05</b>
103G	Pan Gasket (12 Bolt).....	79-ON	1	<b>KM170.GAS01</b>
103G	Pan Gasket (12 Bolt) (Fibre).....	79-ON	1	<b>KM170.GAS10</b>
<b>RUBBER COMPONENTS</b>				
120A	Pump 'O' Ring.....	79-ON	1	<b>KM170.OR01</b>
<b>METAL CLAD SEALS</b>				
150A	Converter Seal.....	79-ON	1	<b>KM170.MCS01</b>
<b>FRICITION PLATES</b>				
Kit	Friction Plate (Alto) (KM170 & KM171) .....	79-84	1	<b>KM170.FRK51</b>
Kit	Friction Plate (Alto) (KM170, KM171 & 172) .....	79-88	1	<b>KM170.FRK52</b>
Kit	Friction Plate (Alto) (KM171, 172, F3A21, F3A22)... ..	89-ON	1	<b>KM170.FRK53</b>
250B	High/Rev (Front) Friction (127 O.D. x 100 I.D. x 38T x 2.10mm Thick) .....	79-88	2	<b>KM170.FRP01</b>
250B	High/Rev (Front) Friction (127 O.D. x 104 I.D. x 38T x 1.90mm Thick) .....	89-ON	3	<b>KM170.FRP04</b>
251C	Forward (Rear) Friction (127 x 10T x 2.00mm Thick) .....	79-88	2	<b>KM170.FRP02</b>
251C	Forward (Rear) Friction (127 x 38T x 1.90mm Thick) .....	89-ON	3	<b>KM170.FRP04</b>
252D	Low & Reverse Friction (152 O.D. x 48T x 1.80mm) .....	79-88	4	<b>KM170.FRP03</b>
252D	Low & Reverse Friction (152 O.D. x 51T x 1.85mm) .....	89-ON	6	<b>KM170.FRP05</b>

ILL NO.	DESCRIPTION	YEARS	QTY	PART NO
<b>STEEL PLATES</b>				
Kit	Steel Plate (Alto) (KM170 & KM171) .....	79-84	1	<b>KM170.STK51</b>
Kit	Steel Plate (Alto) (KM170, KM171 & 172) .....	79-88	1	<b>KM170.STK52</b>
Kit	Steel Plate (Alto) (KM171, 172, F3A21, F3A22)... ..	89-ON	1	<b>KM170.STK53</b>
300B	High/Rev (Front) Steel (99mm I.D. x 3.80mm x 24T) .....	79-88	3	<b>KM170.STP01</b>
300B	High/Rev (Front) Steel (104.4 I.D. x 3.70mm x24T) .....	89-ON	3	<b>KM170.STP02</b>
301C	Forward (Rear) Steel (99mm I.D. x 1.80mm x 24T) .....	79-88	2	<b>KM170.STP03</b>
301C	Forward (Rear) Steel (104.4 I.D. x 1.80mm x 24T) .....	89-ON	2	<b>KM170.STP04</b>
302D	Low & Reverse Brake (127mm ID x 1.80mm x 6T) .....	79-81	3	<b>KM170.STP10</b>
302D	Low & Reverse Brake (127mm ID x 1.80mm x 12T) .....	82-84	3	<b>KM170.STP11</b>
302D	Low & Reverse Brake (KM171) (127mm ID x 1.00mm x 24T) .....	84-88	5	<b>KM170.STP12</b>
302D	Low & Reverse Brake (KM172) (127mm ID x 1.80mm x 24T) .....	85-88	5	<b>KM170.STP13</b>
<b>SPRINGS &amp; CIRCLIPS</b>				
412D	Wave Spring Low/Rev Piston (132mm O.D.) .....	82-89	1	<b>KM170.DIA01</b>
412D	Wave Spring Low/Rev Piston (140mm O.D.) .....	89-ON	1	<b>KM170.DIA02</b>
411C	Fwd Clutch Diaphragm (12 Fingers).....	79-91	1	<b>KM170.DIA03</b>
411C	Fwd Clutch Diaphragm (15 Fingers).....	91-ON	1	<b>KM170.DIA04</b>
413D	Low/Rev Diaphragm .....	89-ON	1	<b>KM170.DIA05</b>
<b>FILTERS</b>				
450G	Dacron Screen .....	79-81	1	<b>KM170.FIL01</b>
450G	Dacron Screen .....	82-ON	1	<b>KM170.FIL02</b>
450G	Dacron Screen .....	83-ON	1	<b>KM170.FIL03</b>
See seperate data sheet for filter identification				
<b>BANDS</b>				
500D	Kickdown Band (40mm Wide)... All		1	<b>KM170.BAN01</b>
500D	Kickdown Band (40mm Wide) (Alto) .....	All	1	<b>KM170.BAN02</b>
500D	Kickdown Band (40mm Wide) (Borg Warner) .....	All	1	<b>KM170.BAN21</b>
<b>BUSHINGS</b>				
Kit	Bush Kit.....	To-88	1	<b>KM170.BK01</b>
Kit	Bush Kit.....	89-ON	1	<b>KM175.BK01</b>
Kit	Bush Kit.....	79-92	1	<b>KM170.BK03</b>
550A	Pump Bush .....	79-ON	1	<b>KM170.BUS01</b>

# KM170, KM171, KM172, F3A21, F3A22

## 3 SPEED FWD (Lock Up & Non Lock Up)



AUTOMATIC CHOICE



THE AUTOMATIC TRANSMISSION PARTS WAREHOUSE

ILL NO.	DESCRIPTION	YEARS	QTY	PART NO
<b>THRUST BEARING &amp; WASHERS</b>				
600A	Thrust Washer, Pump to Direct Clutch Drum Selective (1.80mm)		AR	<b>KM170.THW03</b>
600A	Thrust Washer, Pump to Direct Clutch Drum Selective (2.20mm)		AR	<b>KM170.THW02</b>
600A	Thrust Washer, Pump to Direct Clutch Drum Selective (2.60mm)		AR	<b>KM170.THW01</b>
600A	Thrust Washer, Pump to Direct Clutch Drum Selective (3.00mm)		AR	<b>KM170.THW04</b>
601C	Thrust Washer Dir Clutch Drum to Fwd Clutch Drum Selective (1.80mm)		AR	<b>KM170.THW03</b>
601C	Thrust Washer Dir Clutch Drum to Fwd Clutch Drum Selective (2.20mm)		AR	<b>KM170.THW02</b>
601C	Thrust Washer Dir Clutch Drum to Fwd Clutch Drum Selective (2.60mm)		AR	<b>KM170.THW01</b>
<b>HARD PARTS</b>				
817E	One Way Clutch (17.80mm Wide) Measured W.Both End Caps.....	84-ON	1	<b>TH180.OWC01</b>
NI	Manual Valve .....	79-ON	1	<b>KM170.VA01</b>
<b>MANUALS &amp; SPECIAL TOOLS</b>				
NI	ATSG Manual.....			<b>KM170.MAN01</b>
<a href="#">Click here to view special tools for this transmission</a>				

ILL NO.	DESCRIPTION	YEARS	QTY	PART NO
---------	-------------	-------	-----	---------