

RO, MPRA, MP7A, SP7A, S4XA, SKWA

Integra 90-01 FWD (Electronic Control)

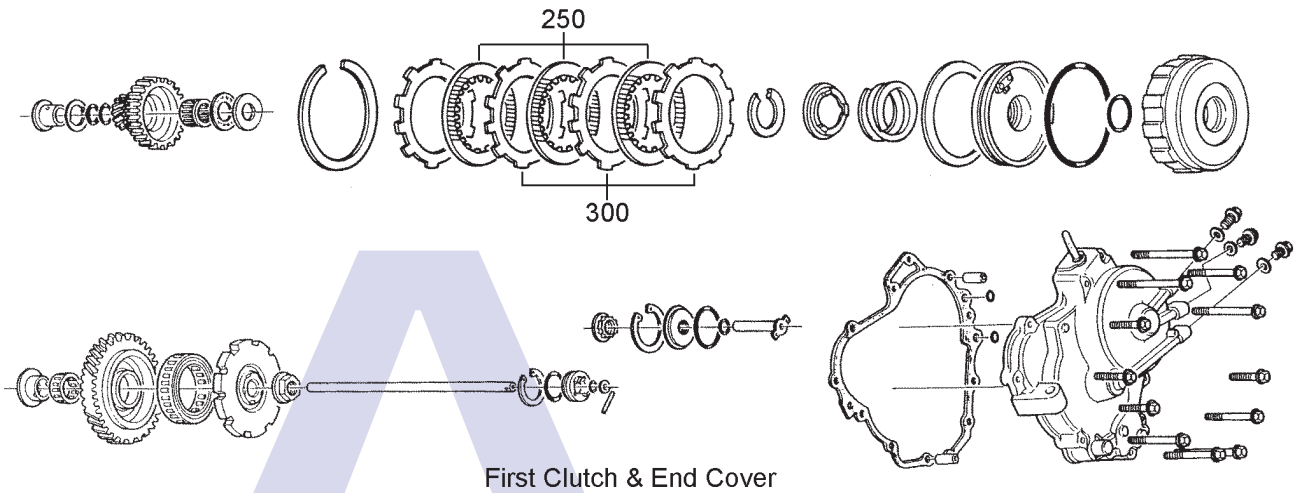


AUTOMATIC CHOICE

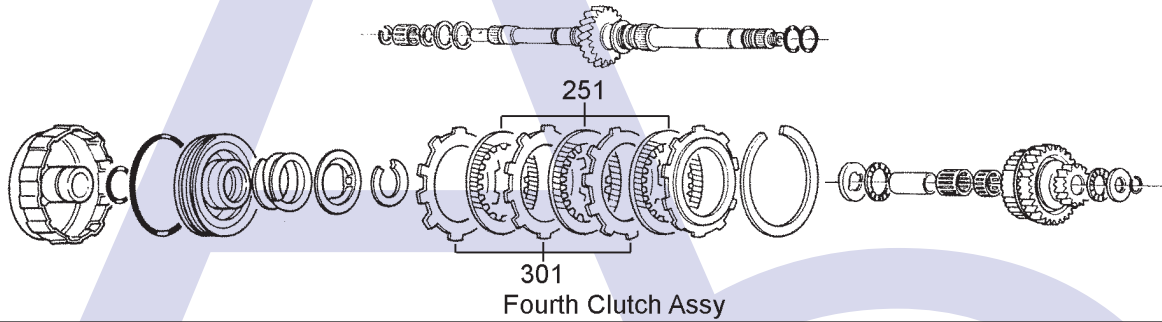


THE AUTOMATIC TRANSMISSION PARTS WAREHOUSE

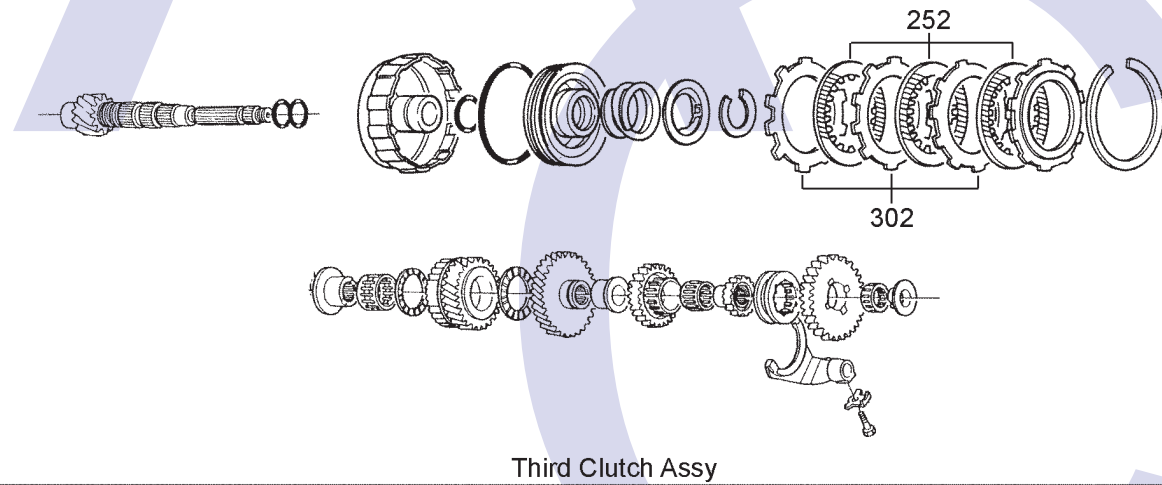
A



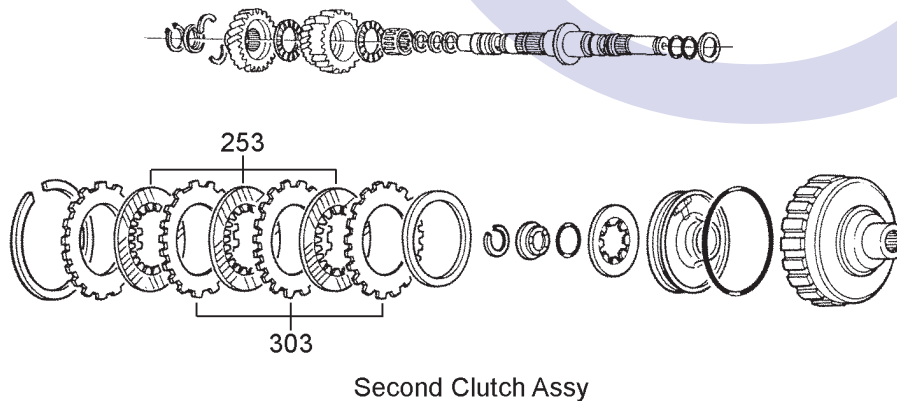
B



C



D



RO, MPRA, MP7A, SP7A, S4XA, SKWA

Integra 90-01 FWD (Electronic Control)

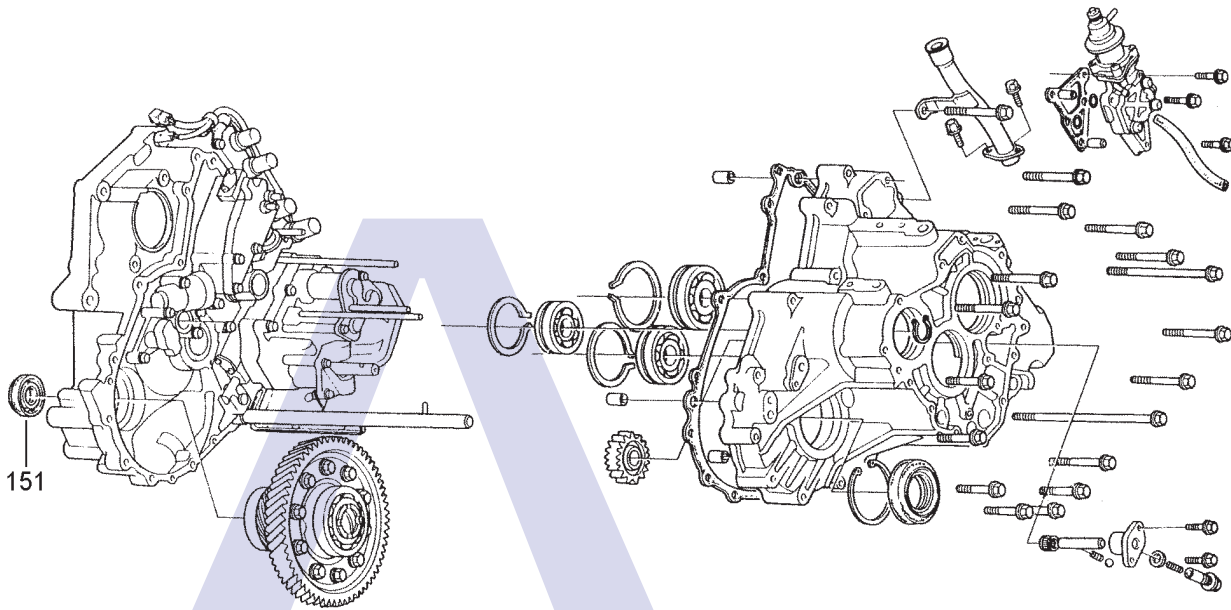


AUTOMATIC CHOICE

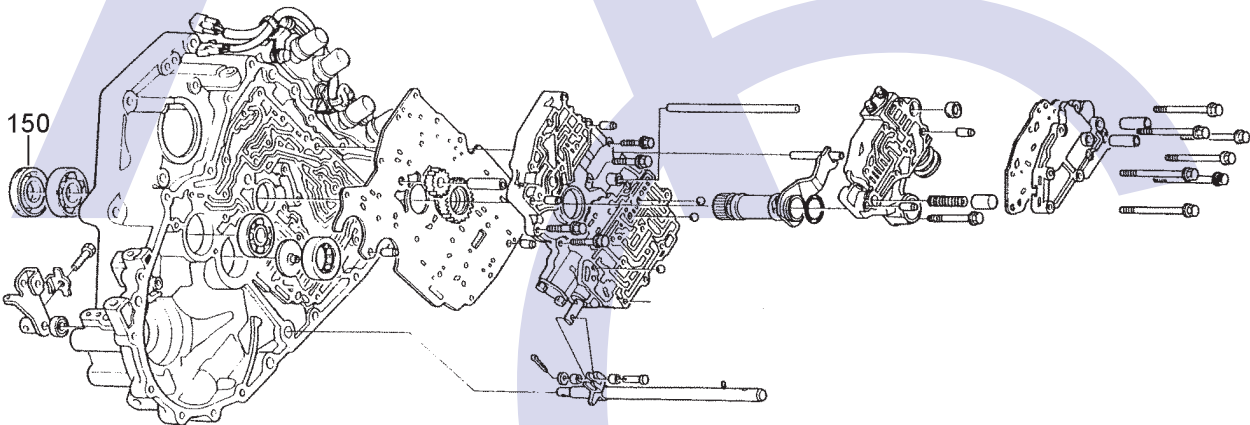


THE AUTOMATIC TRANSMISSION PARTS WAREHOUSE

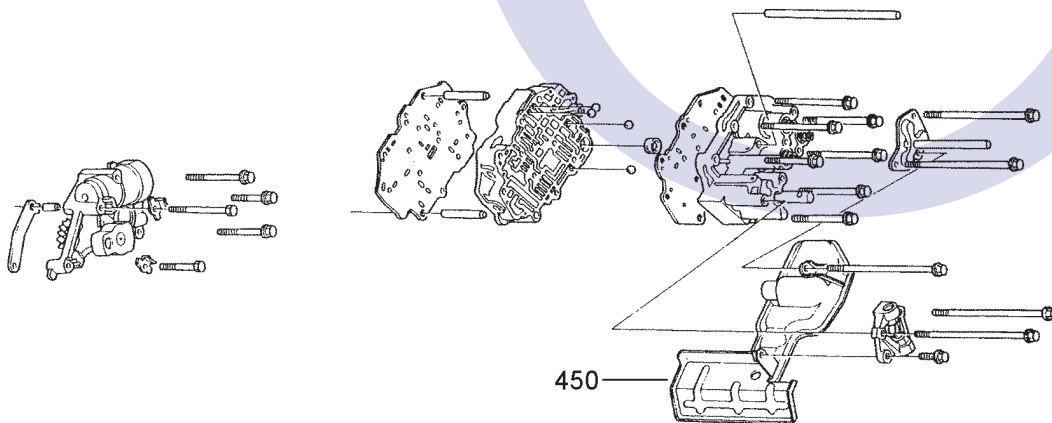
E



F



G



RO, MPRA, MP7A, SP7A, S4XA, SKWA

Integra 90-01 FWD (Electronic Control)



AUTOMATIC CHOICE



THE AUTOMATIC TRANSMISSION PARTS WAREHOUSE

ILL NO.	DESCRIPTION	YEARS	QTY	PART NO
KITS				
Kit	Overhaul (Transtec) (RO, MPRA)	90-93	1	HON4.OHK08
Kit	Overhaul (Precision) (RO, MPRA)	90-93	1	HON4.OHK61
Kit	Overhaul (Transtec) (MP7A, SP7A, S4XA, SKWA) ..	94-ON	1	HON4.OHK15
Kit	Overhaul (Transtec) (MP7A, SP7A, S4XA, SKWA) ..	94-ON	1	HON4.OHK62
GASKETS				
RUBBER COMPONENTS				
METAL CLAD SEALS				
150F	Converter Seal	90-ON	1	HON4.MCS02
151E	Axle Seal Left Hand (RO, MPRA)	90-93	1	HON4.MCS04
SEALING RINGS				
FRICITION PLATES				
Kit	Friction Plate (Alto) (RO, MPRA)	90-93	1	HON4.FRK59
Kit	Friction Plate (Alto) (MP7A, SP7A)	92-95	1	HON4.FRK62
Kit	Friction Plate (Alto) (S4XA, SKWA)	96-ON	1	HON4.FRK63
250A	First Clutch (RO, MPRA, MP7A, SP7A) (116mm OD x 1.90mm x 41T) ..	90-95	3	HON4.FRP02
250A	First Clutch (Alto) (RO, MPRA, MP7A, SP7A) (116mm OD x 1.90mm x 41T) ..	90-95	3	HON4.FRP51
250A	First Clutch (S4XA, SKWA) (116mm OD x 2.00mm x 38T) ..	96-ON	3	HON4.FRP21
251B	Fourth Clutch (RO, MPRA) (116mm OD x 1.90mm x 41T) ..	90-93	3	HON4.FRP02
251B	Fourth Clutch (Alto) (RO, MPRA) (116mm OD x 1.90mm x 41T) ..	90-93	3	HON4.FRP51
251B	Fourth Clutch (MP7A, SP7A, S4XA, SKWA) (116mm OD x 2.00mm x 38T) ..	94-ON	3	HON4.FRP21
252C	Third Clutch (RO, MPRA) (116mm OD x 1.90mm x 41T) ..	90-93	3	HON4.FRP02
252C	Third Clutch (Alto) (RO, MPRA) (116mm OD x 1.90mm x 41T) ..	90-93	3	HON4.FRP51
252C	Third Clutch (MP7A, SP7A, S4XA, SKWA) (116mm OD x 2.00mm x 38T) ..	94-ON	3	HON4.FRP21

ILL NO.	DESCRIPTION	YEARS	QTY	PART NO
FRICITION PLATES Cont...				
253D	Second Clutch (RO, MPRA) (116mm OD x 1.90mm x 41T) ..	90-93	3	HON4.FRP02
253D	Second Clutch (Alto) (RO, MPRA) (116mm OD x 1.90mm x 41T) ..	90-93	3	HON4.FRP51
253D	Second Clutch (MP7A, SP7A, S4XA, SKWA) (116mm OD x 2.00mm x 38T) ..	94-ON	3	HON4.FRP21
STEEL PLATES				
Kit	Steel Plate (Alto) (RO)	1990	1	HON4.STK63
Kit	Steel Plate (Alto) (MPRA)	91-93	1	HON4.STK64
Kit	Steel Plate (Alto) (RO, MPRA Combo Kit)	90-93	1	HON4.STK65
Kit	Steel Plate (Alto) (MP7A, SP7A)	94-95	1	HON4.STK68
Kit	Steel Plate (Alto) (S4XA, SKWA)	96-ON	1	HON4.STK69
300A	First Clutch (RO, MPRA, MP7A) (87mm ID x 2.00mm x 10T)	90-95	3	HON4.STP02
300A	First Clutch (MP7A) (71mm ID x 2.00mm x 18T)	94-95	3	HON4.STP19
300A	First Clutch (S4XA) (82mm ID x 1.60mm x 10T)	96-01	3	HON4.STP25
301B	Fourth Clutch (RO, MPRA, MP7A) (87mm ID x 2.00mm x 10T)	90-95	3	HON4.STP02
301B	Fourth Clutch (MP7A, S4XA) (81mm ID x 2.00mm x 10T)	94-01	3	HON4.STP21
302C	Third Clutch (RO, MPRA, MP7A) (87mm ID x 2.00mm x 10T)	90-95	3	HON4.STP02
302C	Third Clutch (MP7A, S4XA) (82mm ID x 2.00mm x 10T)	94-01	3	HON4.STP21
303D	Second Clutch (RO) (87mm ID x 3.00mm x 24T)	1990	3	HON4.STP10
303D	Second Clutch (MPRA) (87mm ID x 2.00mm x 24T)	91-93	3	HON4.STP13
303D	Second Clutch (MP7A, S4XA) (81mm ID x 2.00mm x 10T)	94-01	3	HON4.STP21
PRESSURE PLATES				
SPRINGS & CIRCLIPS				

RO, MPRA, MP7A, SP7A, S4XA, SKWA

Integra 90-01 FWD (Electronic Control)



AUTOMATIC CHOICE



THE AUTOMATIC TRANSMISSION PARTS WAREHOUSE

ILL NO.	DESCRIPTION	YEARS	QTY	PART NO
FILTERS				
450G	Pick Up Filter (Integra) (RO, MPRA)	90-93	1	HON4.FIL19
450G	Pick Up Filter (Integra) (MP7A, SP7A, S4XA)	94-99	1	HON4.FIL10
450G	Pick Up Filter (Integra) (SKWA)	00-01	1	HON4.FIL16
BUSHINGS				
THRUST WASHERS & BEARINGS				
ELECTRICAL COMPONENTS				
VALVE BODY PARTS				
HARD PARTS				
SPECIAL ITEMS				
TOOLS & MANUALS				

ILL NO.	DESCRIPTION	YEARS	QTY	PART NO
---------	-------------	-------	-----	---------