

# HONDA MHTA, SZCA (Insight 01-06, Civic Hybrid 03-05)

## Constantly Variable FWD/4WD (Electronic Control)

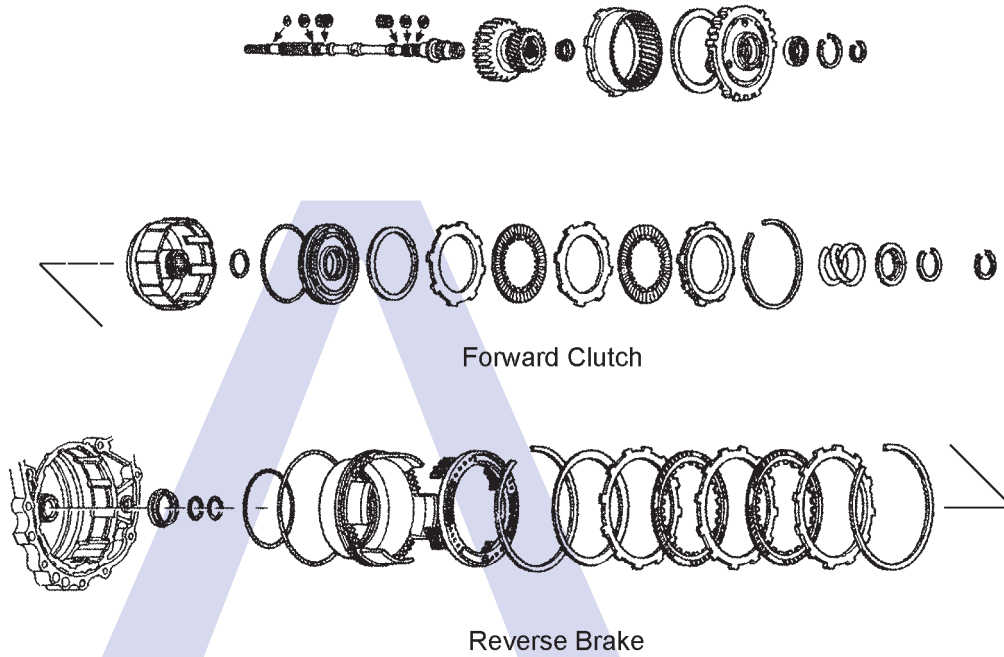


AUTOMATIC CHOICE

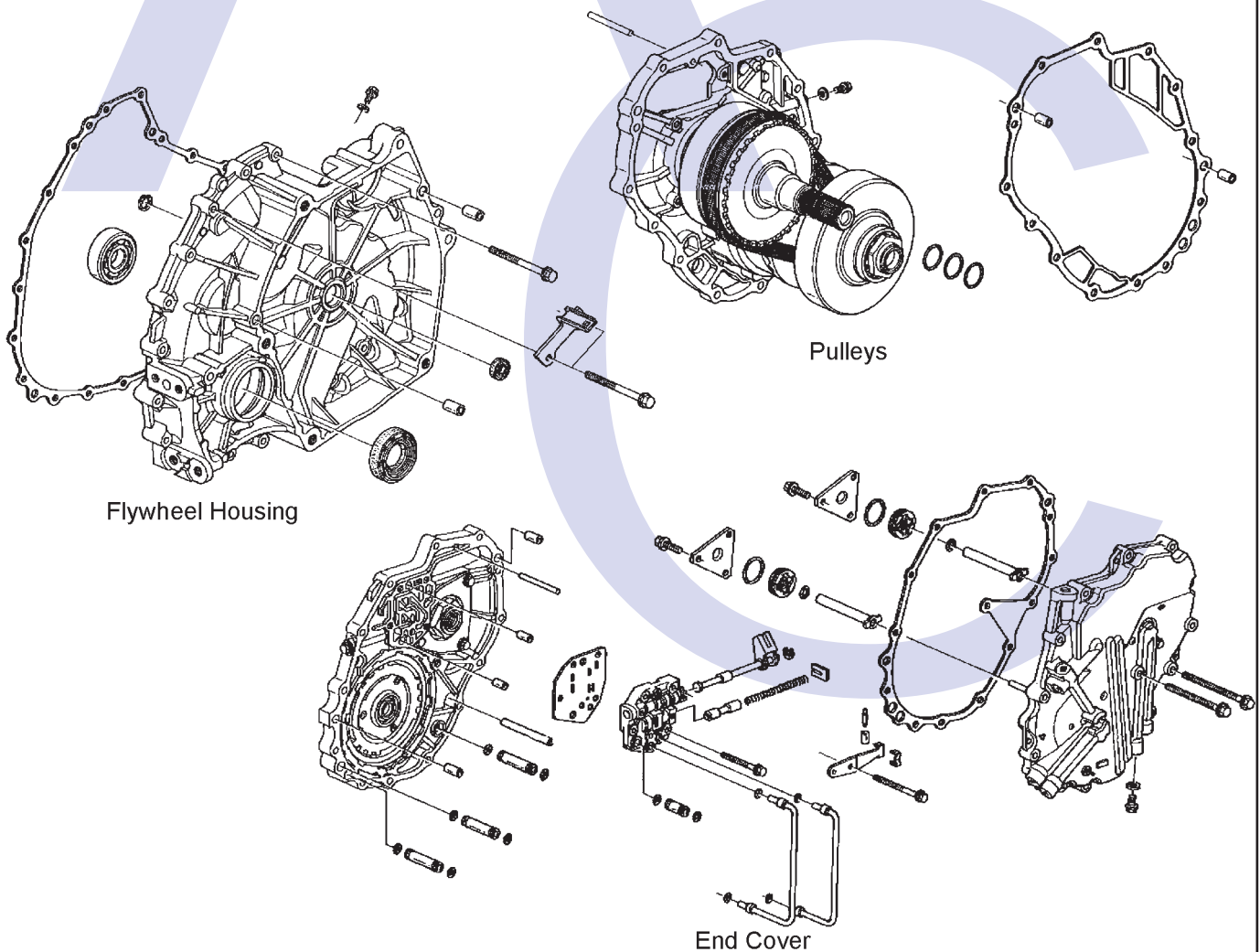


THE AUTOMATIC TRANSMISSION PARTS WAREHOUSE

A



B



# HONDA MHTA, SZCA (Insight 01-06, Civic Hybrid 03-05)

## Constantly Variable FWD/4WD (Electronic Control)

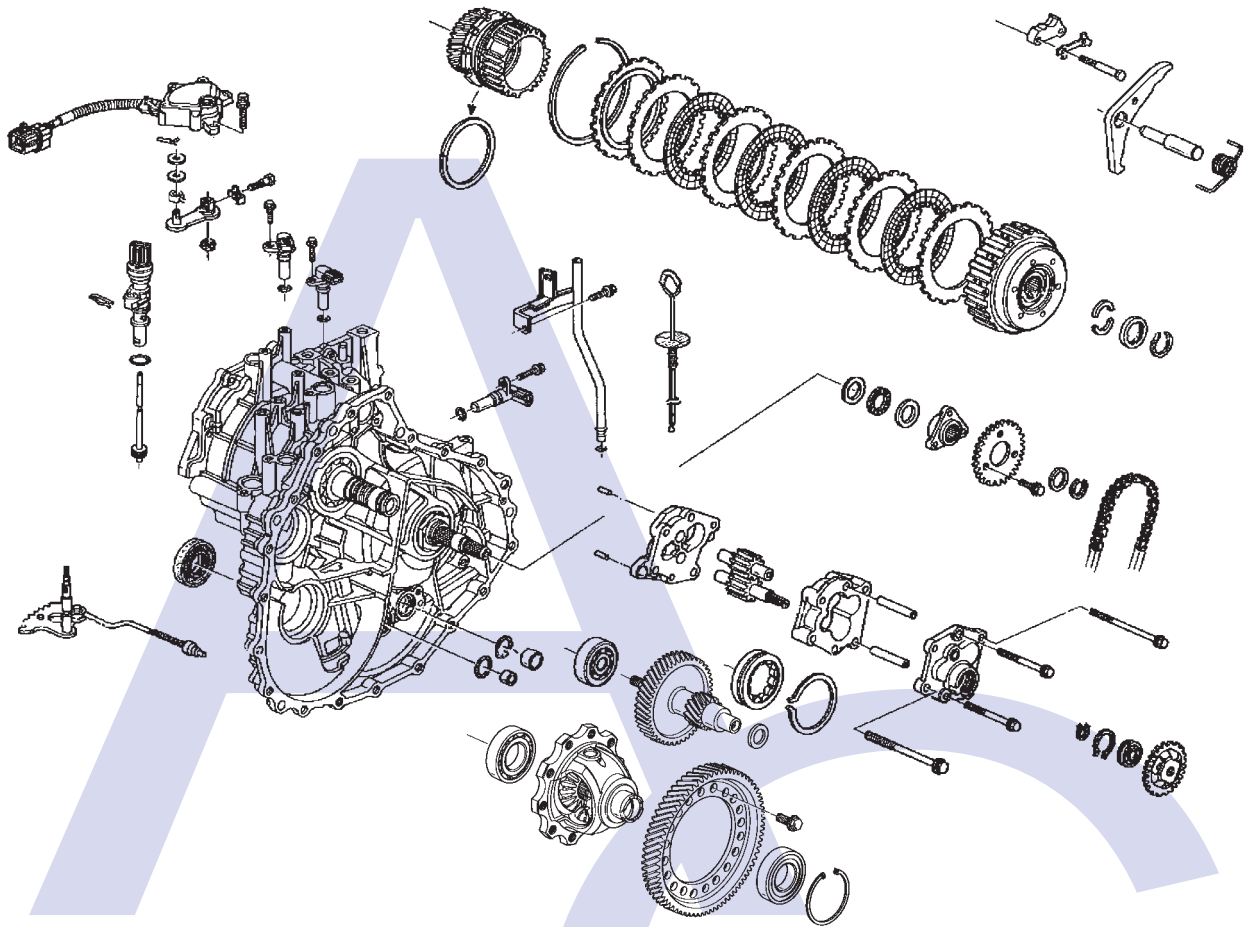


AUTOMATIC CHOICE



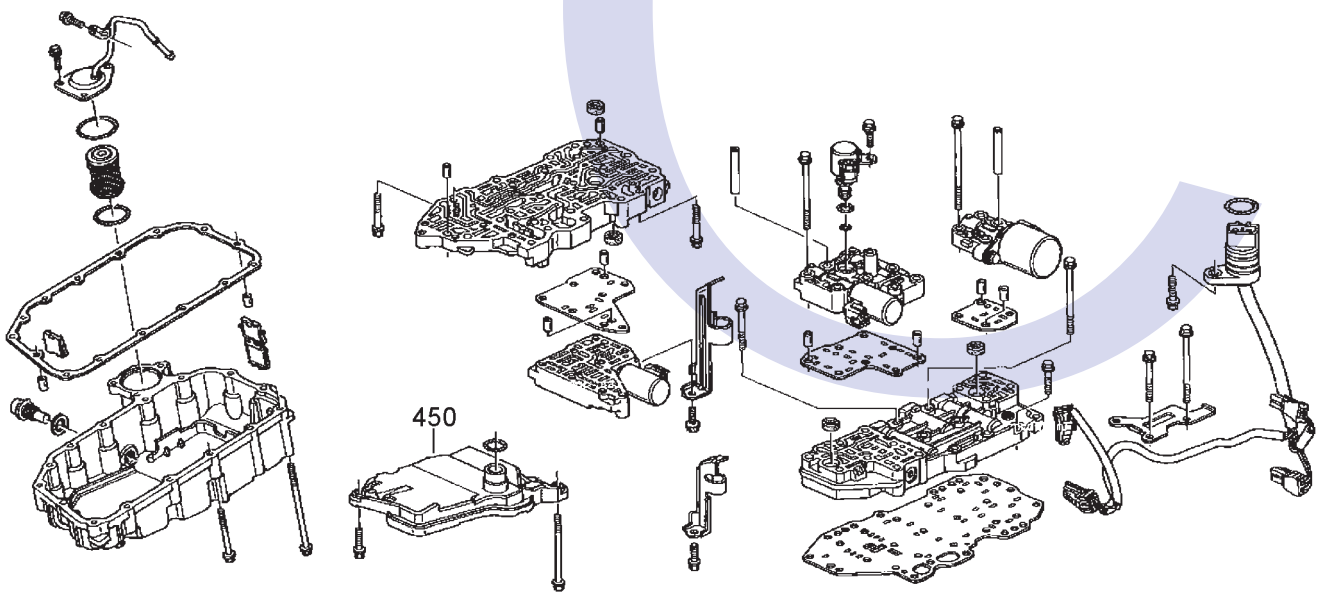
THE AUTOMATIC TRANSMISSION PARTS WAREHOUSE

C



Start Clutch, Oil Pump, Differential, Casing, Sensors Etc.

D



Oil Pan, Filters, Valve Body & Solenoids

# HONDA MHTA, SZCA (Insight 01-06, Civic Hybrid 03-05)

## Constantly Variable FWD/4WD (Electronic Control)



AUTOMATIC CHOICE



THE AUTOMATIC TRANSMISSION PARTS WAREHOUSE

ILL NO.	DESCRIPTION	YEARS	QTY	PART NO
<b>KITS</b>				
<b>GASKETS</b>				
<b>RUBBER COMPONENTS</b>				
<b>METAL CLAD SEALS</b>				
<b>MOULDED PISTONS</b>				
<b>SEALING RINGS</b>				
<b>FRICTION PLATES</b>				
<b>STEEL PLATES</b>				
<b>PRESSURE PLATES</b>				
<b>SPRINGS &amp; CIRCLIPS</b>				
<b>FILTERS</b>				
450D	Pick Up Filter.....	01-06	1	ECVT.FIL11
<b>BUSHINGS</b>				
<b>THRUST WASHERS &amp; BEARINGS</b>				

ILL NO.	DESCRIPTION	YEARS	QTY	PART NO
<b>ELECTRICAL COMPONENTS</b>				
<b>VALVE BODY PARTS</b>				
<b>HARD PARTS</b>				
<b>SPECIAL ITEMS</b>				
<b>TOOLS &amp; MANUALS</b>				

# HONDA MHTA, SZCA (Insight 01-06, Civic Hybrid 03-05)

## Constantly Variable FWD/4WD (Electronic Control)



A  
U  
T  
O  
M  
A  
T  
I  
C  
C  
H  
O  
I  
C  
E



T  
H  
E  
A  
U  
T  
O  
M  
A  
T  
I  
C  
T  
R  
A  
N  
S  
M  
I  
S  
S  
I  
O  
N  
P  
A  
R  
T  
S  
W  
A  
R  
E  
H  
O  
U  
S  
E

ILL NO. ....	DESCRIPTION	YEARS	QTY	PART NO
--------------	-------------	-------	-----	---------

ILL NO. ....	DESCRIPTION	YEARS	QTY	PART NO
--------------	-------------	-------	-----	---------