

B7XA (Accord V6 95-02), B7TA (Odyssey 3.0 99-01), B7VA (3.2TL 1999),
B7YA (Odyssey 3.0, Isuzu Oasis 99-01) M7ZA (3.0CL 96-99)

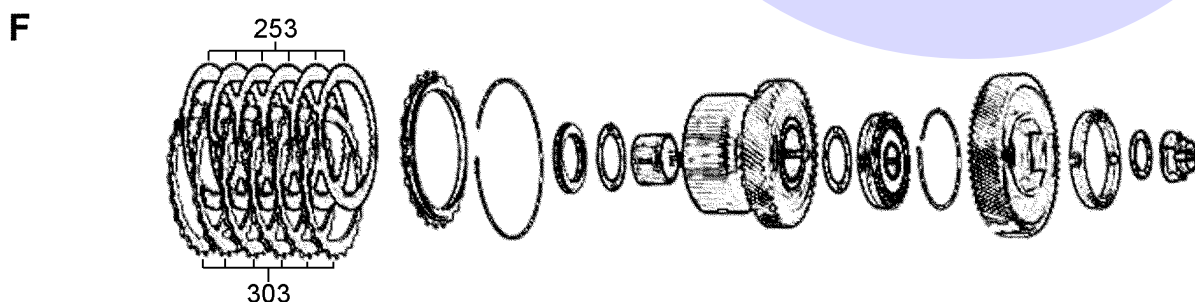
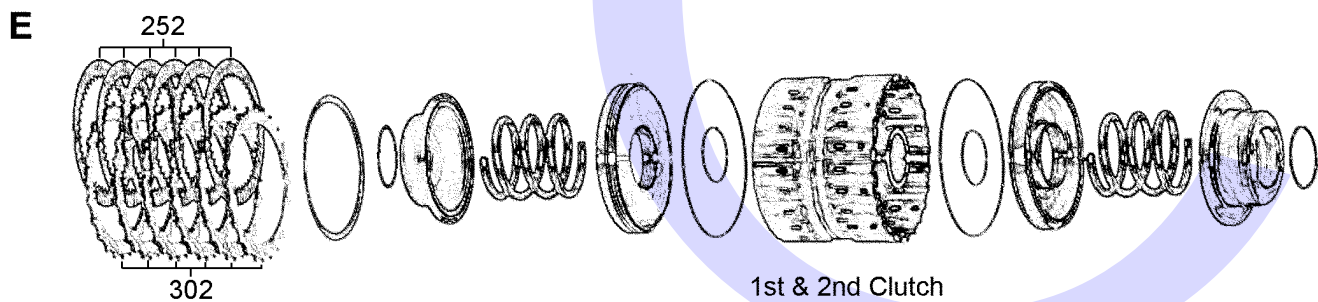
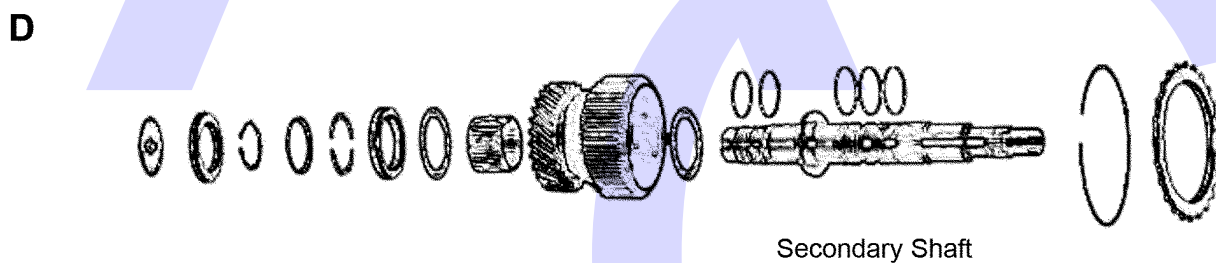
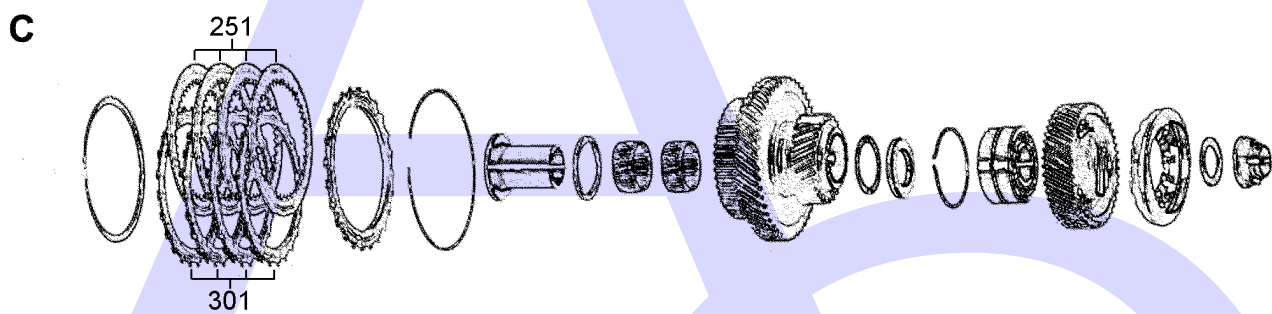
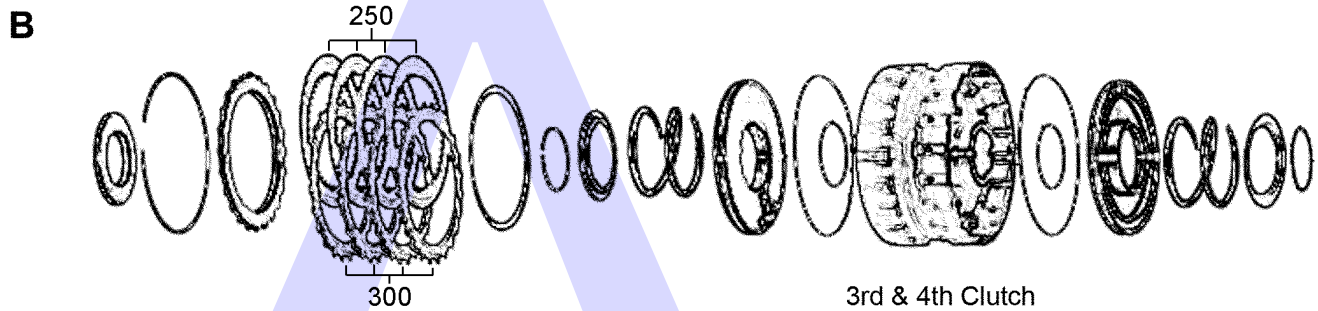
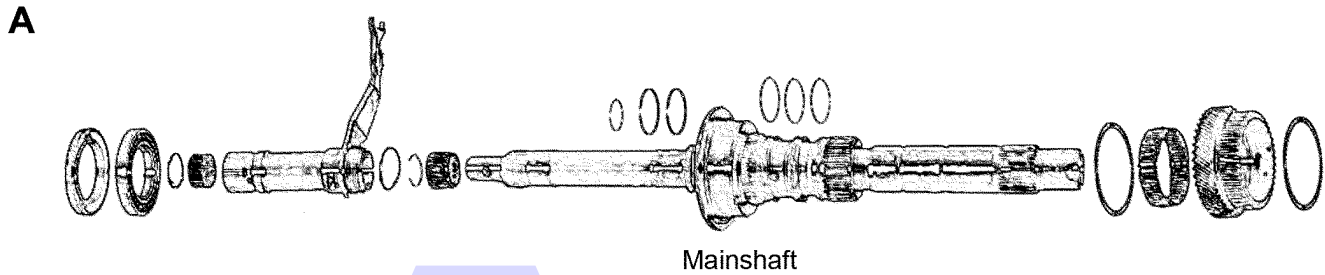
4 Speed 3 Shaft FWD (Electronic Control)



AUTOMATIC CHOICE



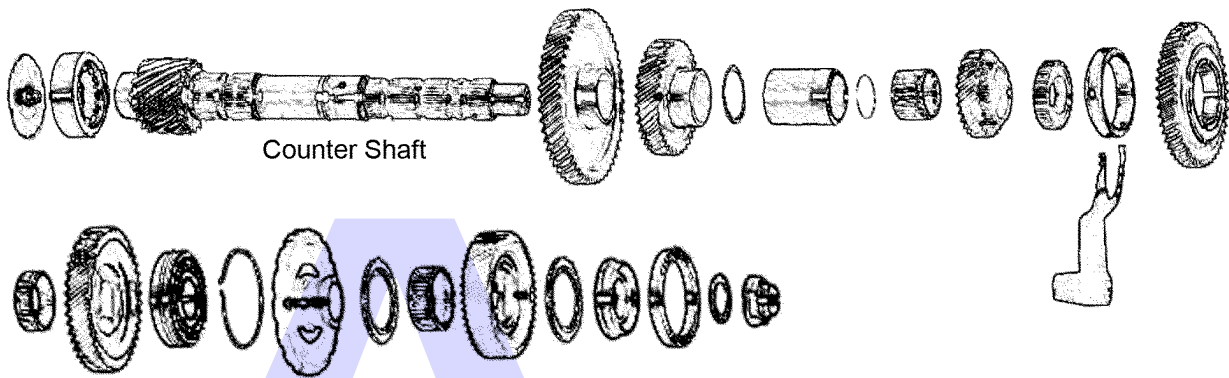
THE AUTOMATIC TRANSMISSION PARTS WAREHOUSE



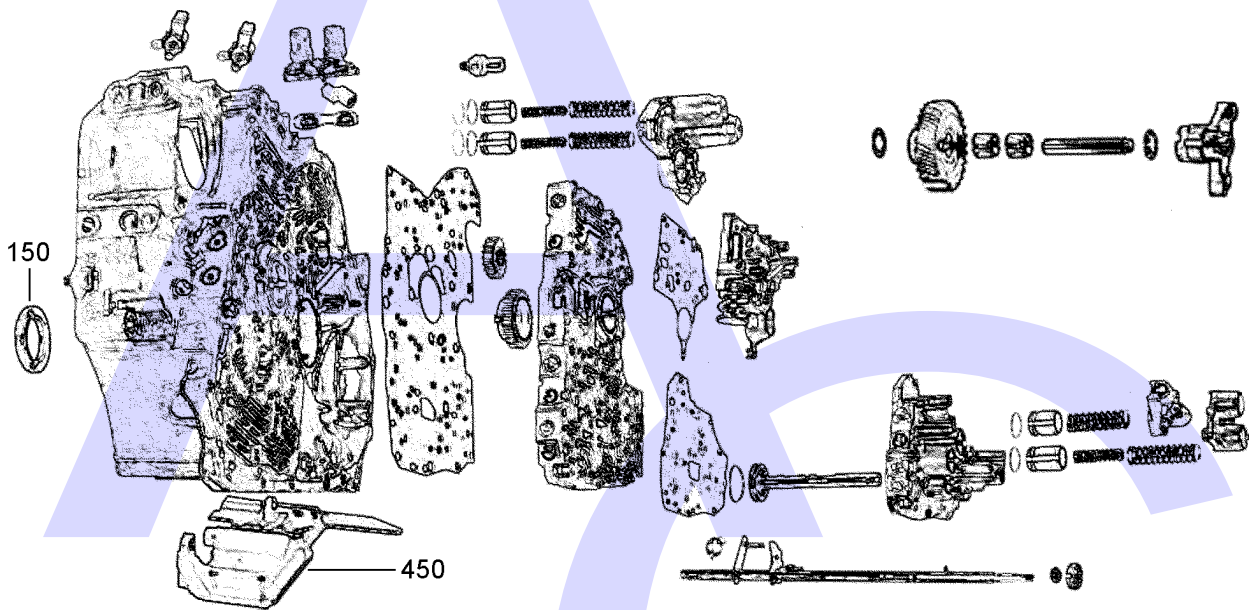
B7XA (Accord V6 95-02), B7TA (Odyssey 3.0 99-01), B7VA (3.2TL 1999),
B7YA (Odyssey 3.0, Isuzu Oasis 99-01) M7ZA (3.0CL 96-99)

4 Speed 3 Shaft FWD (Electronic Control)

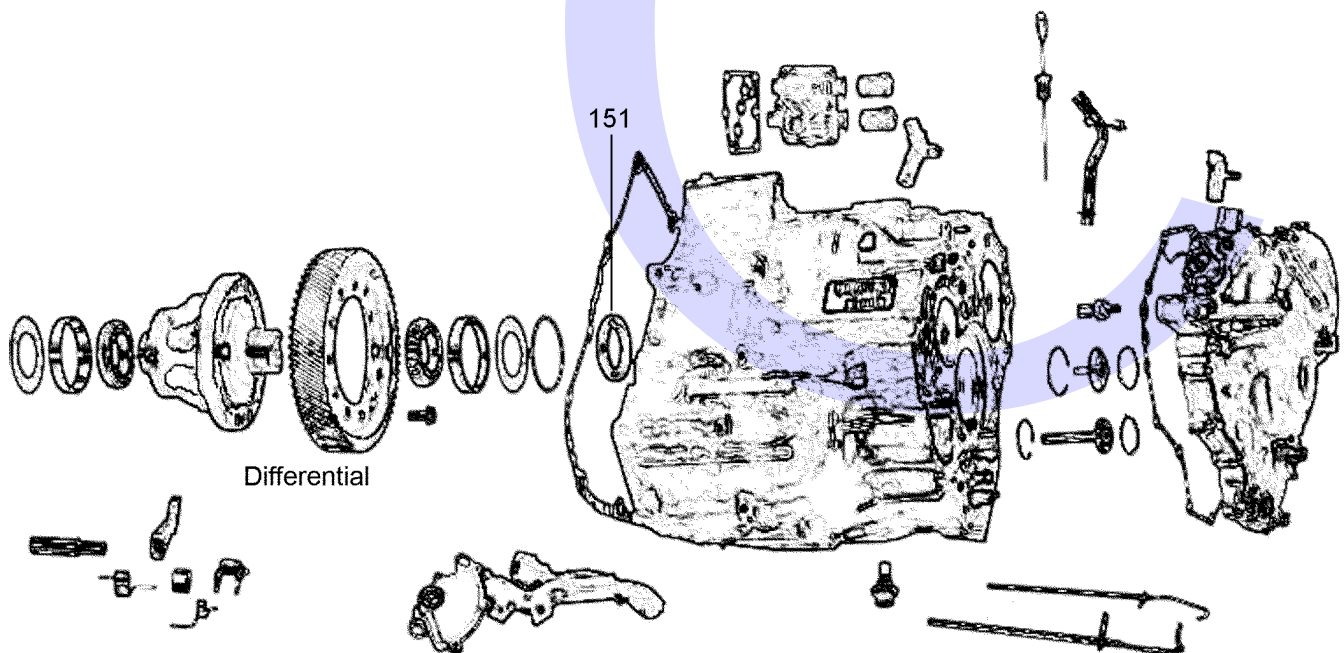
G



H



J



AUTOMATIC CHOICE



THE AUTOMATIC TRANSMISSION PARTS WAREHOUSE

**B7XA (Accord V6 95-02), B7TA (Odyssey 3.0 99-01), B7VA (3.2TL 1999),
B7YA (Odyssey 3.0, Isuzu Oasis 99-01) M7ZA (3.0CL 96-99)**

4 Speed 3 Shaft FWD (Electronic Control)



AUTOMATIC CHOICE



THE AUTOMATIC TRANSMISSION PARTS WAREHOUSE

ILL NO.	DESCRIPTION	YEARS	QTY	PART NO
KITS				
Kit	Overhaul (Transtec) (All Codes).....	95-02	1	HON4.OHK10
Kit	Overhaul (Precision).....	95-02	1	HON4.OHK55
GASKETS				
RUBBER COMPONENTS				
METAL CLAD SEALS				
150H	Converter Seal.....	95-02	1	HON4.MCS01
151J	Axle Seal Left Hand.....	95-02	1	HON4.MCS04
SEALING RINGS				
FRICTION PLATES				
Kit	Friction Plate (Alto) (B7TA, B7VA, B7YA).....	99-01	1	HON4.FRK55
Kit	Friction Plate (Alto) (B7XA, M7ZA).....	95-01	1	HON4.FRK68
250B	Third Clutch (Borg Warner) (B7XA, M7ZA) (120mm OD x 1.90mm x 44T) ..	95-02	4	HON4.FRP03
250B	Third Clutch (Alto) (B7XA, M7ZA) (120mm OD x 1.90mm x 44T) ..	95-02	4	HON4.FRP54
250B	Third Clutch Clutch (B7TA, B7VA, B7YA) (128mm OD x 1.95mm x 44T) ..	99-ON	4	HON4.FRP28
251C	Fourth Clutch (Borg Warner) (B7XA, M7ZA) (120mm OD x 1.90mm x 44T) ..	95-02	4	HON4.FRP03
251C	Fourth Clutch (Alto) (B7XA, M7ZA) (120mm OD x 1.90mm x 44T) ..	95-02	4	HON4.FRP54
251C	Fourth Clutch Clutch (B7TA, B7VA, B7YA) (128mm OD x 1.95mm x 44T) ..	99-ON	4	HON4.FRP28
252E	Low Clutch (Borg Warner) (B7XA, M7ZA) (120mm OD x 1.90mm x 44T) ..	95-02	6	HON4.FRP03
252E	Low Clutch (Alto) (B7XA, M7ZA) (120mm OD x 1.90mm x 44T) ..	95-02	6	HON4.FRP54
252E	Low Clutch (B7TA, B7VA, B7YA) (123mm OD x 1.95mm x 44T) ..	99-ON	6	HON4.FRP27
253F	Second Clutch (Borg Warner) (B7XA, M7ZA) (120mm OD x 1.90mm x 44T) ..	95-02	6	HON4.FRP03
253F	Second Clutch (Alto) (B7XA, M7ZA) (120mm OD x 1.90mm x 44T) ..	95-02	6	HON4.FRP54
253F	Second Clutch Clutch (B7TA, B7VA, B7YA) (123mm OD x 1.95mm x 44T) ..	99-ON	6	HON4.FRP27

ILL NO.	DESCRIPTION	YEARS	QTY	PART NO
STEEL PLATES				
Kit	Steel Plate (Alto) (B7TA, B7VA, B7YA).....	99-01	1	HON4.STK56
Kit	Steel Plate (Alto) (B7XA, M7ZA).....	95-02	1	HON4.STK76
300B	Third Clutch (B7XA, M7ZA) (93mm ID x 2.40mm x 24T)	95-02	4	HON4.STP05
300B	Third Clutch Selective (B7XA, M7ZA) (93mm ID x 2.10mm x 24T)	95-02	AR	HON4.STP26
301C	Fourth Clutch (B7XA, M7ZA) (93mm ID x 2.00mm x 24T)	95-02	4	HON4.STP03
301C	Fourth Clutch Selective (B7XA, M7ZA) (93mm ID x 2.10mm x 24T)	95-02	AR	HON4.STP26
302E	Low Clutch (B7XA, M7ZA) (93mm ID x 2.00mm x 24T)	95-02	6	HON4.STP03
302E	Low Clutch Selective (B7XA, M7ZA) (93mm ID x 2.10mm x 24T)	95-02	6	HON4.STP26
303F	Second Clutch (B7XA, M7ZA) (93mm ID x 2.00mm x 24T)	95-02	6	HON4.STP03
303F	Second Clutch Selective (B7XA, M7ZA) (93mm ID x 2.10mm x 24T)	95-02	AR	HON4.STP26
PRESSURE PLATES				
SPRINGS & CIRCLIPS				
FILTERS				
450H	Pick Up Filter (Plastic) (B7XA, B7TA, B7VA, B7YA, M7ZA).....	95-01	1	HON4.FIL14
BUSHINGS				
THRUST WASHERS & BEARINGS				
ELECTRICAL COMPONENTS				

**B7XA (Accord V6 95-02), B7TA (Odyssey 3.0 99-01), B7VA (3.2TL 1999),
 B7YA (Odyssey 3.0, Isuzu Oasis 99-01) M7ZA (3.0CL 96-99)**

4 Speed 3 Shaft FWD (Electronic Control)

ILL NO.	DESCRIPTION	YEARS	QTY	PART NO
VALVE BODY PARTS				
HARD PARTS				
SPECIAL ITEMS				
TOOLS & MANUALS				

ILL NO.	DESCRIPTION	YEARS	QTY	PART NO



**A
A
U
T
O
M
A
T
I
C
C
H
O
I
C
E**



**T
H
E
A
U
T
O
M
A
T
I
C
T
R
A
N
S
M
I
S
S
I
O
N
P
A
R
T
S
W
A
R
E
H
O
U
S
E**