

# TOYOTA U150, U151 01-ON, U250 05-ON

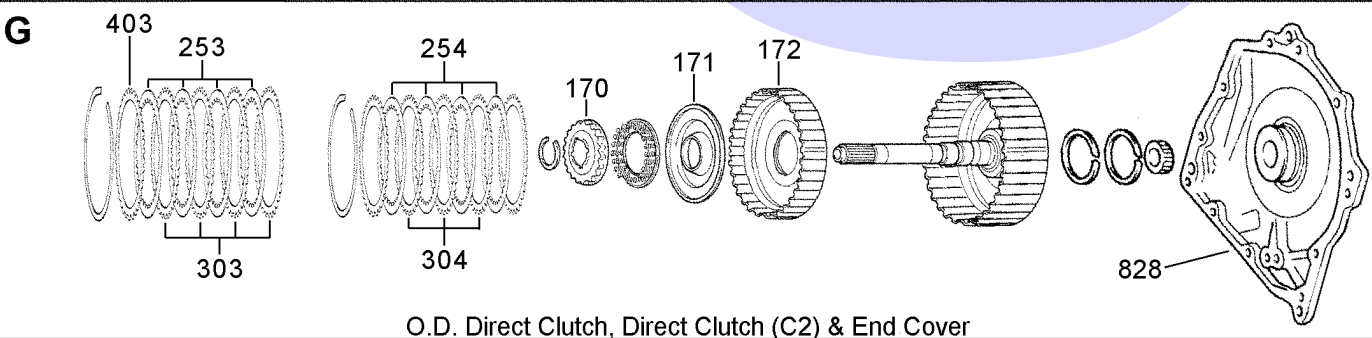
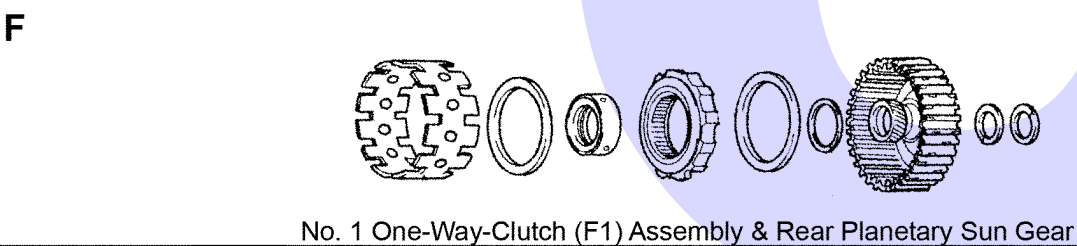
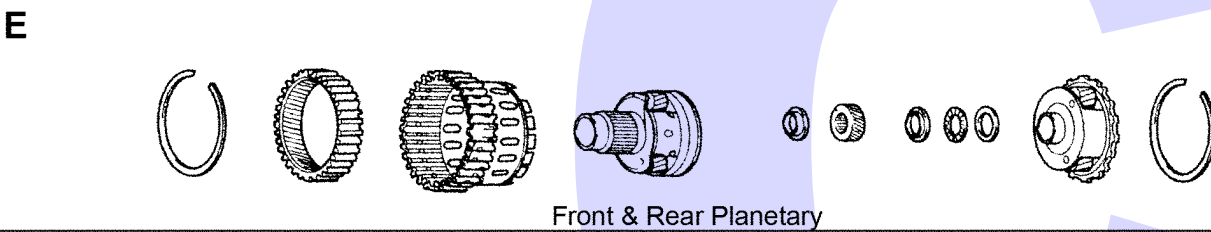
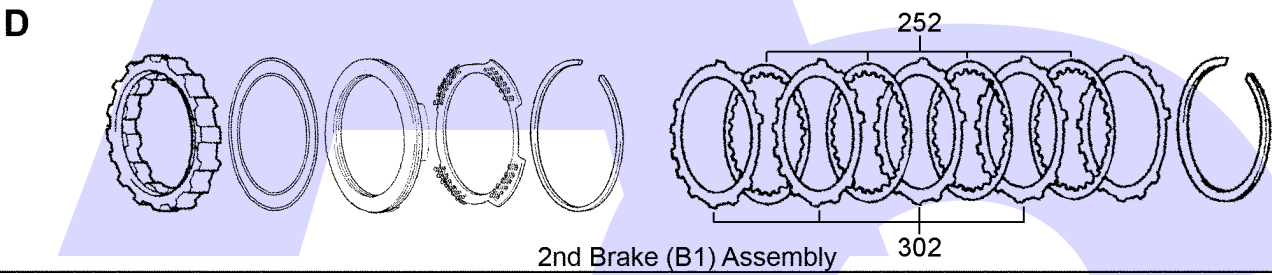
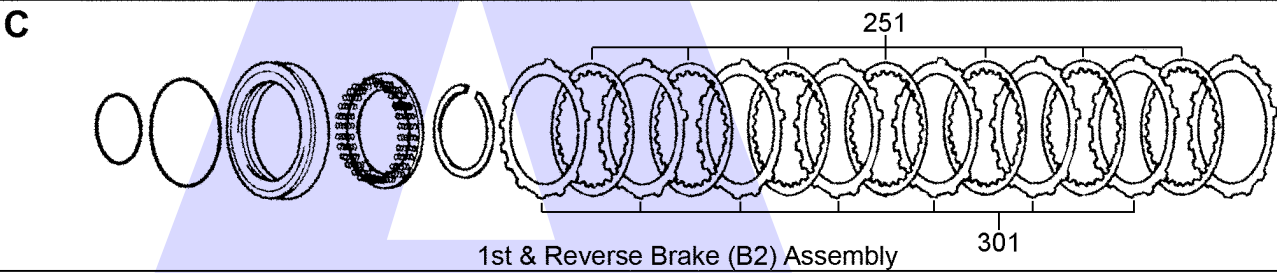
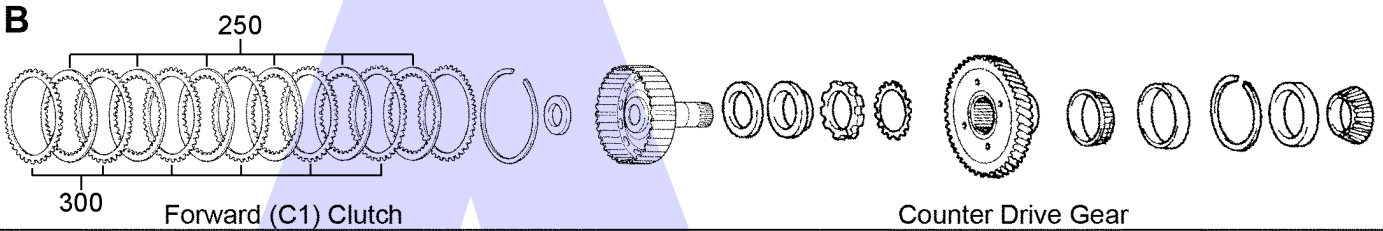
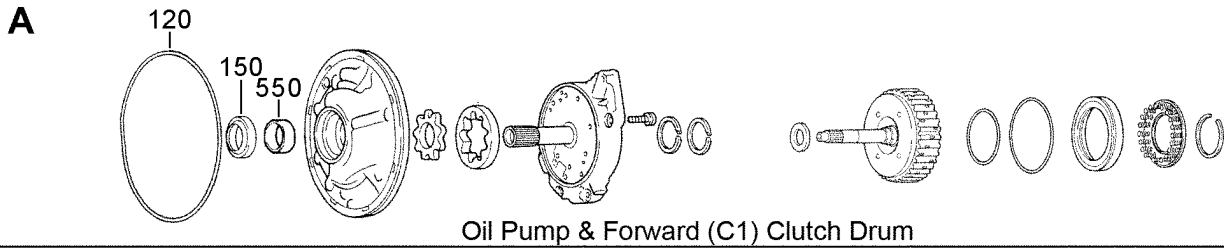
## 5 SPEED FWD & AWD (Electronic Control)



AUTOMATIC CHOICE



THE AUTOMATIC TRANSMISSION PARTS WAREHOUSE



# TOYOTA U150, U151 01-ON, U250 05-ON 5 SPEED FWD & AWD (Electronic Control)

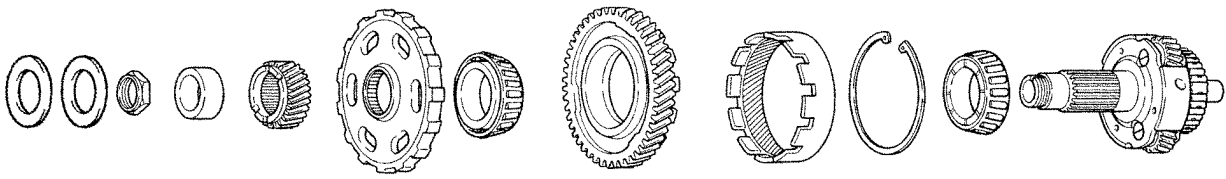


AUTOMATIC CHOICE



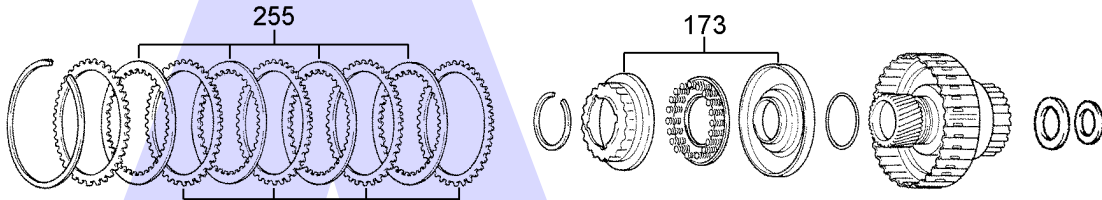
THE AUTOMATIC TRANSMISSION PARTS WAREHOUSE

H



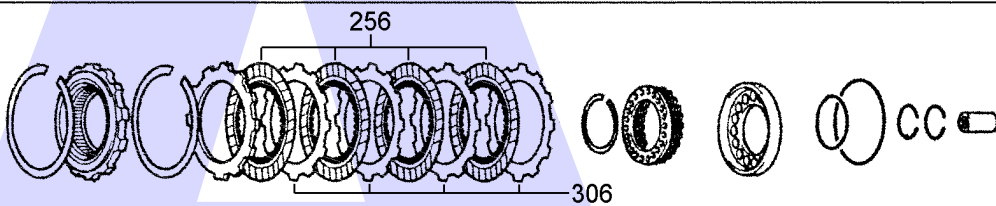
Underdrive Planetary Assembly

J



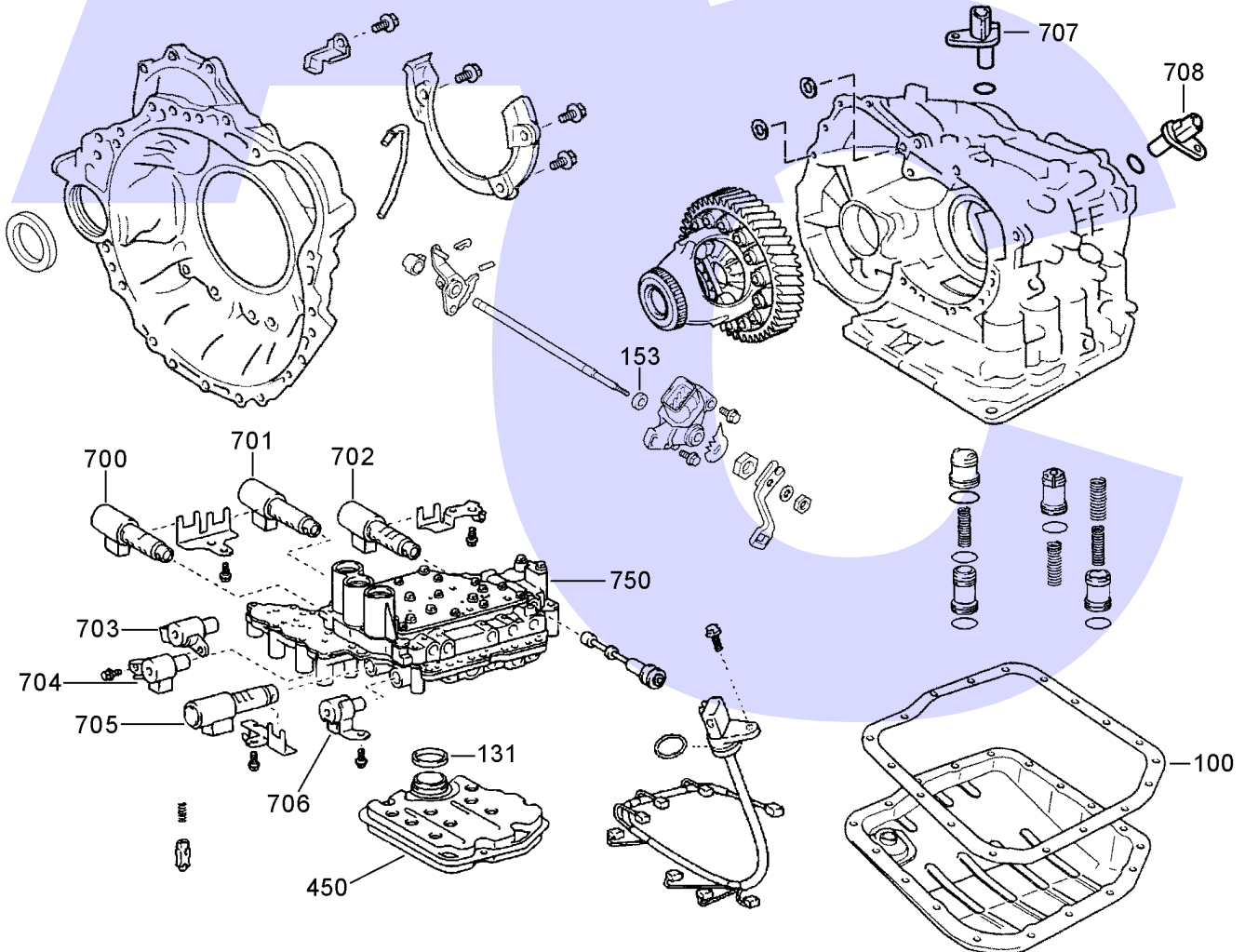
Underdrive Clutch (C3) Assembly

K



No.2 One-Way-Clutch (F2) & Underdrive Brake (B3) Assembly

L



Maincase, Differential, Valve Body & Related Components

# TOYOTA U150, U151 01-ON, U250 05-ON 5 SPEED FWD & AWD (Electronic Control)

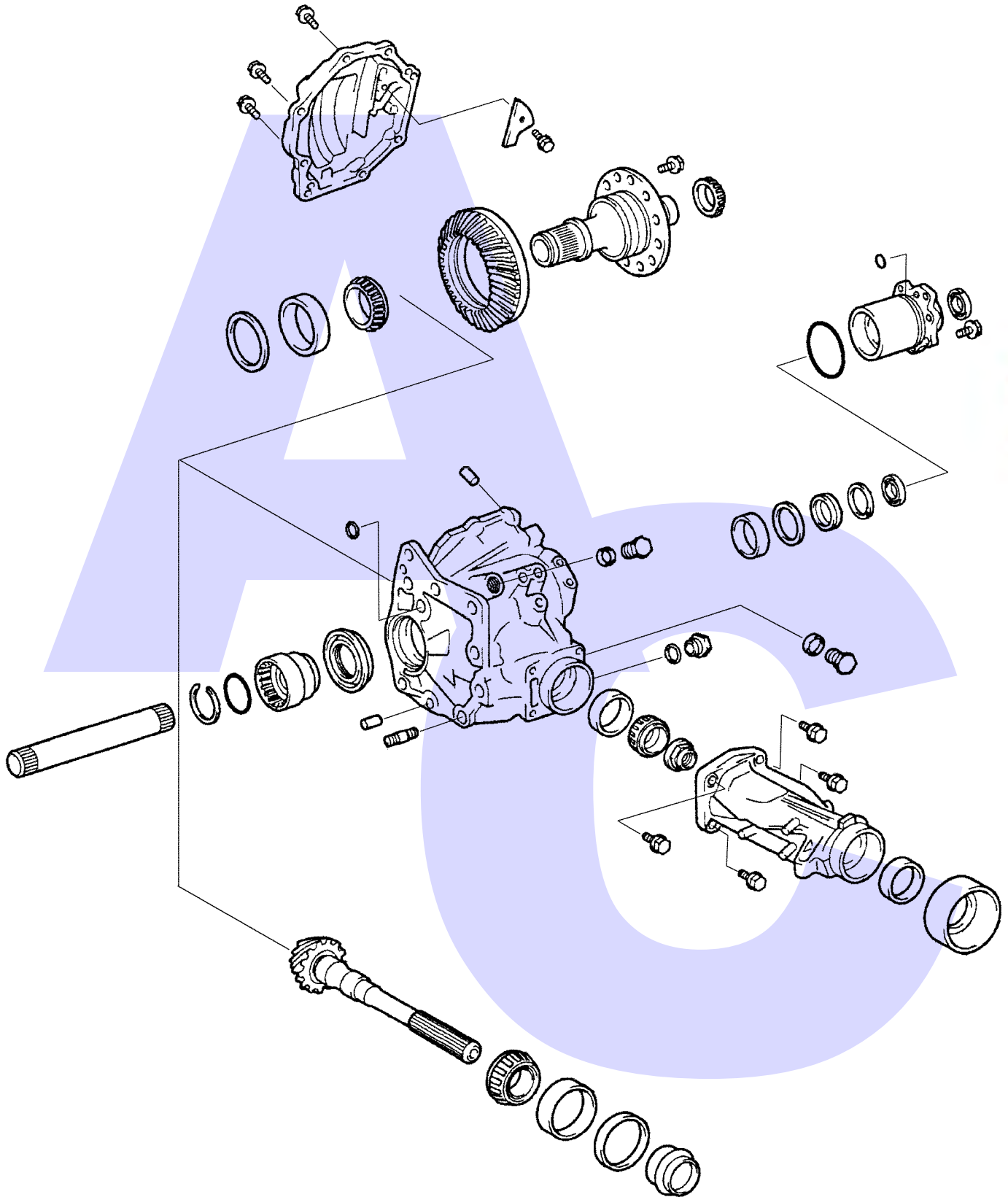


AUTOMATIC CHOICE



THE AUTOMATIC TRANSMISSION PARTS WAREHOUSE

M



Transfer Case Assembly

# TOYOTA U150, U151 01-ON, U250 05-ON 5 SPEED FWD & AWD (Electronic Control)



AUTOMATIC CHOICE



THE AUTOMATIC TRANSMISSION PARTS WAREHOUSE

ILL NO.	DESCRIPTION	YEARS	QTY	PART NO
<b>KITS</b>				
Kit	Master Overhaul (U150) (With Pistons).....	01-ON	1	<b>U150.MOHK01</b>
Kit	Overhaul Kit (U150E/F) (Transtec).....	01-ON	1	<b>U150.OHK01</b>
Kit	Overhaul Kit (U150E/F) (Precision) With Pistons.....	01-ON	1	<b>U150.OHK51</b>
Kit	Overhaul Kit (U150E/F) (Precision) Without Pistons.....	01-ON	1	<b>U140.OHK52</b>
Kit	Overhaul Kit (U250E) (Transtec, Without Pistons).....	05-ON	1	<b>U250.OHK01</b>
Kit	Overhaul Kit (U250E) (Precision, Without Pistons).....	05-ON	1	<b>U250.OHK51</b>
Kit	Overhaul Kit (U250E) (Transtec, With Pistons).....	05-ON	1	<b>U250.OHK02</b>
Kit	Overhaul Kit (U250E) (Precision, With Pistons).....	05-ON	1	<b>U250.OHK52</b>
Kit	Transfer Case Kit (U150F).....	01-ON	1	<b>U140.OHK02</b>
<b>GASKETS</b>				
100L	Oil Pan (Cork).....	01-ON	1	<b>U140.GAS01</b>
100L	Oil Pan (Fibre).....	01-ON	1	<b>U140.GAS02</b>
<b>RUBBER COMPONENTS</b>				
120A	'O' Ring, Pump to Converter Housing.....	01-ON	1	<b>U140.OR01</b>
131L	'O' Ring, Filter to V. Body.....	01-ON	1	<b>U140.OR02</b>
<b>METAL CLAD SEALS</b>				
150A	Torque Converter/Pump.....	01-ON	1	<b>BW55.MCS01</b>
153L	Manual Shaft Seal.....	01-ON	1	<b>A130.MCS03</b>
<b>MOULDED PISTONS</b>				
Kit	Moulded Piston Kit (Precision) (U151E/F).....	01-ON	1	<b>U150.PISKIT01</b>
170G	Balance Piston, O.D. Direct.....	01-ON	1	<b>U150.SPR01</b>
171G	Piston, O.D. Direct.....	01-ON	1	<b>U150.PIS01</b>
172G	O.D. Direct Drum/Piston.....	01-ON	1	<b>U150.PIS02</b>
173J	Underdrive 'C3' Piston Set.....	01-ON	1	<b>U140.PIS02</b>
<b>SEALING RINGS</b>				
Kit	Sealing Ring (Transtec®).....	01-ON	1	<b>U140.SRK01</b>
<b>FRICTION PLATES</b>				
Kit	Friction Plate.....	01-ON	1	<b>U150.FRK01</b>
250B	Forward (C1) Clutch (137mm OD x 1.80mm x 40T) ..	01-ON	6	<b>U140.FRP01</b>
251C	1st & Reverse (B2) Brake (162mm OD x 1.80mm x 40T) ..	01-ON	5-7	<b>U140.FRP02</b>
252D	2nd (B1) Brake (170mm OD x 1.80mm x 40T) ..	01-ON	3-4	<b>U140.FRP03</b>
253G	Direct (C2) Clutch (157mm OD x 1.52mm x 40T) ..	01-ON	3	<b>U150.FRP02</b>
254G	Overdrive Direct (U150/151) (151mm OD x 1.70mm x 40T) ..	01-ON	4	<b>U150.FRP01</b>
255J	Underdrive (C3) Clutch (125mm OD x 1.80mm x 40T) ..	01-ON	4	<b>U140.FRP05</b>
256K	Underdrive (B3) Brake (117.62mm OD x 1.80mm x 28T) ..	01-ON	4	<b>U140.FRP06</b>

ILL NO.	DESCRIPTION	YEARS	QTY	PART NO
<b>STEEL PLATES</b>				
Kit	Steel Plate.....	01-ON	1	<b>U150.STK01</b>
300B	Forward (C1) Clutch (114mm ID x 1.80mm x 40T) ....	01-ON	6	<b>U140.STP01</b>
301C	1st & Reverse (B2) Brake (143mm ID x 2.00mm x 12T) ....	01-ON	7	<b>U140.STP02</b>
302D	2nd (B1) Brake (143mm ID x 1.80mm x 12T) ....	01-ON	4	<b>U140.STP03</b>
03G	Direct (C2) Clutch (141.7mm ID x 1.80mm x 40T) ..	01-ON	2	<b>U150.STP02</b>
304G	Overdrive Direct (127mm ID x 1.80mm x 40T) ....	01-IN	4	<b>U150.STP01</b>
305J	Underdrive (C3) Clutch (99mm ID x 2.00mm x 40T) .....	01-ON	4	<b>U140.STP05</b>
306K	Underdrive (B3) Brake (92mm ID x 1.80mm x 11T) .....	01-ON	4	<b>U140.STP06</b>
<b>PRESSURE PLATES</b>				
403G	Direct Clutch (3.00mm Thick).....	01-ON	AR	<b>U140.PP01</b>
	(3.10mm Thick).....	01-ON	AR	<b>U140.PP02</b>
	(3.20mm Thick).....	01-ON	AR	<b>U140.PP03</b>
	(3.30mm Thick).....	01-ON	AR	<b>U140.PP04</b>
	(3.40mm Thick).....	01-ON	AR	<b>U140.PP05</b>
	(3.50mm Thick).....	01-ON	AR	<b>U140.PP06</b>
	(3.60mm Thick).....	01-ON	AR	<b>U140.PP07</b>
<b>SPRINGS &amp; CIRCLIPS</b>				
<b>FILTERS</b>				
450L	Pan Filter.....	01-ON	1	<b>U150.FIL01</b>
<b>BUSHINGS</b>				
Kit	Bushing Kit (U150/151).....	01-ON	1	<b>U150.BK01</b>
550A	Pump Body .....	01-ON	1	<b>62TE.BUS01</b>
<b>THRUST WASHERS &amp; BEARINGS</b>				
<b>ELECTRICAL COMPONENTS</b>				
700L	Solenoid (SL3) (U150) (Clutch Control No. 3) .....	01-ON	1	<b>U150.SOL03</b>
700L	Solenoid (SL3) (U250) (Clutch Control No. 3) .....	05-ON	1	<b>U250.SOL03</b>
701L	Solenoid (SLT) (U150) (Line Pressure Control).....	01-ON	1	<b>U150.SOL01</b>
701L	Solenoid (SLT) (U250) (Line Pressure Control).....	05-ON	1	<b>U250.SOL01</b>
702L	Solenoid (SL1) (U150) (Clutch Control No. 1) .....	01-ON	1	<b>U150.SOL02</b>
702L	Solenoid (SL1) (U250) (Clutch Control No. 1) .....	05-ON	1	<b>U250.SOL02</b>
703L	Solenoid (SR) U150/250 (Transmission 3 Way No.2).....	01-ON	1	<b>U150.SOL05</b>

# TOYOTA U150, U151 01-ON, U250 05-ON 5 SPEED FWD & AWD (Electronic Control)



AUTOMATIC CHOICE



THE AUTOMATIC TRANSMISSION PARTS WAREHOUSE

ILL NO.	DESCRIPTION	YEARS	QTY	PART NO
<b>ELECTRICAL COMPONENTS Cont...</b>				
704L	Solenoid (S4) (U150/250) (Transmission 3 Way No.1).....	01-ON	1	<b>U150.SOL04</b>
705L	Solenoid (SL2) (U150) (Clutch Control No. 2).....	01-ON	1	<b>U150.SOL03</b>
705L	Solenoid (SL2) (U250) (Clutch Control No. 2).....	05-ON	1	<b>U250.SOL03</b>
706L	Solenoid (DSL) (U150/250) (Shift/TCC).....	01-ON	1	<b>U150.SOL06</b>
707L	Speed Sensor, Input (U250) .....	05-ON	1	<b>U250.ELE01</b>
708L	Speed Sensor, Output (U250)...	05-ON	1	<b>U250.ELE01</b>
<b>VALVE BODY PARTS</b>				
750L	Valve Body Assembly (Rebuilt) .....	01-03	1	<b>U150.VB02</b>
750L	Valve Body Assembly (Rebuilt) .....	04-12	1	<b>U150.VB01</b>
Kit	Lock Up Control Plunger Valve & Sleeve Kit (Sonnax® <a href="#">Click here for Info</a> ) ...	01-ON	1	<b>U240.VA02</b>
Kit	Oversize Secondary Regulator Valve Kit (Requires Tool Kit U150.VA04) (Sonnax® <a href="#">Click here for Info</a> ) ...	01-ON	1	<b>U150.VA03</b>
Kit	Tool Kit for U150.VA03).....	01-ON	1	<b>U150.VA04</b>
Kit	Solenoid Modulator Valve Kit (Requires Tool Kit U150.VA10) (Sonnax® <a href="#">Click here for Info</a> ) ...	01-ON	1	<b>U150.VA05</b>
Kit	Tool Kit for U150.VA05).....	01-ON	1	<b>U150.VA10</b>
Kit	'B2' Apply Control Plunger Kit (Sonnax® <a href="#">Click here for Info</a> ) ...	01-ON	1	<b>U150.VA06</b>
Kit	'B1' Apply Control Plunger Kit (Sonnax® <a href="#">Click here for Info</a> ) ...	01-ON	1	<b>U150.VA07</b>
Kit	Boost Valve Assembly (Sonnax® <a href="#">Click here for Info</a> ) ...	01-ON	1	<b>U150.VA08</b>
Kit	Oversize Pressure Regulator & Boost Valve Kit (Requires Tool Kit U150.VA02 & VB Fixture AG4.VA05) (Sonnax® <a href="#">Click here for Info</a> ) ...	01-ON	1	<b>U150.VA09</b>
Kit	Tool Kit for U150.VA09).....	01-ON	1	<b>U150.VA02</b>
Kit	Oversize B3 Orifice Control Valve Requires Tool 09G.VA10 & Valve Body Fixture AG4.VA05 (Sonnax® <a href="#">Click here for Info</a> ) ...	01-ON	1	<b>U150.VA11</b>
Kit	Tool Kit for U150.VA11).....	01-ON	1	<b>09G.VA10</b>
Kit	Oversized Clutch Apply Control Valve Requires Tool U150.VA14 & Valve Body Fixture AG4.VA05 (Sonnax® <a href="#">Click here for Info</a> ) ...	01-ON	1	<b>U150.VA13</b>
Kit	Tool Kit for U150.VA13).....	01-ON	1	<b>U150.VA14</b>
Kit	Universal Valve Body Fixture (Sonnax® <a href="#">Click here for Info</a> ) ...	01-ON	1	<b>AG4.VA05</b>
Kit	Valve Body Repair (Sonnax ZIP KIT) (U151E/F, U250E) (Sonnax® <a href="#">Click here for Info</a> ) ...	99-ON	1	<b>U150.ZIP01</b>
Kit	Accumulator Piston Kit (Sonnax® <a href="#">Click here for Info</a> ) ...	03-ON	1	<b>U140.VA03</b>
<a href="#">Vacuum Test Point Locations (Sonnax®)</a>				
<b>HARD PARTS</b>				
828G	End Cover (Lexus RX300).....	01-ON	1	<b>U150.COV01</b>

ILL NO.	DESCRIPTION	YEARS	QTY	PART NO
<b>SPECIAL ITEMS</b>				
<b>TOOLS &amp; MANUALS</b>				