

# Aisin Warner Chain Drive

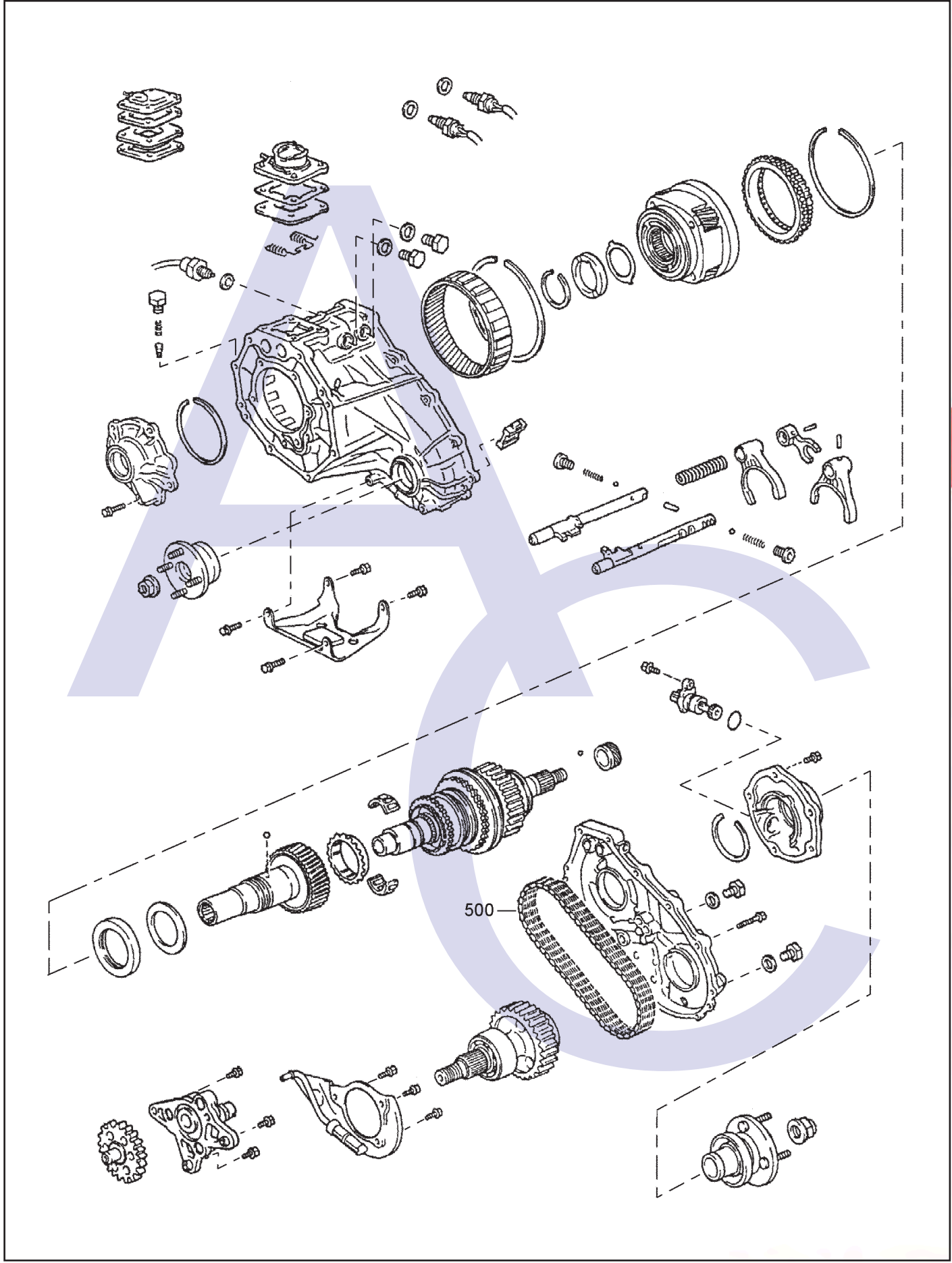
2.7Ltr M/T, 3.4Ltr V6 M/T & A/T Landcruiser, 4-Runner, Tacoma 1993>  
(Without one touch 2-4 Selector System)



AUTOMATIC CHOICE



THE AUTOMATIC TRANSMISSION PARTS WAREHOUSE



# Aisin Warner Chain Drive

2.7Ltr M/T, 3.4Ltr V6 M/T & A/T Landcruiser, 4-Runner, Tacoma 1993>

**(Without one touch 2-4 Selector System)**



**A  
U  
T  
O  
M  
A  
T  
I  
C  
C  
H  
O  
I  
C  
E**



**T  
H  
E  
A  
U  
T  
O  
M  
A  
T  
I  
C  
T  
R  
A  
N  
S  
M  
I  
S  
S  
I  
O  
N  
P  
A  
R  
T  
S  
W  
A  
R  
E  
H  
O  
U  
S  
E**

ILL NO.	DESCRIPTION	YEARS	QTY	PART NO
<b>MASTER OVERHAUL KITS</b>				
<b>OVERHAUL GASKET AND SEAL KITS</b>				
<b>GASKET &amp; RUBBER COMPONENTS</b>				
<b>METAL CLAD SEALS</b>				
<b>BUSHINGS, BEARINGS &amp; WASHERS</b>				
<b>DRIVE CHAINS</b>				
500	Drive Chain 74 Pitch (11.112mm Pitch x 31.75 Wide) 4/93-ON		1	YAW.CH01
<b>ELECTRICAL COMPONENTS</b>				
<b>HARD PARTS</b>				
<b>MOUNTINGS</b>				
<b>TRANSFER CASE ASSY'S</b>				
<b>TOOLS &amp; MANUALS</b>				

ILL NO.	DESCRIPTION	YEARS	QTY	PART NO