

# A240 Series

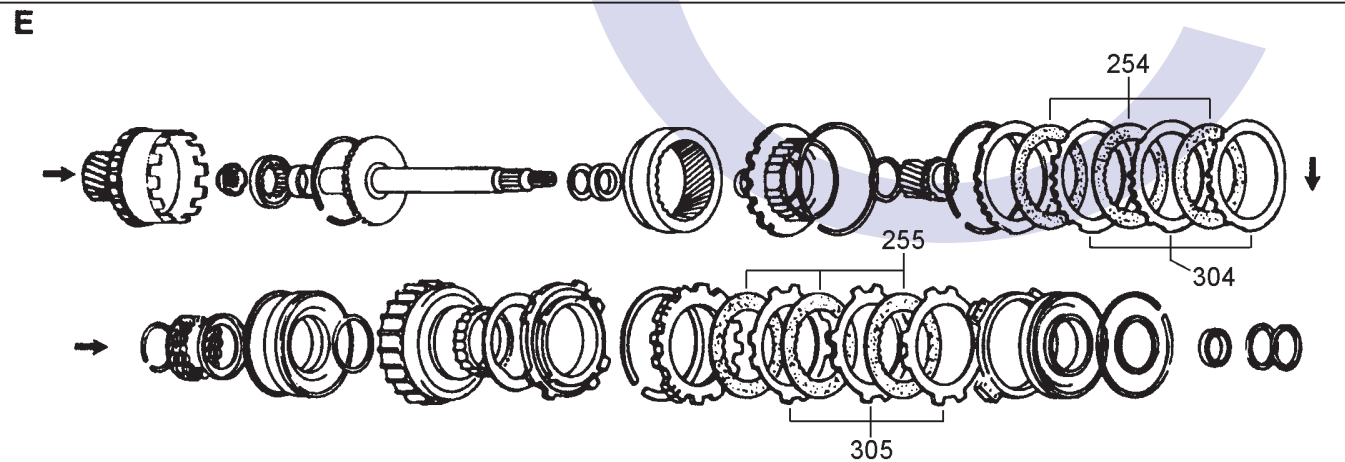
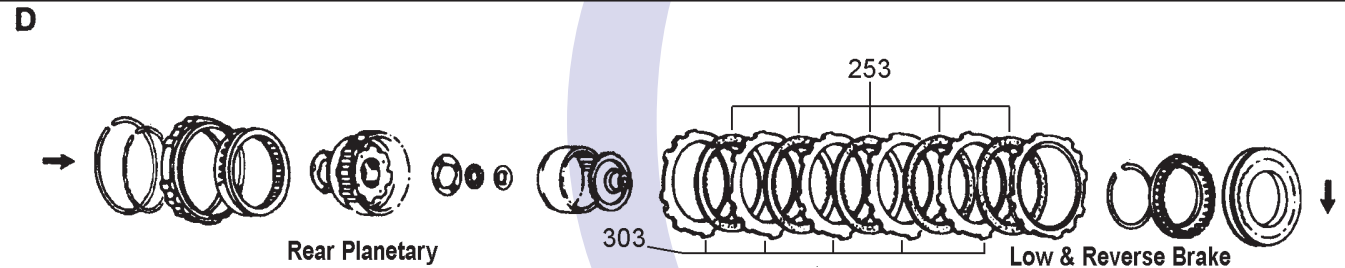
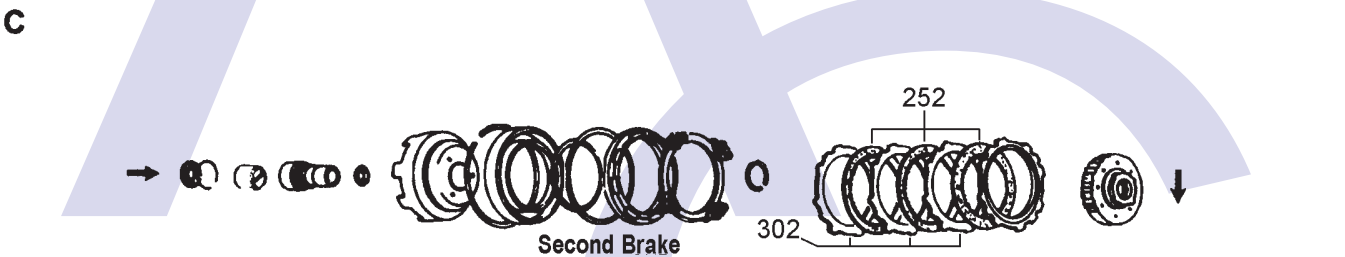
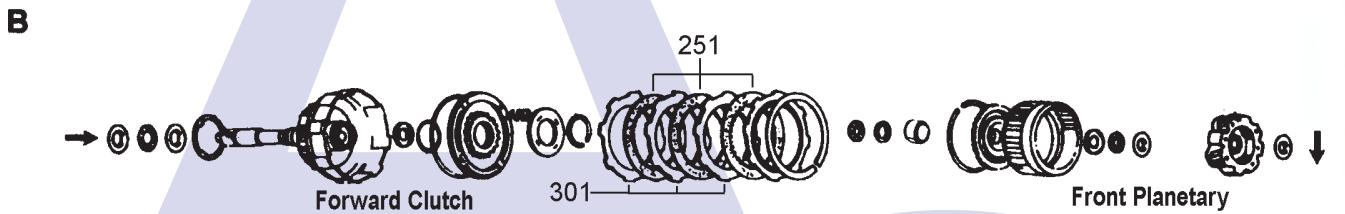
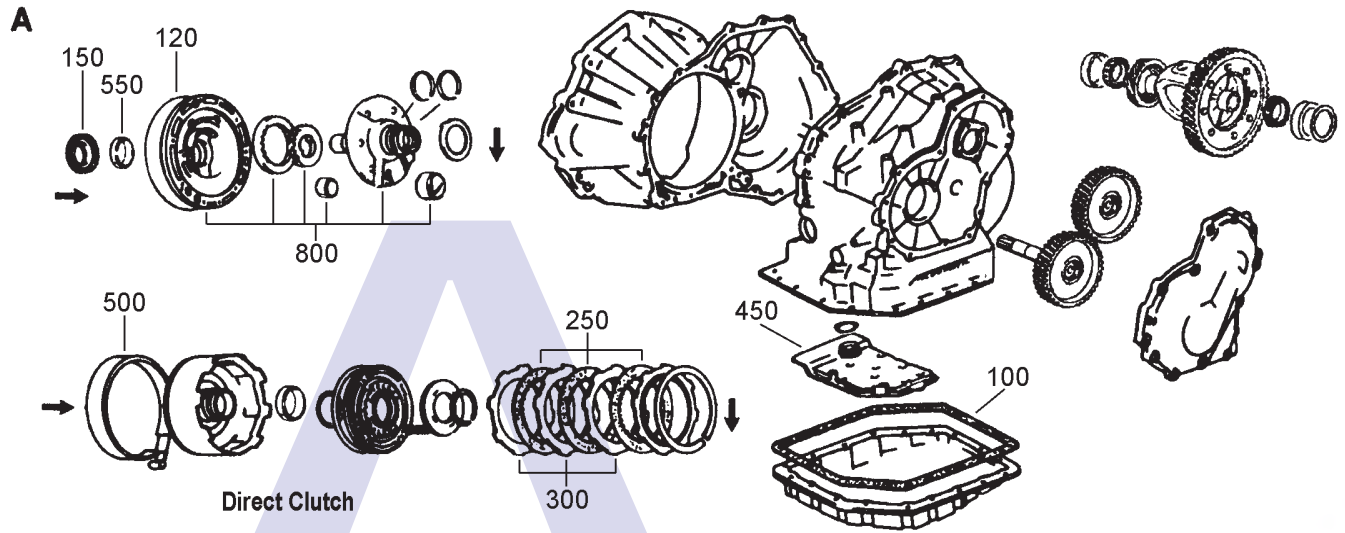
## 4 SPEED FWD (Hydraulic & Electronic Control)



AUTOMATIC CHOICE



THE AUTOMATIC TRANSMISSION PARTS WAREHOUSE



# A240 Series

## 4 SPEED FWD (Hydraulic & Electronic Control)



AUTOMATIC CHOICE



THE AUTOMATIC TRANSMISSION PARTS WAREHOUSE

ILL NO.	DESCRIPTION	YEARS	QTY	PART NO
<b>KITS</b>				
Kit	Overhaul Kit A240E/L, A241E/L, A243L, 244E (Transtec).....	85-ON	1	<b>A240.OHK01</b>
Kit	Overhaul Kit A240E/L, A241E/L, A243L, 244E (Precision).....	85-ON	1	<b>A240.OHK51</b>
Kit	Overhaul Kit (Transtec) A245E, A246E, A247E.....	93-ON	1	<b>A245.OHK01</b>
Kit	Overhaul Kit (Precision) A245E, A246E, A247E.....	93-ON	1	<b>A245.OHK51</b>
Kit	Transfer Case Kit A241H.....	88-ON	1	<b>A540.OHK03</b>
<b>GASKETS</b>				
100A	Pan Gasket A240, 241, etc.....	84-ON	1	<b>A240.GAS01</b>
100A	Pan Gasket A245, 246, 247.....	93-02	1	<b>A245.GAS01</b>
100A	Pan Gasket A245E, 246E (Cork).....	03-ON	1	<b>A245.GAS02</b>
<b>RUBBER COMPONENTS</b>				
120A	Pump O Ring.....	84-ON	1	<b>A130.OR01</b>
<b>METAL CLAD SEALS</b>				
150A	Converter Seal.....	83-ON	1	<b>BW55.MCS01</b>
NI	Diff Seal Left hand (2.49mm OD) (241L, 241E, 243L & 247E).....	85-ON	1	<b>A240.MCS04</b>
NI	Diff Seal Right Hand (A241L/E, A243L, A247E).....	85-ON	1	<b>A140.MCS02</b>
<b>SEALING RINGS</b>				
<b>FRICTION PLATES</b>				
Kit	Friction Plate (Alto) A240L(2WD), A241H(AWD), A241E(2WD), A243L(1.6L Eng).....	88-97	1	<b>A240.FRK51</b>
Kit	Friction Plate (Alto) A241E(2.2L Eng), A240L, A244E.....	87-ON	1	<b>A240.FRK52</b>
Kit	Friction Plate (Alto) A241E MR2.....	90-93	1	<b>A240.FRK53</b>
Kit	Friction Plate (Alto) A241E MR2.....	94-95	1	<b>A240.FRK56</b>
Kit	Friction Plate (Alto) A241E Rav 4 (2WD).....	96-97	1	<b>A240.FRK57</b>
Kit	Friction Plate (Alto) A247E Rav 4 (2WD).....	98-00	1	<b>A240.FRK58</b>
Kit	Friction Plate A242L (Alto).....	95-ON	1	<b>A240.FRK54</b>
Kit	Friction Plate A245E (Alto).....	96-ON	1	<b>A240.FRK55</b>
250A	Direct Clutch (125mm OD x 1.70mm x 40T) ..	85-92	3	<b>A130.FRP01</b>
250A	Direct Clutch (125mm OD x 1.90mm x 40T) ..	93-ON	3	<b>A140.FRP01</b>
251B	Forward Clutch Plain (125mm OD x 1.70mm x 40T) ..	85-ON	4	<b>A130.FRP01</b>
252C	Intermediate Brake (140mm OD x 1.70mm x 33T) ..	87-ON	3	<b>A130.FRP02</b>
252C	Intermediate Brake (140mm OD x 1.90mm x 33T) ..	87-ON	3	<b>A140.FRP03</b>

ILL NO.	DESCRIPTION	YEARS	QTY	PART NO
<b>FRICTION PLATES Cont...</b>				
253D	Low & Reverse Brake (140mm OD x 1.75mm x 33T) ..	93-ON	6	<b>A240.FRP03</b>
253D	Low & Reverse Brake (140mm OD x 1.70mm x 33T) ..	85-ON	6	<b>A130.FRP02</b>
254E	Underdrive Clutch (110mm OD x 1.90mm x 34T)...	85-ON	4	<b>A240.FRP01</b>
255E	Underdrive Brake (110mm OD x 1.70mm x 26T)...	85-ON	4	<b>A240.FRP02</b>
255E	Underdrive Brake Large ID (110mm OD x 1.75mm x 26T)...	94-ON	4	<b>A240.FRP04</b>
NI	4WD Differential AWD (110mm OD x 1.90mm x 34T)...	88-ON	7	<b>A240.FRP01</b>
<b>STEEL PLATES</b>				
Kit	Steel Plate (Alto) A240L(2WD), A241H(AWD), A241E(2WD), A243L(1.6L Eng).....	88-97	1	<b>A240.STKK51</b>
Kit	Steel Plate (Alto) A241E(2.2L Eng), A240L, A244E.....	87-ON	1	<b>A240.STK52</b>
Kit	Steel Plate (Alto) A246E, A245E, A247E.....	93-ON	1	<b>A240.STK53</b>
Kit	Steel Plate (Alto) A241E MR2.....	90-95	1	<b>A240.STK54</b>
Kit	Steel Plate A242L (Alto).....	95-ON	1	<b>A240.STK55</b>
300A	Direct Clutch (104mm ID x 1.80mm x 8T) .....	85-ON	3	<b>A130.STP01</b>
301B	Forward Clutch (104mm ID x 1.80mm x 8T) .....	85-ON	4	<b>A130.STP01</b>
302C	Intermediate Brake (Wide Spline) (117mm ID x 1.80mm x 12T) .....	85-ON	3	<b>A130.STP03</b>
303D	Low & Reverse Brake (125mm ID x 1.80mm x 12T) .....	93-ON	7	<b>A240.STP05</b>
303D	Low & Reverse Brake (Narrow Spline) (115mm ID x 1.80mm x 12T) .....	85-92	5	<b>A130.STP04</b>
304E	Underdrive Clutch (140mm ID x 1.80mm x 20T) .....	85-ON	4	<b>A240.STP01</b>
305E	Underdrive Brake (80mm ID x 1.80mm x 8T) .....	85-92	3	<b>A240.STP03</b>
305E	Underdrive Brake (87mm ID x 1.80mm x 8T) .....	93-ON	3	<b>A240.STP04</b>
NI	4WD Differential AWD (140mm ID x 1.80mm x 20T) .....	88-92	8	<b>A240.STP01</b>
<b>FILTERS</b>				
450A	Filter A240.....	85-ON	1	<b>A240.FIL01</b>
450A	Filter A245, A246, A247 .....	93-ON	1	<b>A245.FIL01</b>
450A	Filter A245E .....	03-ON	1	<b>A245.FIL02</b>
<b>BANDS</b>				
500A	Intermediate Overrun.....	83-ON	1	<b>A130.BAN01</b>
<b>BUSHINGS</b>				
Kit	Bush Kit.....	85-ON	1	<b>A130.BK01</b>
550A	Pump Body .....	85-ON	1	<b>BW55.BUS01</b>

# A240 Series

## 4 SPEED FWD (Hydraulic & Electronic Control)



AUTOMATIC CHOICE



THE AUTOMATIC TRANSMISSION PARTS WAREHOUSE

ILL NO.	DESCRIPTION	YEARS	QTY	PART NO
<b>THRUST WASHERS &amp; BEARINGS</b>				
<b>ELECTRICAL COMPONENTS</b>				
NI	Shift Solenoid (Pair).....	85-ON	1	A340.SOL01
NI	Shift Solenoid Kit (A245E, A246E, A247E) (SS1 + SS2 ) .....	93-ON	1	A245.SOL01
NI	Shift Solenoid Kit (A245E, A246E, A247E) (SS1 + SS2 & Lock Up) .....	93-ON	1	A245.SOL02
NI	Lock Up Solenoid (A245E, A246E, A247E).....	93-ON	1	A245.SOL03
NI	EPC Solenoid (OEM) (A245E, A246E, A247E).....	02-03	1	A245.SOL04
NI	EPC Solenoid (OEM) (A245E, A246E, A247E).....	04-ON	1	A245.SOL05
<b>VALVE BODY PARTS</b>				
<b>HARD PARTS</b>				
800A	Pump Assy (2 Bushes in Stator)	85-ON	1	A240.PUM01
<b>SPECIAL ITEMS</b>				
<b>TOOLS &amp; MANUALS</b>				

ILL NO.	DESCRIPTION	YEARS	QTY	PART NO
---------	-------------	-------	-----	---------