

A606 (42LE), (42RLE)

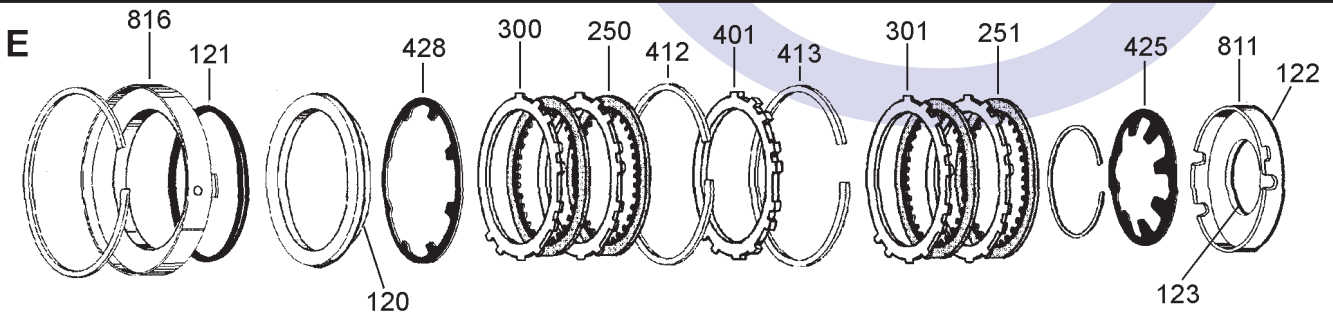
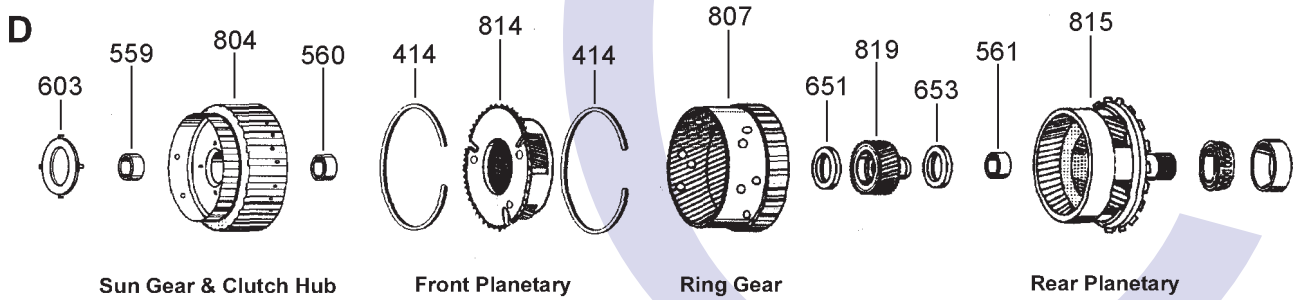
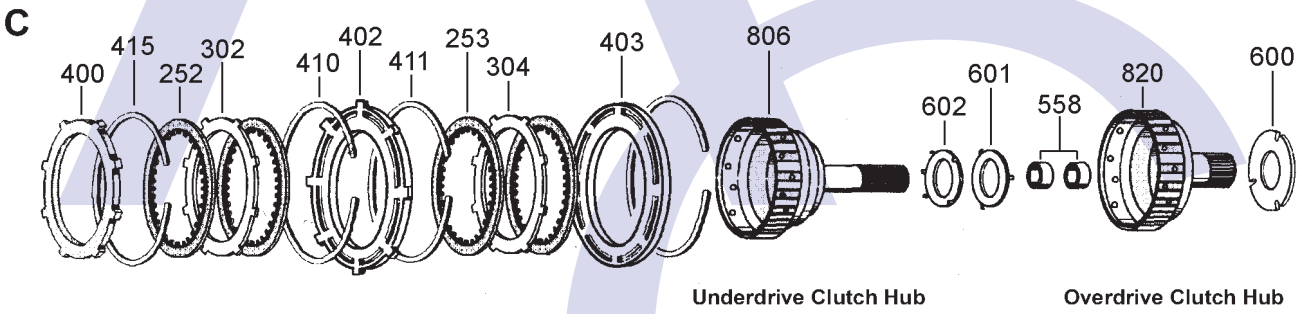
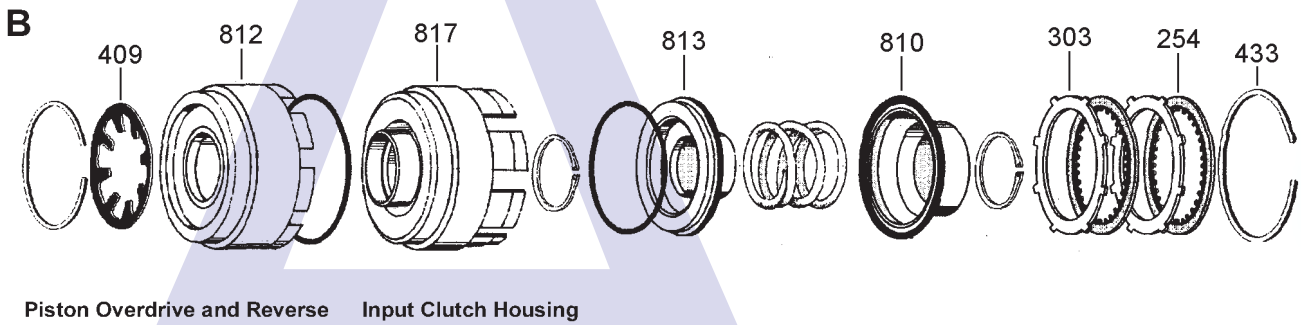
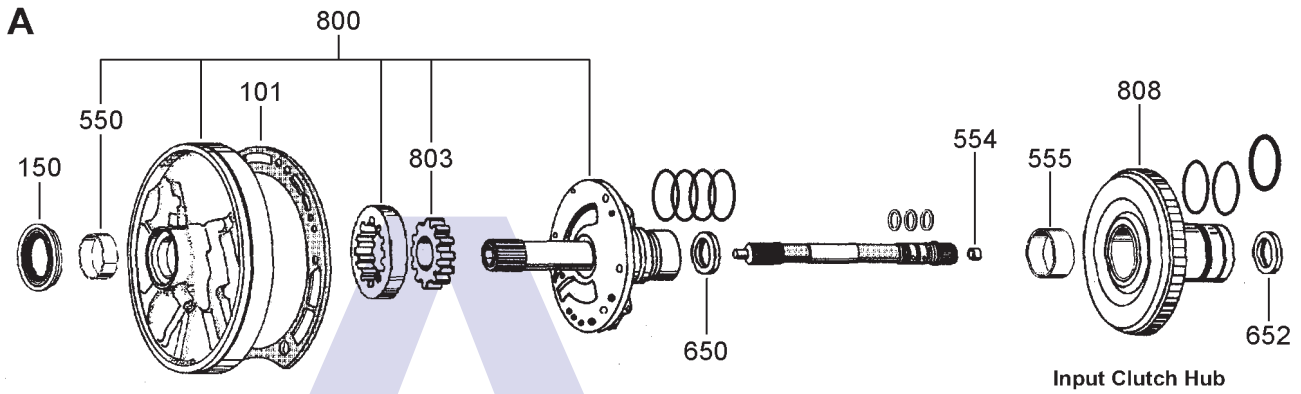
4 SPEED IN LINE FWD (Electronic Control)



AUTOMATIC CHOICE



THE AUTOMATIC TRANSMISSION PARTS WAREHOUSE



A606 (42LE), (42RLE)

4 SPEED IN LINE FWD (Electronic Control)

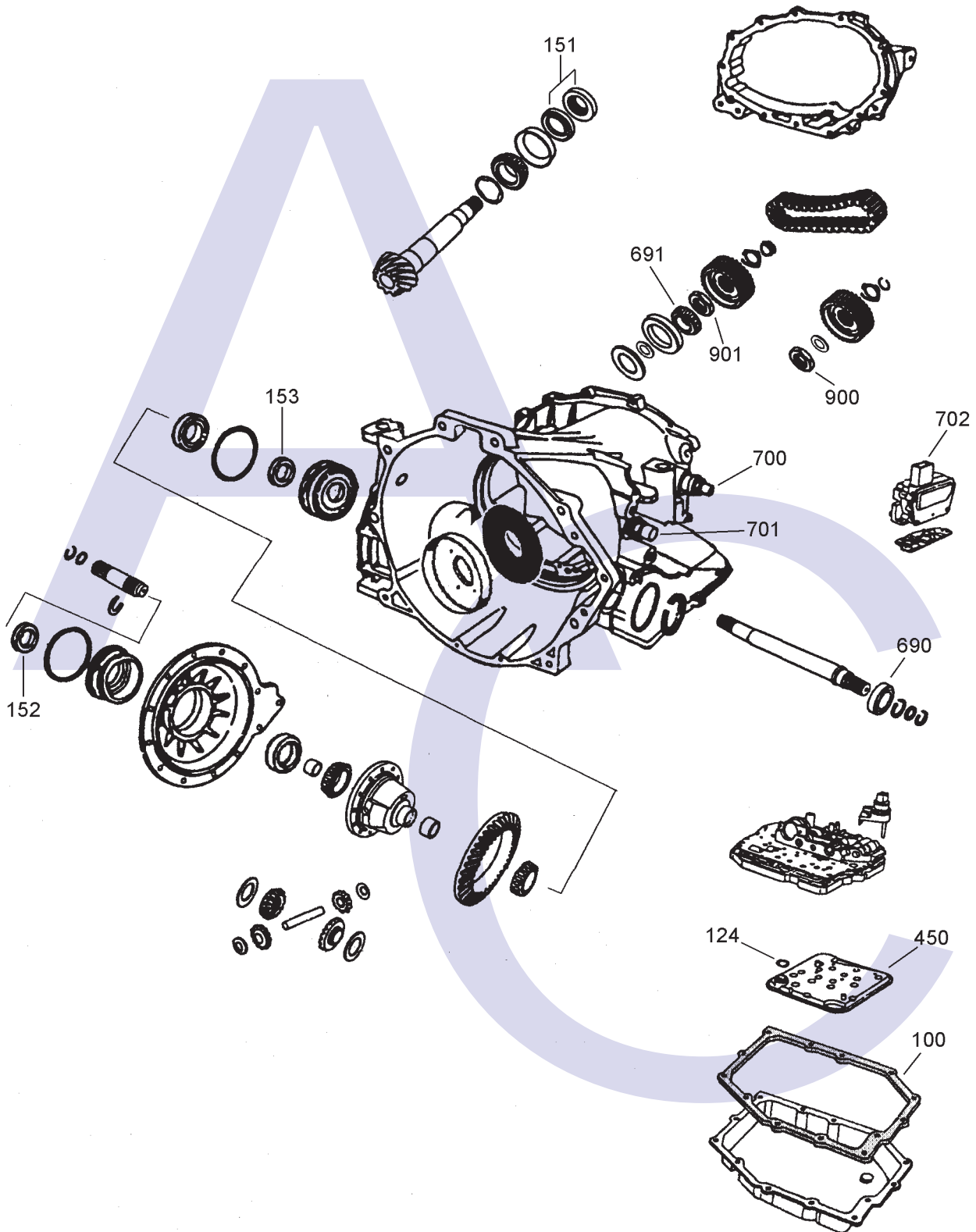


AUTOMATIC CHOICE



THE AUTOMATIC TRANSMISSION PARTS WAREHOUSE

F



A606 (42LE), (42RLE)

4 SPEED IN LINE FWD (Electronic Control)



AUTOMATIC CHOICE



THE AUTOMATIC TRANSMISSION PARTS WAREHOUSE

ILL NO.	DESCRIPTION	YEARS	QTY	PART NO
KITS				
Kit	Overhaul Kit (Transtec) (With Duraprene Pan Gasket)...	93-ON	1	A606.OHK01
Kit	Overhaul Kit (Precision).....	93-ON	1	A606.OHK51
Kit	Overhaul Kit (Transtec) (42RLE).....	03-ON	1	A606.OHK02
GASKETS				
100F	Pan Gasket (Fibre 42LE).....	93-ON	1	A606.GAS01
100F	Pan Gasket (Fibre 42RLE).....	03-ON	1	A606.GAS03
101A	Pump Gasket.....	93-ON	1	A606.GAS02
RUBBER COMPONENTS				
120E	'D' Ring 2nd / 4th Piston Outer (2nd Design)	93-ON	1	A604.OR01
121E	'D' Ring 2nd / 4th Piston Inner (2nd Design)	93-ON	1	A604.OR02
122E	'D' Ring Low/Rev Piston Outer (2nd Design)	93-ON	1	A604.OR03
123E	'D' Ring Low/Rev Piston Inner (2nd Design)	93-ON	1	A604.OR04
124F	Filter 'O' Ring	93-ON	1	A604.OR05
METAL CLAD SEALS				
150A	Front Pump Seal.....	93-ON	1	TF6.MCS01
151F	Transfer Shaft (Large) (Smooth)	93-ON	2	A606.MCS01
151F	Transfer Shaft (Small) (With 12 Indentations).....	93-ON	2	A606.MCS02
152F	Axle Shaft R/H Outer	93-ON	1	A606.MCS03
153F	Axle Shaft L/H Inner.....	93-ON	1	A606.MCS04
FRICITION PLATES				
Kit	Friction Plate (Alto)	98-ON	1	A606.FRK51
Kit	Friction Plate (Alto) (With Kevlar Frictions).....	98-ON	1	A606.FRK52
250E	2nd & 4th Friction (154mm OD x 2.10mm x 31T) ..	93-ON	4	A604.FRP02
250E	2nd & 4th Friction (Raybestos) (154mm OD x 2.10mm x 31T) ..	93-ON	4	A604.FRP12
251E	Low / Reverse Friction (154mm OD x 1.80mm x 32T) ..	93-ON	5	A604.FRP03
251E	Low / Reverse Friction (Raybestos) (154mm OD x 1.80mm x 32T) ..	93-ON	5	A604.FRP13
252C	Overdrive Friction (138mm OD x 1.80mm x 28T) ..	93-ON	4	A604.FRP01
252C	Overdrive Friction (Raybestos) (138mm OD x 1.80mm x 28T) ..	93-ON	4	A604.FRP11
253C	Reverse Input Friction (138mm OD x 1.80mm x 28T) ..	93-ON	2	A604.FRP01
253C	Reverse Input Friction (Raybestos) (138mm OD x 1.80mm x 28T) ..	93-ON	2	A604.FRP11
254B	Underdrive Friction (138mm OD x 1.80mm x 28T) ..	93-ON	4	A604.FRP01
254B	Underdrive Friction (Raybestos) (138mm OD x 1.80mm x 28T) ..	93-ON	4	A604.FRP11

ILL NO.	DESCRIPTION	YEARS	QTY	PART NO
STEEL PLATES				
Kit	Steel Plate (Alto).....	98-ON	1	A606.STK51
300E	2nd & 4th Steel (133mm ID x 2.40mm x 14T)	93-ON	4	A604.STP02
301E	Low / Reverse Steel (133mm ID x 1.70mm x 14T)	93-ON	5	A604.STP03
302C	Overdrive Steel (115mm ID x 1.70mm x 8T)	93-ON	3	A604.STP01
303B	Underdrive Steel (115mm ID x 1.70mm x 8T)	93-ON	4	A604.STP01
304C	Reverse Input Steel (115mm ID x 1.70mm x 8T)	93-ON	1	A604.STP01
PRESSURE PLATES				
400C	Pressure Plate-Underdrive (7.00mm x 3 Plate).....	93-ON	1	A604.PP01
400C	Pressure Plate-Underdrive (6.48mm x 4 Plate).....	93-ON	1	A604.PP04
400C	Pressure Plate-Underdrive (7.00mm x 4 Plate).....	93-ON	1	A604.PP05
401E	Pressure Plate-Low & Reverse (5.84mm).....	93-ON	1	A604.PP06
402C	Pressure Plate-Overdrive/Reverse (8 Slots & 4 Lugs)	93-96	1	A604.PP07
403C	Pressure Plate-Reverse Input (No External Lugs).....	93-96	1	A604.PP08
FILTERS				
450F	Pan Filter (42LE).....	93-96	1	A606.FIL01
450F	Pan Filter (42RLE)	02-ON	1	A606.FIL02
BUSHINGS				
Kit	Bush Kit.....	93-95	1	A604.BK01
Kit	Bush Kit.....	96-ON	1	A604.BK02
550A	Pump Bush	93-ON	1	TF6.BUS01
550A	Pump Bush (5 Pack Sonnax)....	93-ON	1	A604.BUS01
554A	Input Shaft (Installs in Rear)	93-00	1	A604.BUS09
554A	Input Shaft (Installs in Rear)	00-ON	1	A604.BUS10
555A	Input Clutch Hub (Sonnax@ Click here for Info) ...	93-ON	1	A604.BUS08
558C	Overdrive Clutch Hub (Housing ID 24.358mm ID)	89-94	2	A604.BUS02
558C	Overdrive Clutch Hub (5 Pack) (Sonnax Replaces Both OEM) (Housing ID 24.358mm)	89-94	1	A604.BUS07
558C	Overdrive Clutch Hub (5 Pack) (Sonnax Replaces Both OEM) (Housing ID 23.799mm)	95-ON	1	A604.BUS03
558C	Overdrive Clutch Hub (5 Pack) (Sonnax Replaces Both OEM) (Housing ID 23.901mm).....	95-ON	1	A604.BUS11
559D	Sun Gear & 2/4 Clutch Hub Assy (Front 28.96mm OD).....	93-95	1	A604.BUS04
560D	Sun Gear & 2/4 Clutch Hub Assy (Rear 28.96mm OD)	93-95	1	A604.BUS04
561D	Rear Planetary (31.115mm OD)	93-ON	1	A604.BUS05
SPRINGS & CIRCLIPS				
Kit	Spap Ring Kit (14 Most Popular).....	93-ON	1	A604.CIR10
409B	Diaphragm Spring O. Drive/Rev (125mm O.D.)	93-ON	1	A604.DIA03
410C	Snap Ring O. Drive/Rev P. Plate (Waved)	93-ON	1	A604.CIR02

A606 (42LE), (42RLE)

4 SPEED IN LINE FWD (Electronic Control)



AUTOMATIC CHOICE



THE AUTOMATIC TRANSMISSION PARTS WAREHOUSE

ILL NO.	DESCRIPTION	YEARS	QTY	PART NO
SPRINGS & CIRCLIPS Cont...				
411C	Snap Ring-Rev Input P. Plate (Rear Flat).....	93-ON	1	A604.CIR03
412E	Snap Ring-Low Rev P. Plate (Front Tapered 1.80mm).....	93-ON	1	A604.CIR04
413E	Snap Ring-Low Rev P. Plate (Flat).....	93-ON	1	A604.CIR05
414D	Snap Ring-Front Planet to Ring gear (Front & Rear).....	93-ON	2	A604.CIR06
415C	Snap Ring-OD Clutch P. Plate (Rear 1.93mm Tapered 4 Pack)	93-ON	1	A604.CIR07
415C	Snap Ring-OD Clutch P. Plate (Rear 1.52mm Tapered).....	93-ON	1	A604.CIR08
425E	Diaphragm Spring Low / Rev (137mm OD).....	93-ON	1	A604.DIA01
425E	Diaphragm Spring Low / Rev (Bonded Design).....	03-ON	1	A604.DIA04
426E	Diaphragm Spring 2/4 Clutch (165mm OD).....	93-ON	1	A604.DIA02
433B	Snap Ring, Underdrive (2.31mm Thick).....	97-ON	1	A604.CIR11
NI	Circlip, Rear Planetary to Output Shaft (42RLE).....	03-10	1	A606.CLI01
NI	Accumulator Spring Fits All Acc (2.845mm Wire Diameter).....	93-ON	4	A604.SPR01
BEARING & RACES				
650A	Bearing Stator Rear to Input Clutch Hub	93-ON	1	A604.BE01
651D	Bearing Front Planet to RearSun Gear (53.35mm x 34.50mm).....	93-ON	1	A604.BE02
652A	Bearing Input Clutch Hub to Underdrive Clutch Hub.....	93-ON	1	A604.BE03
653D	Bearing Rear Sun Gear to Rear Planet.....	93-ON	1	A604.BE01
690F	Ball Bearing Axle Shaft to Case	93-ON	1	A606.BE01
691F	Bearing - Rear Transfer Shaft...	93-ON	1	A606.BE03
THRUST WASHERS & SELECTIVES				
600C	Washer Overdrive Clutch Hub (3 Slot Selective 0.91mm).....	93-ON	1	A604.THW01
600C	Washer Overdrive Clutch Hub (3 Slot Selective 1.15mm).....	93-ON	1	A604.THW02
600C	Washer Overdrive Clutch Hub (3 Slot Selective 1.35mm).....	93-ON	1	A604.THW03
600C	Washer Overdrive Clutch Hub (3 Slot Selective 1.80mm).....	93-ON	1	A604.THW04
600C	Washer Overdrive Clutch Hub (3 Slot Selective 2.25mm).....	93-ON	1	A604.THW05
600C	Washer Overdrive Clutch Hub (3 Slot Selective 2.47mm).....	93-ON	1	A604.THW06
600C	Washer Overdrive Clutch Hub (3 Slot Selective 2.90mm).....	93-ON	1	A604.THW07
600C	Washer Overdrive Clutch Hub (3 Slot Selective 3.20mm).....	93-ON	1	A604.THW08
601C	Washer/Race (3 Tabs) (U. Drive Hub to O. Drive Hub)	93-ON	1	A604.THW11
602C	Washer-Underdrive Clutch Hub (Babbitt 5 Tabs).....	93-ON	1	A604.THW12
603D	Washer Sun Gear/Clutch Hub (4 Tabs).....	93-ON	1	A604.THW13

ILL NO.	DESCRIPTION	YEARS	QTY	PART NO
ELECTRICAL COMPONENTS				
Kit	Rebuild Kit Solenoid Assy.....	93-99	1	A604.SOL02
Kit	Rebuild Kit Solenoid Assy.....	00-02	1	A604.SOL04
700F	Output Speed Sensor.....	93-02	1	A604.ELE01
700F	Output Speed Sensor (42RLE)	03-ON	1	A606.ELE03
701F	Turbine Input Speed Sensor.....	93-02	1	A604.ELE02
701F	Turbine Input Speed Sensor (42RLE).....	03-ON	1	45RFE.ELE01
702F	Solenoid Assy (42LE).....	93-02	1	A606.SOL01
702F	Solenoid Assy (42LE OE).....	93-02	1	A606.SOL17
702F	Solenoid Assy (42RLE).....	03-ON	1	A606.SOL14
703F	Sensor, Neutral Safety, (Manual Lever Position) (Replaces 7 & 9 Prong).....	93-97	1	A606.ELE01
703F	Range Switch (Blade Terminals).....	98-ON	1	A606.ELE02
NI	Brass Contacts for Solenoids....	93-ON	1	A604.SOL07
VALVE BODY PARTS				
Kit	Oversize Pressure Regulator Valve (Requires Tool A604.VA15 & Valve Body Fixture AG4.VA05) (Sonnax@ Click here for Info)	89-ON	1	A604.VA14
Kit	Toolkit for A604.VA14.....	89-ON	1	A604.VA15
HARDWARE				
800A	Pump Assy (42RLE).....	03-ON	1	A606.PUM02
803A	Inner Pump Gear (25 Teeth).....	93-98	1	A606.PUM01
804D	Sun Gear & 2/4 Clutch Hub.....	93-ON	1	A604.DRU01
804D	Sun Gear & 2/4 Clutch Hub (Has Larger Bushing).....	95-ON	1	A604.DRU02
806C	Underdrive Clutch Hub (Solid Shaft).....	93-ON	1	A604.HUB01
808A	Input Clutch Hub 4 Ring Pump (2.54mm 'O' Ring Groove).....	93-ON	1	A604.HUB04
810B	Piston-Moulded Lip and Spring Retainer.....	93-ON	1	A604.PIS01
811E	Piston-Low & Reverse.....	93-ON	1	A604.PIS02
812B	Piston-Overdrive / Reverse (8-4 Lug Press Plate Update) ...	93-ON	1	A604.PIS03
812B	Piston-Overdrive / Reverse (4 Lugs for Press Plate).....	93-ON	1	A604.PIS04
813B	Piston-Input C. Drum/U. Drive ..	93-ON	1	A604.PIS05
814D	Front Planet Assy (OEM).....	93-ON	1	A604.PL01
814D	Front Planet Assy (Aftermarket).....	93-ON	1	A604.PL11
815D	Rear Planet W/Short Shaft (25.40mm).....	93-95	1	A604.PL02
800D	Rear Planetary Assy.....	96-ON	1	A606.PL01
816E	Housing-2/4 Piston 2nd Design (With Lanced Bleed Orifice).....	93-ON	1	A604.RET01
819D	Sun Gear-Rear.....	93-ON	1	A604.SUN01
820C	O.D. Clutch Hub 29.50mm (OEM).....	95-ON	1	A604.HUB05
820C	O.D. Clutch Hub 29.50mm (Aftermarket).....	95-ON	1	A604.HUB15
SPECIAL ITEMS				
NI	ATSG Rebuild Manual			A606.MAN01
900F	Nut - Planet (36mm).....	93-ON	1	A606.NUT01
901F	Nut - Tranfer Shaft (33mm).....	93-ON	1	A606.NUT02
NI	Accumulator Piston & Sleeve Kit (Sonnax).....	93-ON	1	A606.VA01
NI	Cooler Bypass Valve (In Case Under Pump).....	89-ON	1	A604.VA08

[Click here to view special tools for this transmission](#)