

CHRYSLER A604 (40TE, 41TE-FWD) (41AE)

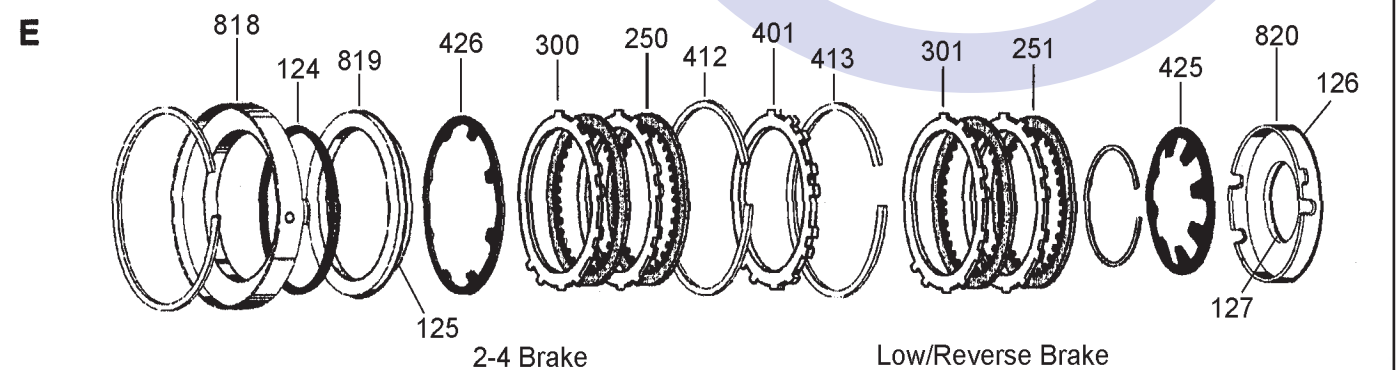
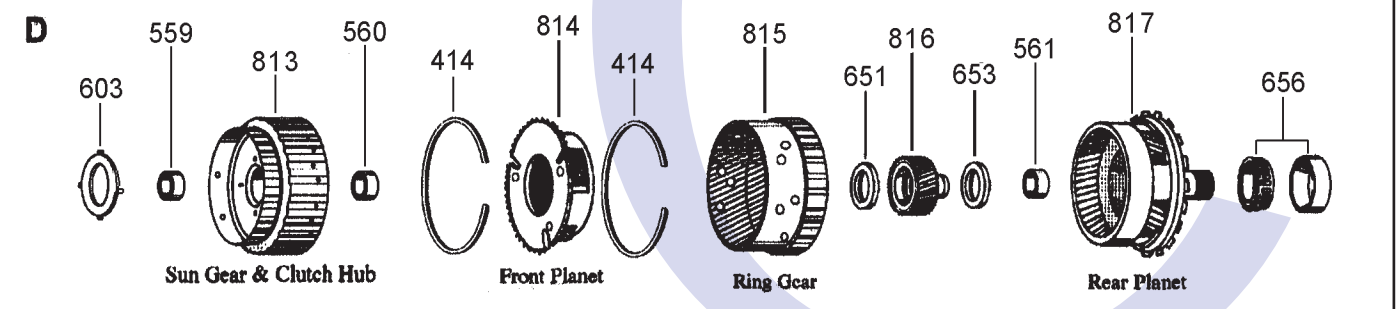
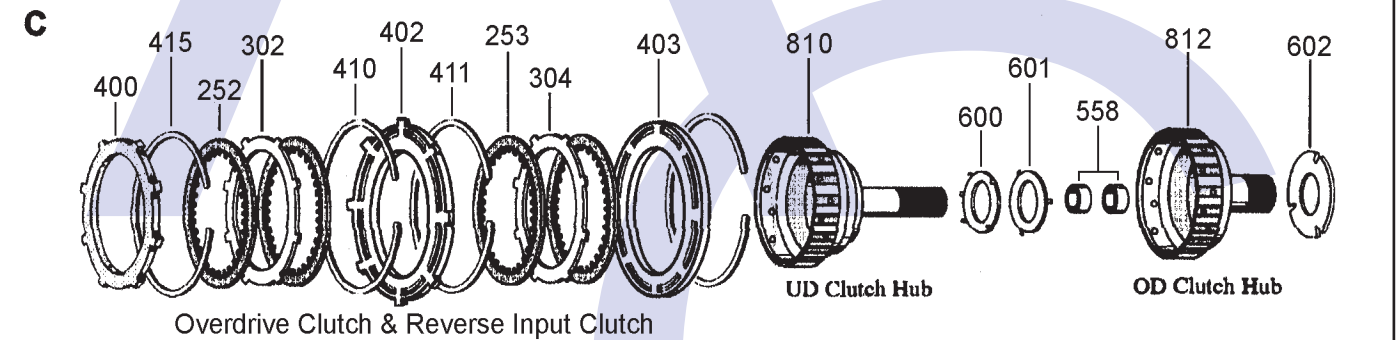
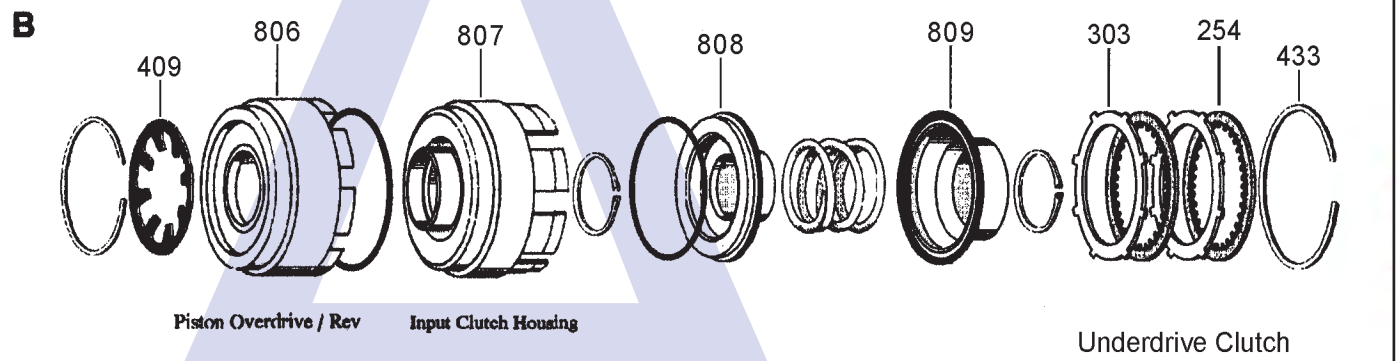
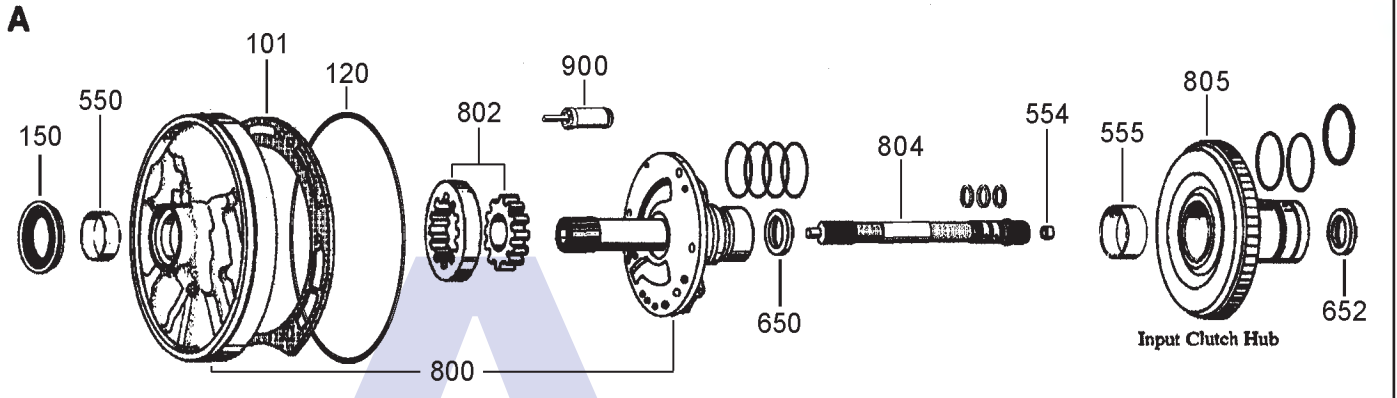
4 SPEED FWD (Full Electronic Control)



AUTOMATIC CHOICE



THE AUTOMATIC TRANSMISSION PARTS WAREHOUSE



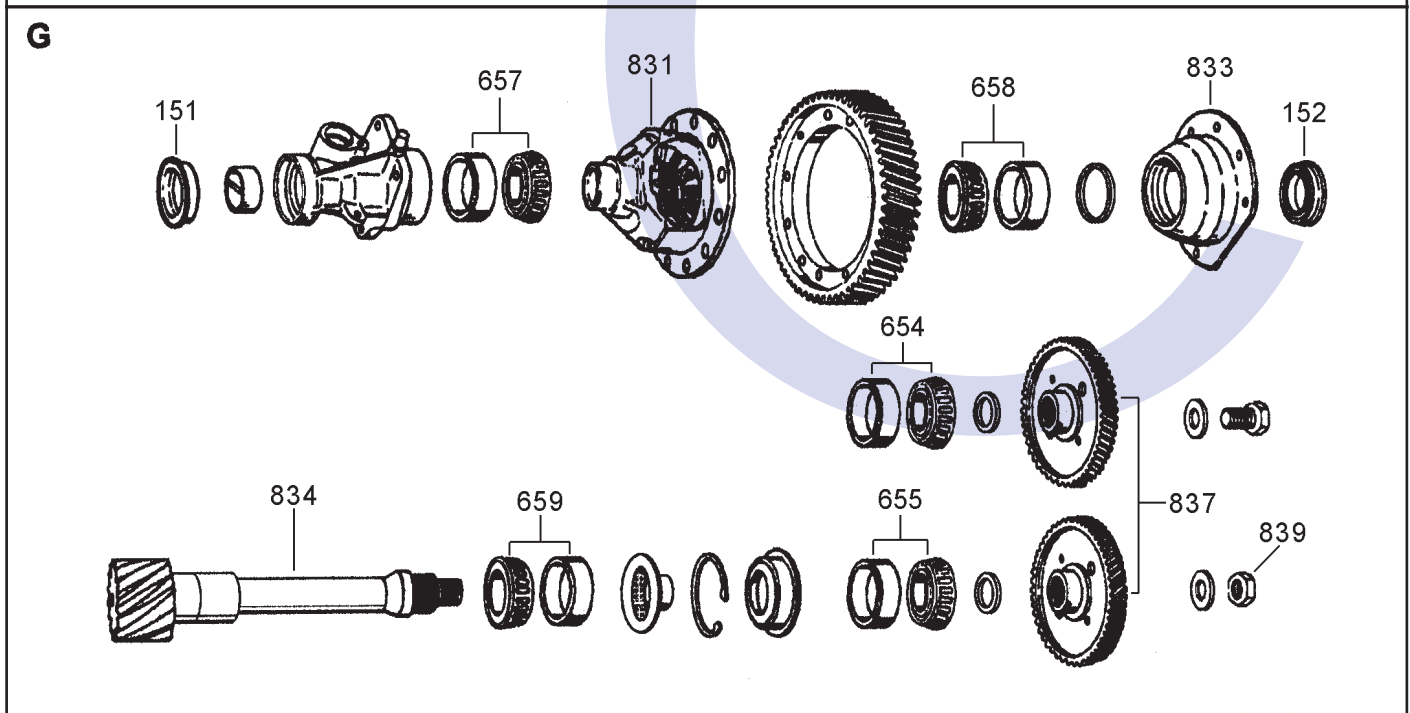
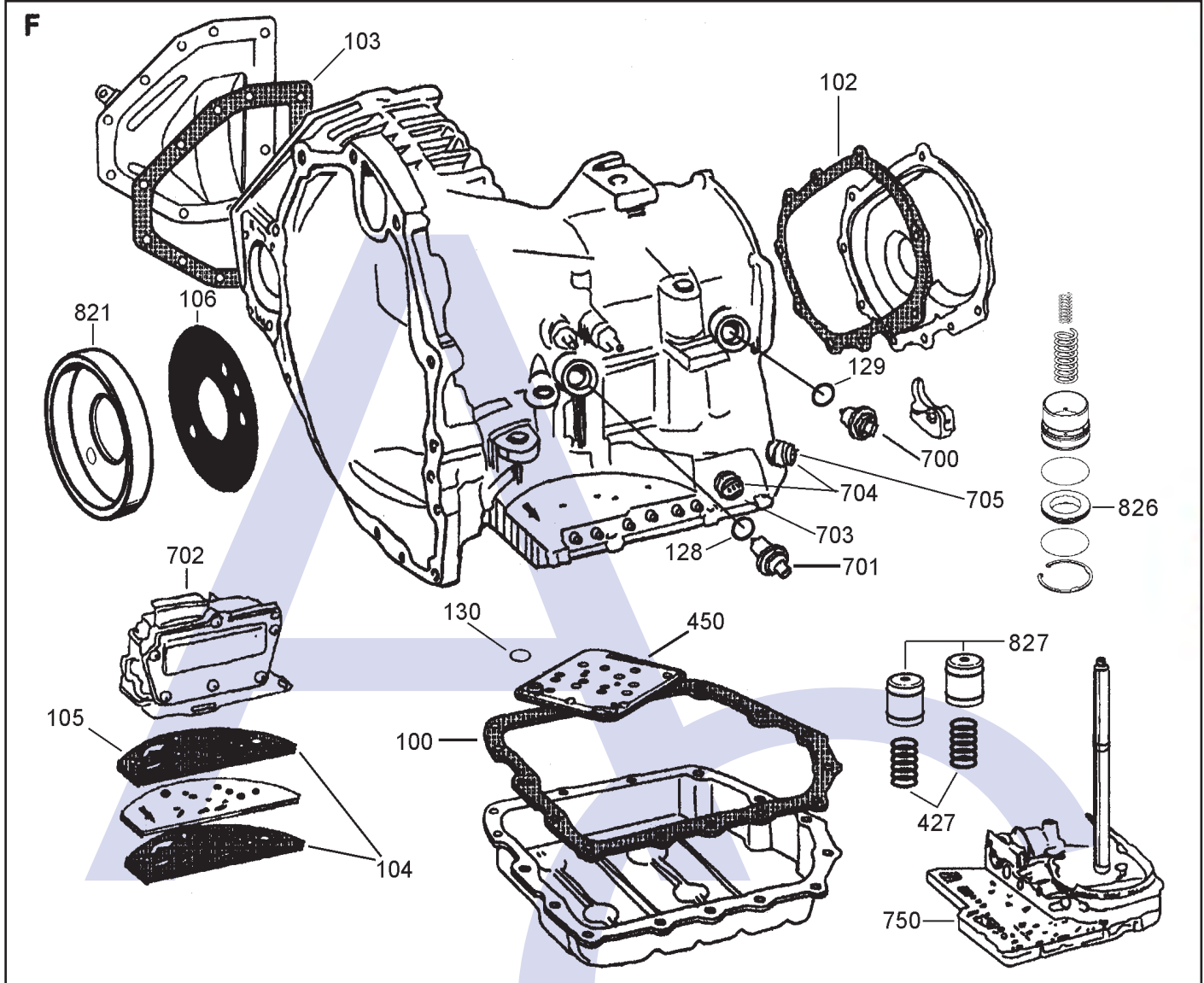
CHRYSLER A604 (40TE, 41TE-FWD) (41AE) 4 SPEED FWD (Full Electronic Control)



AUTOMATIC CHOICE



THE AUTOMATIC TRANSMISSION PARTS WAREHOUSE



CHRYSLER A604 (40TE, 41TE-FWD) (41AE)

4 SPEED FWD (Full Electronic Control)



AUTOMATIC CHOICE



THE AUTOMATIC TRANSMISSION PARTS WAREHOUSE

| ILL NO. | DESCRIPTION | YEARS | QTY | PART NO |
|---|---|-------|-----|--------------------|
| KITS | | | | |
| Kit | Super Overhaul Kit..... | 90-ON | 1 | A604.SOHK01 |
| Kit | Master Overhaul Kit..... | 90-ON | 1 | A604.MOHK01 |
| Kit | Overhaul Kit (Transtec)..... | 89-ON | 1 | A604.OHK01 |
| Kit | Overhaul Kit (Precision)..... | 89-ON | 1 | A604.OHK51 |
| Kit | Overhaul Kit 41TE (Transtec) (With Bonded Pistons, Duraprene Pan & Cover Gaskets)..... | 04-ON | 1 | A604.OHK02 |
| Kit | Overhaul Kit 40TE (Transtec) (With Bonded Pistons, Duraprene Pan & Cover Gaskets)..... | 04-ON | 1 | A604.OHK04 |
| <p>In the 2004 model year Chrysler introduced a light duty A604 with a designation of 40TE. This unit, as well as the more familiar 41TE, went to bonded pistons on the low/reverse and 2/4 clutch packs, as well as bonded accumulators and a bonded accumulator cover.</p> | | | | |
| GASKETS | | | | |
| 100F | Pan Gasket (Cork 14 Bolt)..... | 89-ON | 1 | A604.GAS01 |
| 100F | Pan Gasket (Fibre 14 Bolt)..... | 89-ON | 1 | A604.GAS10 |
| 101A | Pump Gasket..... | 89-ON | 1 | A604.GAS02 |
| 102F | Sprocket Cover (Fibre)..... | 89-ON | 1 | A604.GAS03 |
| 103F | Differential Cover (Fibre)..... | 89-ON | 1 | A604.GAS04 |
| 104F | Solenoid Gasket..... | 88-99 | 2 | A604.GAS05 |
| 105F | Solenoid Gasket..... | 00-ON | 1 | A604.GAS06 |
| 106F | Gasket, Low/Reverse Piston Retainer..... | 89-ON | 1 | A604.GAS08 |
| 106F | New Design Low/Reverse Piston Retainer Oil Feed Seal (Sonnax@ Click here for info).... | 89-ON | 1 | A604.RET06 |
| RUBBER COMPONENTS | | | | |
| 120A | 'O' Ring, Pump Outer..... | 89-ON | 1 | A404.OR01 |
| 124E | 'D' Ring 2nd / 4th Piston Inner (2nd Design)..... | 89-ON | 1 | A604.OR02 |
| 125E | 'D' Ring 2nd / 4th Piston Outer (2nd Design)..... | 89-ON | 1 | A604.OR01 |
| 126E | 'D' Ring Low/Rev Piston Outer (2nd Design)..... | 89-ON | 1 | A604.OR03 |
| 127E | 'D' Ring Low/Rev Piston Inner (2nd Design)..... | 89-ON | 1 | A604.OR04 |
| 128F | 'O' Ring, Turbine Speed Sensor | 89-ON | 1 | A604.OR06 |
| 129F | 'O' Ring, Output Speed Sensor. | 89-ON | 1 | A604.OR06 |
| 130F | Filter 'O' Ring..... | 89-ON | 1 | A604.OR05 |
| METAL CLAD SEALS | | | | |
| 150A | Front Pump Seal..... | 89-ON | 1 | TF6.MCS01 |
| 151G | Differential Right Hand..... | 89-ON | 1 | A404.MCS02 |
| 152G | Differential Left Hand..... | 89-ON | 1 | A404.MCS02 |
| NI | Bearing Retainer Seal AWD (57.15mm x 36.83mm x 7.62mm) | 91-ON | 2 | A604.MCS02 |
| NI | Sealing Washer (Neutral Safety Switch)..... | 89-ON | 1 | A604.THW17 |
| SEALING RINGS | | | | |
| Kit | Sealing Ring..... | 89-ON | 1 | A604.SRK01 |
| CLUTCH KITS | | | | |
| Kit | Overdrive Clutch (Alto Power Pack)..... | 89-ON | 1 | A604.CK01 |
| FRICION PLATES | | | | |
| Kit | Friction Plate (Borg Warner)..... | 89-ON | 1 | A604.FRK01 |
| Kit | Friction Plate (Raybestos)..... | 89-ON | 1 | A604.FRK02 |

| ILL NO. | DESCRIPTION | YEARS | QTY | PART NO |
|-------------------------------|--|-------|-----|-------------------|
| FRICION PLATES Cont... | | | | |
| Kit | Friction Plate (Alto)..... | 90-ON | 1 | A604.FRK51 |
| Kit | Kevlar Friction Plate (Alto)..... | 90-ON | 1 | A604.FRK52 |
| Kit | Friction Plate (Alto) Combo..... | 90-ON | 1 | A604.FRK53 |
| Kit | Overdrive Clutch (Alto Power Pack)..... | 89-ON | 1 | A604.CK01 |
| 250E | 2nd & 4th Friction (154mm OD x 2.10mm x 31T) .. | 89-ON | 4 | A604.FRP02 |
| 250E | 2nd & 4th Friction (Raybestos) (154mm OD x 2.10mm x 31T) .. | 89-ON | 4 | A604.FRP12 |
| 251E | Low / Reverse Friction (154mm OD x 1.80mm x 32T) .. | 89-ON | 5 | A604.FRP03 |
| 251E | Low / Reverse Friction (Raybestos) (154mm OD x 1.80mm x 32T) .. | 89-ON | 5 | A604.FRP13 |
| 251E | Low / Reverse Friction (Raybestos) (154mm OD x 1.90mm x 32T) .. | 89-ON | 5 | A604.FRP63 |
| 252C | Overdrive Friction (138mm OD x 2.20mm x 28T) .. | 1989 | 3 | A604.FRP04 |
| 252C | Overdrive Friction (For Alto Power Pack) (138mm OD x 2.20mm x 28T) .. | 1989 | 4 | A604.FRP54 |
| 252C | Overdrive Friction (Alto Hi Performance) (138mm OD x 1.57mm x 28T) .. | 1989 | AR | A604.FRP61 |
| 252C | Overdrive Friction (138mm OD x 1.80mm x 28T) .. | 90-ON | 4 | A604.FRP01 |
| 252C | Overdrive Friction (Raybestos) (138mm OD x 1.80mm x 28T) .. | 90-ON | 4 | A604.FRP11 |
| 253C | Reverse Input Friction (138mm OD x 1.80mm x 28T) .. | 89-ON | 2 | A604.FRP01 |
| 253C | Reverse Input Friction (Raybestos) (138mm OD x 1.80mm x 28T) .. | 89-ON | 2 | A604.FRP11 |
| 254B | Underdrive Friction (138mm OD x 1.80mm x 28T) .. | 89-ON | 4 | A604.FRP01 |
| 254B | Underdrive Friction (Raybestos) (138mm OD x 1.80mm x 28T) .. | 89-ON | 4 | A604.FRP11 |
| 254B | Underdrive Friction (Alto) (138mm OD x 1.80mm x 28T) .. | 89-ON | 4 | A604.FRP51 |
| STEEL PLATES | | | | |
| Kit | Steel Plate..... | 90-ON | 1 | A604.STK01 |
| Kit | Steel Plate (Alto Combo Kit)..... | 88-ON | 1 | A604.STK51 |
| Kit | Steel Plate (Alto)..... | 90-ON | 1 | A604.STK52 |
| 300E | 2nd & 4th Steel (133mm ID x 2.40mm x 14T) | 89-ON | 4 | A604.STP02 |
| 301E | Low / Reverse Steel (133mm ID x 1.70mm x 14T) | 89-ON | 5 | A604.STP03 |
| 302C | Overdrive Steel (115mm ID x 2.50mm x 8T) | 1989 | 2 | A604.STP04 |
| 302C | Overdrive Steel (For Alto Power Pack) (115mm ID x 2.50mm x 8T) | 1989 | 3 | A604.STP54 |
| 302C | Overdrive Steel (Alto Hi Performance) (115mm ID x 1.52mm x 8T) | 1989 | AR | A604.STP61 |
| 302C | Overdrive Steel (115mm ID x 1.70mm x 8T) | 90-ON | 3 | A604.STP01 |
| 303B | Underdrive Steel (115mm ID x 1.70mm x 8T) | 89-ON | 4 | A604.STP01 |
| 304C | Reverse Input Steel (115mm ID x 1.70mm x 8T) | 89-ON | 1 | A604.STP01 |
| PRESSURE PLATES | | | | |
| 400C | Pressure Plate-Underdrive (7.00mm x 3 Plate)..... | 89-92 | 1 | A604.PP01 |
| 400C | Pressure Plate-Underdrive (5.46mm x 4 Plate)..... | 89-96 | 1 | A604.PP02 |
| 400C | Pressure Plate-Underdrive (6.00mm x 4 Plate Update Kit) .. | 89-96 | 1 | A604.PP03 |
| 400C | Pressure Plate-Underdrive (6.48mm x 4 Plate)..... | 89-96 | 1 | A604.PP04 |

CHRYSLER A604 (40TE, 41TE-FWD) (41AE)

4 SPEED FWD (Full Electronic Control)



AUTOMATIC CHOICE



THE AUTOMATIC TRANSMISSION PARTS WAREHOUSE

| ILL NO. | DESCRIPTION | YEARS | QTY | PART NO |
|--------------------------------|---|-------|-----|-------------------|
| PRESSURE PLATES Cont... | | | | |
| 400C | Pressure Plate-Underdrive (7.00mm x 4 Plate)..... | 89-96 | 1 | A604.PP05 |
| 401E | Pressure Plate-Low & Reverse (5.84mm)..... | 89-ON | 1 | A604.PP06 |
| 402C | Pressure Plate-Overdrive/Reverse (8 Slots & 4 Lugs) | 91-96 | 1 | A604.PP07 |
| 402C | Pressure Plate-Overdrive/Reverse (4 Lugs 12.20mm)..... | 03-ON | 1 | A604.PP10 |
| 402C | Pressure Plate-Overdrive (Alto Powerpack Component) (4 Lugs 7.50mm)..... | 91-96 | 1 | A604.PP09 |
| 403C | Pressure Plate-Reverse Input (No External Lugs)..... | 89-91 | 1 | A604.PP08 |
| SPRINGS & CIRCLIPS | | | | |
| Kit | Snap Ring Kit (Complete) | 89-ON | 1 | A604.CIR01 |
| Kit | Spap Ring Kit (14 Most Popular)..... | 89-ON | 1 | A604.CIR10 |
| 409B | Diaphragm Spring O. Drive/Rev (125mm O.D.) | 89-ON | 1 | A604.DIA03 |
| 410C | Snap Ring O. Drive/Rev P. Plate (Waved) | 89-ON | 1 | A604.CIR02 |
| 411C | Snap Ring-Rev Input P. Plate (Rear Flat)..... | 89-ON | 1 | A604.CIR03 |
| 412E | Snap Ring-Low Rev P. Plate (Front Tapered 1.75mm) | 88-97 | 1 | A604.CIR04 |
| 412E | Snap Ring-Low Rev P. Plate (Front Tapered 1.93mm) | 98-ON | 1 | A604.CIR12 |
| 413E | Snap Ring-Low Rev P. Plate (Flat)..... | 89-ON | 1 | A604.CIR05 |
| 414D | Snap Ring-Front Planet to Ring gear (Front & Rear) | 89-ON | 2 | A604.CIR06 |
| 415C | Snap Ring-OD Clutch P. Plate (Rear 1.93mm Tapered 4 Pack) | 90-ON | 1 | A604.CIR07 |
| 415C | Snap Ring-OD Clutch P. Plate (Rear 1.52mm Tapered)..... | 90-ON | 1 | A604.CIR08 |
| 425E | Diaphragm Spring Low / Rev (137mm OD) | 89-ON | 1 | A604.DIA01 |
| 425E | Diaphragm Spring Low / Rev (Bonded Design)..... | 03-ON | 1 | A604.DIA04 |
| 426E | Diaphragm Spring 2/4 Clutch (165mm OD) | 89-ON | 1 | A604.DIA02 |
| 427F | Accumulator Spring Fits All Acc (2.845mm Wire Diameter)..... | 96-ON | 4 | A604.SPR01 |
| 433B | Snap Ring, Underdrive (2.31mm Thick) | 97-ON | 1 | A604.CIR11 |
| FILTERS | | | | |
| 450F | Filter Oil Pick Up | 89-ON | 1 | A604.FIL01 |
| BUSHINGS | | | | |
| Kit | Bush Kit..... | 89-95 | 1 | A604.BK01 |
| Kit | Bush Kit..... | 96-ON | 1 | A604.BK02 |
| 550A | Pump Bush | 89-ON | 1 | TF6.BUS01 |
| 550A | Pump Bush (5 Pack Sonnax).... | 89-ON | 1 | A604.BUS01 |
| 554A | Input Shaft (Installs in Rear) | 89-00 | 1 | A604.BUS09 |
| 554A | Input Shaft (Installs in Rear) | 00-ON | 1 | A604.BUS10 |
| 555A | Input Clutch Hub (Sonnax® Click here for Info) ... | 89-ON | 1 | A604.BUS08 |
| 558C | Overdrive Clutch Hub (Housing ID 24.358mm ID) | 89-94 | 2 | A604.BUS02 |
| 558C | Overdrive Clutch Hub (5 Pack) (Sonnax Replaces Both OEM) (Housing ID 24.358mm)..... | 89-94 | 1 | A604.BUS07 |
| 558C | Overdrive Clutch Hub (5 Pack) (Sonnax Replaces Both OEM) (Housing ID 23.799mm)..... | 95-ON | 1 | A604.BUS03 |

| ILL NO. | DESCRIPTION | YEARS | QTY | PART NO |
|--------------------------------------|---|-------|-----|--------------------|
| BUSHINGS Cont... | | | | |
| 558C | Overdrive Clutch Hub (5 Pack) (Sonnax Replaces Both OEM) (Housing ID 23.901mm)..... | 95-ON | 1 | A604.BUS11 |
| 559D | Sun Gear & 2/4 Clutch Hub Assy (Front 28.96mm OD)..... | 89-95 | 1 | A604.BUS04 |
| 560D | Sun Gear & 2/4 Clutch Hub Assy (Rear 28.96mm OD) | 89-95 | 1 | A604.BUS04 |
| 561D | Rear Planetary (31.115mm OD) | 89-ON | 1 | A604.BUS05 |
| THRUST WASHERS & BEARINGS | | | | |
| Kit | Washer Kit W/O Selectives (A604.THW13 Not Included)..... | 89-ON | 1 | A604.TWK01 |
| Kit | Thrust Bearing Kit (5 Pieces).... | 89-ON | 1 | A604.TWK02 |
| Kit | Shim Kit Tranfer Gear (10 x 0.13mm Shims)..... | 89-ON | 1 | A604.SHIM01 |
| Kit | Shim Kit Preload & End Play | 89-ON | 1 | A604.SHK01 |
| 600C | Washer-Underdrive Clutch Hub (Babbit 5 Tabs)..... | 89-ON | 1 | A604.THW12 |
| 601C | Washer/Race (3 Tabs) (U. Drive Hub to O. Drive Hub) | 89-ON | 1 | A604.THW11 |
| 602C | Washer Overdrive Clutch Hub (3 Slot Selective 0.91mm)..... | 89-ON | 1 | A604.THW01 |
| 602C | Washer Overdrive Clutch Hub (3 Slot Selective 1.15mm)..... | 89-ON | 1 | A604.THW02 |
| 602C | Washer Overdrive Clutch Hub (3 Slot Selective 1.35mm)..... | 89-ON | 1 | A604.THW03 |
| 602C | Washer Overdrive Clutch Hub (3 Slot Selective 1.80mm)..... | 89-ON | 1 | A604.THW04 |
| 602C | Washer Overdrive Clutch Hub (3 Slot Selective 2.25mm)..... | 89-ON | 1 | A604.THW05 |
| 602C | Washer Overdrive Clutch Hub (3 Slot Selective 2.47mm)..... | 89-ON | 1 | A604.THW06 |
| 602C | Washer Overdrive Clutch Hub (3 Slot Selective 2.90mm)..... | 89-ON | 1 | A604.THW07 |
| 602C | Washer Overdrive Clutch Hub (3 Slot Selective 3.20mm)..... | 89-ON | 1 | A604.THW08 |
| 603D | Washer Sun Gear/Clutch Hub (4 Tabs) | 89-ON | 1 | A604.THW13 |
| 650A | Bearing Stator Rear to Input Clutch Hub (43.50mm x 29.20mm) | 89-ON | 1 | A604.BE01 |
| 651D | Bearing Front Planet to RearSun Gear (53.35mm x 34.50mm)..... | 89-ON | 1 | A604.BE02 |
| 652A | Bearing Input Clutch Hub to Underdrive Clutch Hub..... | 89-ON | 1 | A604.BE03 |
| 653D | Bearing Rear Sun Gear to Rear Planet..... | 89-ON | 1 | A604.BE03 |
| NI | Bearing Front Planet (Must be Disassembled) | 89-ON | 1 | A604.BE03 |
| 654G | Bearing & Race Assy (Case to Drive Sprocket)..... | 89-ON | 1 | A604.BE04 |
| 655G | Bearing & Race Assy (Driven Sprocket) | 89-ON | 1 | A604.BE05 |
| 656D | Bearing & Race Assy (Rear Planet to Case) | 89-ON | 1 | A404.BE02 |
| 657G | Bearing & Race Assy (Final Drive Housing 22 Roller) | 89-ON | 2 | A404.BE02 |
| 658G | Bearing & Race Assy (Final Drive Housing 22 Roller) | 89-ON | 2 | A404.BE02 |
| 658G | Bearing & Race Assy (Final Drive Housing 19 Roller) | 96-ON | 2 | A404.BE03 |
| 659G | Bearing & Race Kit (Pinion to Case) | 96-ON | 1 | A604.BE07 |

CHRYSLER A604 (40TE, 41TE-FWD) (41AE)

4 SPEED FWD (Full Electronic Control)



AUTOMATIC CHOICE



THE AUTOMATIC TRANSMISSION PARTS WAREHOUSE

| ILL NO. | DESCRIPTION | YEARS | QTY | PART NO |
|------------------------------|--|-------|-----|--------------------|
| ELECTRICAL COMPONENTS | | | | |
| Kit | Rebuild Kit Solenoid Assy | 89-99 | 1 | A604.SOL02 |
| Kit | Rebuild Kit Solenoid Assy | 00-ON | 1 | A604.SOL04 |
| NI | Solenoid, EPS (41TES) | 07-ON | 1 | A604.SOL09 |
| 700F | Output Speed Sensor | 89-ON | 1 | A604.ELE01 |
| 701F | Turbine Input Speed Sensor | 89-ON | 1 | A604.ELE02 |
| NI | Internal Range Sensor (Pin Terminals) | 96-99 | 1 | A604.ELE03 |
| NI | Internal Range Sensor (Spade Terminals) | 99-ON | 1 | A604.ELE04 |
| 702F | Solenoid Assembly (OEM) (Requires Late Gasket Part No. A604.GAS06) | 89-ON | 1 | A604.SOL03 |
| 702F | Solenoid Assembly (Rebuilt) | 99-ON | 1 | A604.SOL08 |
| 703F | PRNODL Switch (Course Threads) | 90-95 | 1 | A604.INH01 |
| 704F | PRNODL Switch & Neutral S. Switch (Update Kit 89-90) | 1989 | 1 | A604.INH02 |
| NI | Harness (Use With A604.INH02 Update Kit) | 1989 | 1 | A604.INH04 |
| 705F | Neutral Safety Switch (Fine Threads) | 1989 | 1 | TF8.INH01 |
| 705F | Neutral Safety Switch (Fine Threads) | 90-95 | 1 | A604.INH03 |
| NI | Brass Contacts for Solenoids (Pack of 9 Click here for Info) | 89-ON | 1 | A604.SOL07 |
| NI | Switch, Pressure Transducer (41TES) | 07-ON | 1 | A604.ELE08 |
| NI | Connector, EPC Solenoid (41TES) | 07-ON | 1 | A604.ELE09 |
| NI | External Harness/Sol Repair | 89-ON | 1 | A604.ELE10 |
| VALVE BODY PARTS | | | | |
| 750F | Valve Body, Rebuilt (Vehicle Details Required) | 89-ON | 1 | A604.VBxx |
| Kit | Junior Shift Kit (TransGo) | 89-ON | 1 | A604.SK01 |
| Kit | Oversize Solenoid Switch Valve (VLP Units Only) Plug Kit (Requires Tool A604.VA13) (Sonnax® Click here for Info) | 07-ON | 1 | A604.VA12 |
| Kit | Toolkit for A604.VA12 | 89-ON | 1 | A604.VA13 |
| Kit | Oversize Pressure Regulator Valve (Requires Tool A604.VA15 & Valve Body Fixture AG4.VA05) (Sonnax® Click here for Info) | 89-ON | 1 | A604.VA14 |
| Kit | Toolkit for A604.VA14 | 89-ON | 1 | A604.VA15 |
| Kit | Oversize solenoid Switch Valve (Requires Tool A604.VA10 & Valve Body Fixture AG4.VA05) (Sonnax® Click here for Info) | 89-ON | 1 | A604.VA09 |
| Kit | Toolkit for A604.VA09 | 89-ON | 1 | A604.VA10 |
| NI | TCC Regulator Valve (Sonnax) | 89-ON | 1 | A604.VA02 |
| NI | Boost Valve Sleeve (Sonnax) | 89-ON | 1 | A604.VA03 |
| NI | Converter Regulator Valve & Sleeve (Sonnax) | 89-ON | 1 | A604.VA04 |
| NI | Replacement Switch Valve Plugs (Non VLP Units) Prevents Cocking (Sonnax) | 89-ON | 1 | A604.VA05 |
| Kit | Accumulator Sleeve & Piston Kit (Sonnax® Click Here for Info) | 99-ON | 1 | 45RFE.ACC04 |
| HARD PARTS | | | | |
| 800A | Pump Assy (4 Ring) | 90-ON | 1 | A604.PUM01 |
| 800A | Pump Assy (Dual Cyclonical) (12 Lobes) | 99-ON | 1 | A604.PUM02 |
| 802A | Pump Gear Set | 89-ON | 1 | A604.PUM03 |
| 802A | Pump Gear Set (Dual Cyclonical) | 89-ON | 1 | A604.PUM04 |
| 804A | Input Shaft (22 Splines) | 89-ON | 1 | A604.SH02 |

| ILL NO. | DESCRIPTION | YEARS | QTY | PART NO |
|---------------------------|--|--------|-----|---|
| HARD PARTS CONT... | | | | |
| 805A | Input Clutch Hub 4 Ring Pump (2.54mm 'O' Ring Groove) | 90-ON | 1 | A604.HUB04 |
| 806B | Piston-Overdrive / Reverse (8-4 Lug Press Plate Update) | 89-90 | 1 | A604.PIS03 |
| 806B | Piston-Overdrive / Reverse (4 Lugs for Press Plate) | 90-ON | 1 | A604.PIS04 |
| 807B | Input Clutch Ret./Housing (4 Plate Overdrive Clutch) | 91-ON | 1 | A604.RET02 |
| 808B | Piston-Input C. Drum/U. Drive (12.70mm Tall) | 89-ON | 1 | A604.PIS05 |
| 808B | Piston-Input C. Drum/U. Drive (19.05mm Tall) | 03-ON | 1 | A604.PIS09 |
| 809B | Piston-Moulded Lip and Spring Retainer | 89-ON | 1 | A604.PIS01 |
| 810C | Underdrive Clutch Hub (Solid Shaft) | 89-ON | 1 | A604.HUB01 |
| 812C | O.D. Clutch Hub 28.96mm Small O.D. (Hollow Shaft) | 89-94 | 1 | See Note Below (Use A604.HUB05 with A604.DRU02/12) |
| 812C | O.D. Clutch Hub 29.50mm (OEM) | 95-ON | 1 | A604.HUB05 |
| 812C | O.D. Clutch Hub 29.50mm (Aftermarket) | 95-ON | 1 | A604.HUB15 |
| 813D | Sun Gear & 2/4 Clutch Hub | 89-94 | 1 | A604.DRU01 |
| 813D | Sun Gear & 2/4 Clutch Hub (OEM) (Has Larger Bushing) | 95-ON | 1 | A604.DRU02 |
| 813D | Sun Gear & 2/4 Clutch Hub (AM) (Has Larger Bushing) | 95-ON | 1 | A604.DRU12 |
| 814D | Front Planet Assy (OEM) | 89-ON | 1 | A604.PL01 |
| 814D | Front Planet Assy (Aftermarket) | 89-ON | 1 | A604.PL11 |
| NI | Front Planet Repair, Contains OD Clutch Hub, Front Planet & Sun Gear-29.50mm | 95-ON | 1 | A604.PLK01 |
| NI | Front Planet Repair Kit, Long Shaft (5 Piece) Does Not Contain #820C | 91-ON | 1 | A604.PLK03 |
| NI | Front Planet Repair Kit, Long Shaft (6 Piece) Also Contains #820C | 91-ON | 1 | A604.PLK04 |
| NI | Planet Repair Kit, (Aftermarket) Long Shaft (6 Piece) Also Contains #820C | 91-ON | 1 | A604.PLK06 |
| 815D | Anulus-Rear Planetary (Second Design) | 89-ON | 1 | A604.HUB03 |
| 816D | Sun Gear-Rear | 89-ON | 1 | A604.SUN01 |
| 817D | Rear Planet W/Short Shaft (25.40mm) | 89-91L | 1 | A604.PL02 |
| 817D | Rear Planet Splined Shaft (OEM) (28.80mm) 5 Pinion | 91L-ON | 1 | A604.PL03 |
| 817D | Rear Planet Splined Shaft (Aftermarket) (28.80mm) 4 Pinion | 91L-ON | 1 | A604.PL13 |
| 818E | Housing-2/4 Piston 2nd Design (With Lanced Bleed Orifice) | 89-ON | 1 | A604.RET01 |
| 819E | Piston 2-4 Brake (40TE) (21.80mm Bonded Rubber) | 04-ON | 1 | A604.PIS12 |
| 819E | Piston 2-4 Brake (41TE) (16.90mm Bonded Rubber) | 04-ON | 1 | A604.PIS13 |
| 820E | Piston-Low & Reverse | 89-03 | 1 | A604.PIS02 |
| 820E | Piston-Low & Reverse (Bonded Rubber) | 89-03 | 1 | A604.PIS08 |
| 820E | Piston-Low & Reverse (40TE) (Bonded 30mm High) | 04-ON | 1 | A604.PIS06 |
| 820E | Piston-Low & Reverse (41TE) (Bonded 27mm High) | 04-ON | 1 | A604.PIS07 |
| 821F | Retainer, Low Reverse Clutch (A604/62TE) | 04-ON | 1 | A604.RET07 |

