

CHRYSLER A518 (46RH, 46RE) A618 (47RH, 47RE, 48RE)

4 Speed RWD & 4WD (Hydraulic & Electronic Control)

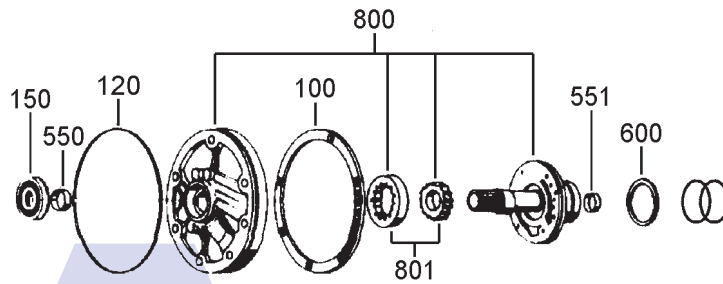


AUTOMATIC CHOICE

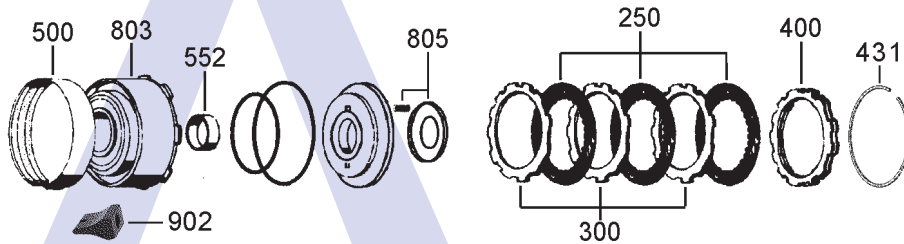


THE AUTOMATIC TRANSMISSION PARTS WAREHOUSE

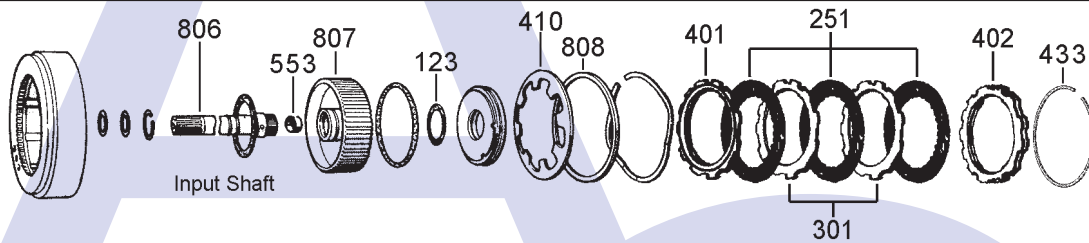
A



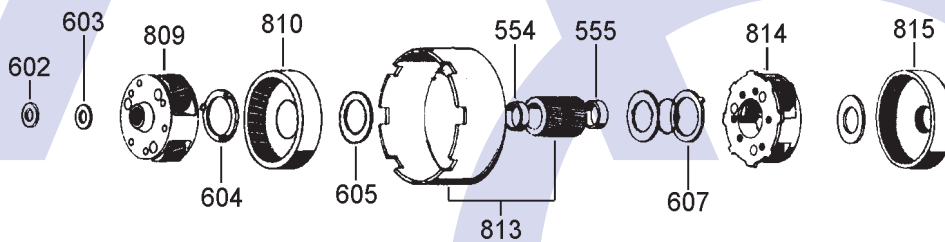
B



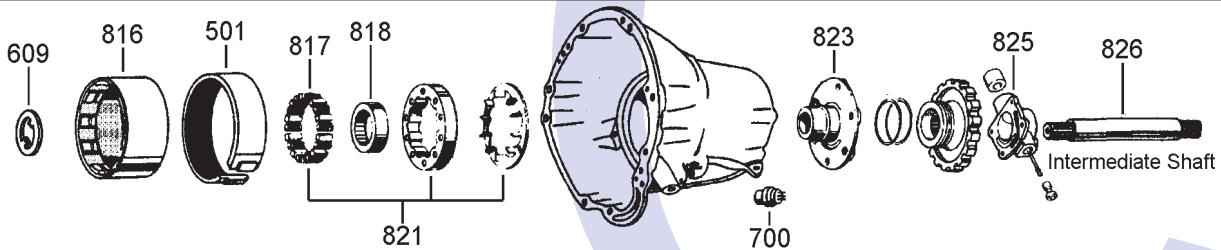
C



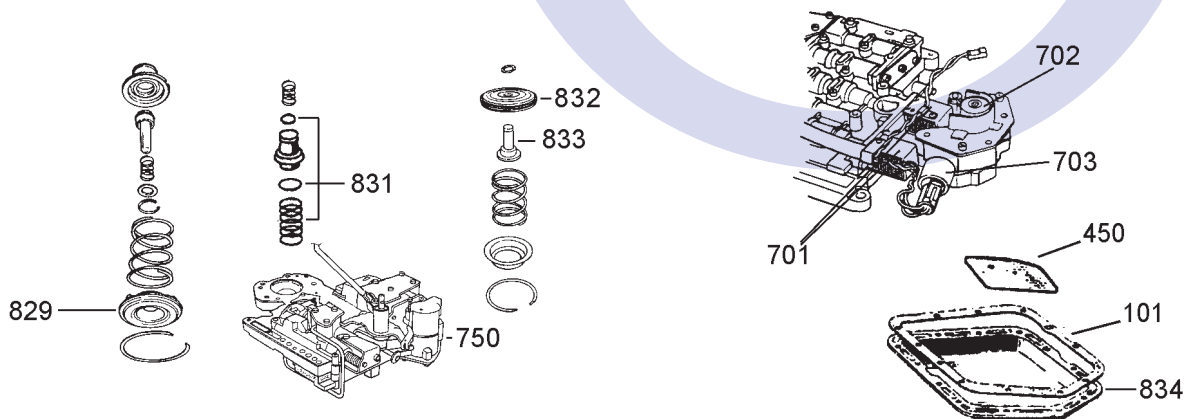
D



E



F



CHRYSLER A518 (46RH, 46RE) A618 (47RH, 47RE, 48RE)

4 Speed RWD & 4WD (Hydraulic & Electronic Control)

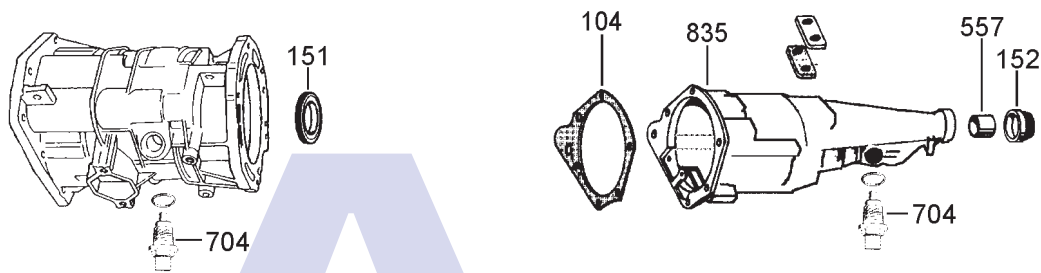


AUTOMATIC CHOICE



THE AUTOMATIC TRANSMISSION PARTS WAREHOUSE

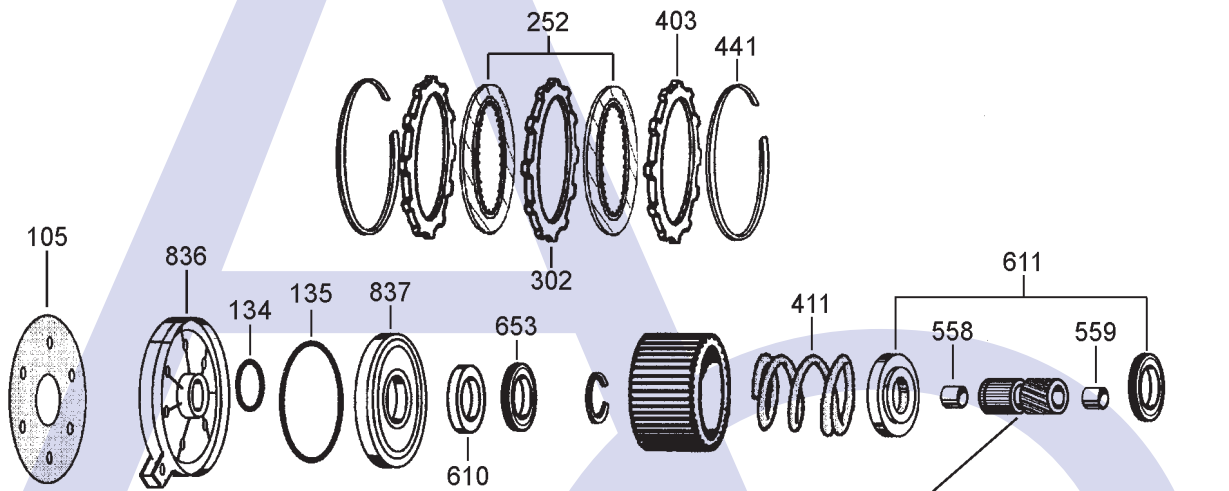
G



4WD Adaptor Housing

2WD Extension Housing

H



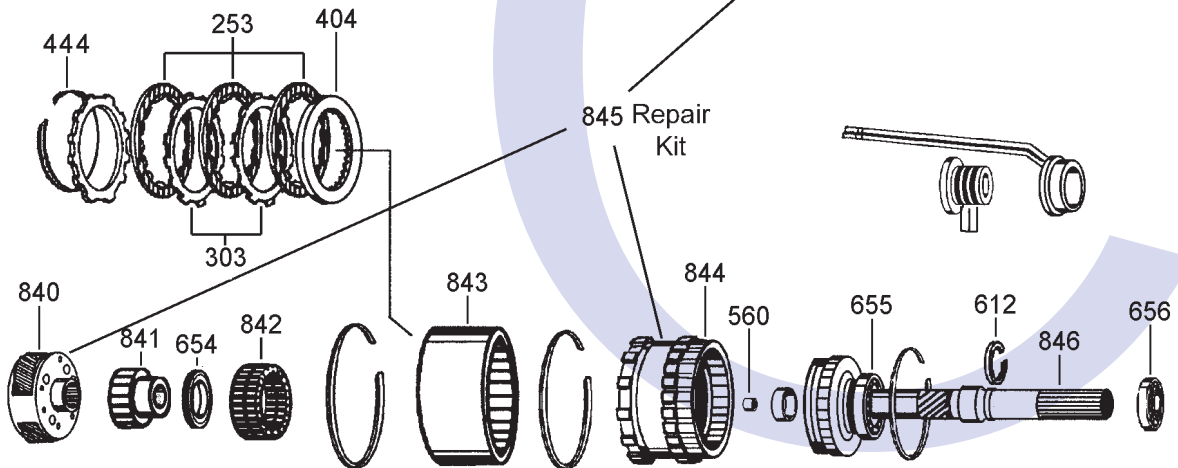
Overdrive Piston & Housing

Direct Clutch Hub

Thrust Plate

Overdrive Sun Gear

K



One Way Cam

Roller & Spring Assy

Direct Clutch Housing

Ring Gear

2WD Output Shaft

CHRYSLER A518 (46RH, 46RE) A618 (47RH, 47RE, 48RE)

4 Speed RWD & 4WD (Hydraulic & Electronic Control)



AUTOMATIC CHOICE



THE AUTOMATIC TRANSMISSION PARTS WAREHOUSE

ILL NO.	DESCRIPTION	YEARS	QTY	PART NO
KITS				
Kit	Overhaul Kit (Transtec) (A518 A618)	90-ON	1	A518.OHK01
Kit	Overhaul Kit (Precision) (A518, 46RH, 46RE)	90-ON	1	A518.OHK51
Kit	Overhaul Kit (Transtec) 48RE V10 Petrol & 5.9L Cummins Diesel	03-ON	1	A518.OHK02
Kit	Gasket & Rubber (A518/A618)	90-ON	1	A518.GSK01
Kit	Sonnax 'Sure Cure' Reconditioning Kit (42RH/RE & 46/47RH/RE)	90-ON	1	A518.SCK01
GASKETS				
100A	Front Pump	90-ON	1	TF8.GAS02
101F	Pan Gasket	90-ON	1	TF8.GAS01
101F	Pan Gasket (Farpak)	90-ON	1	TF8.GAS10
101F	Pan Gasket (A618) (Plastic & Rubber)	90-ON	1	TF8.GAS11
104G	Extension Housing	90-ON	1	A500.GAS03
105H	OD Housing to Case	90-ON	1	A518.GAS03
NI	Sealing Washer PRNDL Switch	90-ON	1	TF8.GAS05
NI	O.D. & TCC Solenoid to Valve Body	90-ON	1	A518.GAS04
NI	Washer, Pump Bolt	90-ON	7	TH180.WA01
RUBBER COMPONENTS				
120A	Front Pump O Ring	90-ON	1	TF8.OR01
123C	Modified Lip Seal			
	Forward Clutch (Inner)	90-ON	1	A518.LIP01
134H	Inner Lip Seal			
	Overdrive Clutch Piston	90-ON	1	A500.OR01
135H	Outer Lip Seal			
	Overdrive Clutch Piston	90-ON	1	A500.OR02
NI	Lip Seal, Throttle Lever Shaft	90-ON	1	TF6.MCS06
NI	Boot, Filler Tube	97-ON	1	A518.OR01
METAL CLAD SEALS				
150A	Front Pump	90-ON	1	TF8.MCS01
151G	Extension Housing 4WD (68.30mm OD)	90-ON	1	TF8.MCS10
151G	Adaptor Housing 4WD (65.28mm OD)	62-ON	1	TF6.MCS04
152G	Extension Housing Without Boot (63.80mm OD)	90-ON	1	TH400.MCS02**
152G	Extension Housing With Boot (63.80mm OD x 42.00mm ID)	90-ON	1	TF8.MCS02*
152G	Extension Housing (A618/48RE) (75.82mm OD)	03-ON	1	A618.MCS02
NI	Selector Shaft	90-ON	1	TF8.MCS04
* Included in A518.OHK01				
SEALING RINGS				
Kit	Sealing Ring Kit	90-ON	1	A518.SRK01
Kit	1-2 Accumulator Kit (Viton 'D' Rings)	90-ON	1	TF6.SRK02

ILL NO.	DESCRIPTION	YEARS	QTY	PART NO
FRICITION PLATES				
Kit	Clutch Kit (Friction & Steel Plates) (A618 48RE)	03-ON	1	A618.CK01
Kit	Clutch Kit (Alto Friction & Steel Plates) (A618 48RE High Performance)	03-ON	1	A618.CK61
Kit	Friction Plate (A518)	90-93	1	A518.FRK01
Kit	Friction Plate (A518) (Alto)	90-93	1	A518.FRK51
Kit	Friction Plate (A518,A618)	94-97	1	A618.FRK01
Kit	Friction Plate (Alto) (A518,A618)	94-97	1	A518.FRK52
Kit	Friction Plate (A518) (Alto)	98-ON	1	A518.FRK53
Kit	Friction Plate (A618) (Alto)	98-03	1	A618.FRK51
Kit	Friction Plate (Overdrive) (Alto, High Performance)	90-ON	1	A518.FRK65
250B	High & Reverse (Front) (170mm OD x 2.41mm x 62T)	90-ON	3-4	TF8.FRP01
250B	High & Reverse (Front) (Alto) (170mm OD x 2.41mm x 62T)	90-ON	3-4	TF8.FRP51
250B	High & Reverse (High Energy) (170mm OD x 2.41mm x 62T)	90-ON	3-4	TF8.FRP03
250B	High & Reverse Parrallel Grooves (170mm OD x 2.41mm x 62T)	92-ON	3-4	A518.FRP01
251C	Forward (Rear) Smooth (170mm OD x 1.55mm x 62T)	90-ON	4	TF8.FRP02
251C	Forward (Rear) (Alto Red Eagle Smooth) (170mm OD x 1.55mm x 62T)	90-ON	4	TF8.FRP52
251C	Forward (Rear) (Alto Red Eagle Grooved) (170mm OD x 1.55mm x 62T)	90-ON	4	TF8.FRP53
251C	Forward Clutch (A618 48RE) (170mm OD x 1.60mm x 93T)	03-ON	5	A518.FRP06
252H	Overdrive Brake (A518/A618) (154mm OD x 2.20mm x 54T)	90-ON	3-5	A518.FRP02
252H	Overdrive Brake (A518/A618) (Raybestos) (154mm OD x 2.20mm x 54T)	90-ON	3-5	A518.FRP07
253K	Overdrive Direct (A518/A618) (140mm OD x 1.60mm x 54T)	90-ON	6-8	A518.FRP03
STEEL PLATES				
Kit	Clutch Kit (Friction & Steel Plates) (A618 48RE)	03-ON	1	A618.CK01
Kit	Steel Plate (A518)	90-93	1	A518.STK01
Kit	Steel Plate (A518) (Alto)	90-93	1	A518.STK51
Kit	Steel Plate (A518,A618)	94-97	1	A618.STK01
Kit	Steel Plate (A518,A618) (Alto)	94-97	1	A518.STK52
Kit	Steel Plate (A518) (Alto)	98-ON	1	A518.STK53
Kit	Steel Plate (A618) (Alto)	98-ON	1	A618.STK51
300B	High & Reverse (Front) (136mm ID x 1.72mm x 12T)	90-97	4	TF8.STP01
300B	High & Reverse (0.50mm Oversize)	90-ON	AR	TF8.STP02
301C	Forward (Rear) (136mm ID x 1.72mm x 12T)	90-ON	3-4	TF8.STP01
301C	Forward (0.50mm Oversize)	90-ON	AR	TF8.STP02
302H	Overdrive Brake (A518) (127.6mm ID x 1.72mm x 12T)	90-ON	5	A518.STP01
303K	Overdrive Direct A518 (119mm ID x 1.75mm x 12T)	90-ON	7-8	A518.STP02
303K	Overdrive Direct A618 (119mm ID x 1.75mm x 12T)	To-97	7-8	A518.STP02
303K	Overdrive Direct A618 (119mm ID x 1.35mm x 12T)	98-ON	9	A518.STP03

CHRYSLER A518 (46RH, 46RE) A618 (47RH, 47RE, 48RE)

4 Speed RWD & 4WD (Hydraulic & Electronic Control)



AUTOMATIC CHOICE



THE AUTOMATIC TRANSMISSION PARTS WAREHOUSE

ILL NO.	DESCRIPTION	YEARS	QTY	PART NO
PRESSURE PLATES				
400B	Pressure Plate (Outer) Forward Clutch.....	90-ON	1	TF8.PP01
401C	Pressure Plate (Inner) Forward Clutch.....	90-ON	1	TF8.PP02
402C	Pressure Plate (Outer) High & Reverse Clutch.....	90-ON	1	TF8.PP01
403H	Pressure Plate Overdrive (127mm ID x 5.46mm Thick).....	90-ON	1	A518.PP04
403H	Pressure Plate Overdrive (127mm ID x 9.55mm Thick).....	90-ON	1	A518.PP01
404K	Pressure Plate O. D. Direct (Stepped 118.77mm ID).....	90-ON	1	A518.PP03
404K	Pressure Plate O. D. Direct (No External Tabs).....	90-ON	1	A518.PP02
SPRINGS & CIRCLIPS				
Kit	Circlip Set (OD Section Only) ...	90-ON	1	A518.CIR02
410C	Diaphragm Spring (1.88mm).....	90-ON	1	TF8.DIA01
411H	Coil Spring Overdrive Clutch.....	90-ON	1	A518.SPR02
431B	Circlip, Retaining Top & Rev Clutch (1.52mm Thick)	90-ON	AR	TF8.CIR04
	(1.60mm Thick)	90-ON	1	TF8.CIR05
	(1.879mm Thick)	90-ON	AR	TF8.CIR01
	(2.235mm Thick)	90-ON	AR	TF8.CIR02
	(2.692mm Thick)	90-ON	AR	TF8.CIR03
433C	Circlip, Retaining Forward Clutch (1.52mm Thick)	90-ON	AR	TF8.CIR04
	(1.60mm Thick)	90-ON	1	TF8.CIR05
	(1.879mm Thick)	90-ON	AR	TF8.CIR01
	(2.235mm Thick)	90-ON	AR	TF8.CIR02
	(2.692mm Thick)	90-ON	AR	TF8.CIR03
441H	Circlip, Overdrive Brake (Waved) ..	90-ON	1	A500.CIR01
444K	Circlip - O.D. Direct Retaining... ..	90-ON	1	A518.CIR01
NI	3-4 Accumulator Spring (3.05mm Wire Size)	90-ON	1	A518.SPR01
NI	3-4 Accumulator Spring (Sonnax)	90-ON	1	A518.SPR03
FILTERS				
450F	Large One Hole (Dacron).....	90-97	1	TF8.FIL01
450F	Large One Hole (Brass).....	90-97	1	TF8.FIL03
450F	Plastic Filter (A518/A618).....	98-ON	1	A518.FIL01
NI	Overdrive Piston Ret Filter.....	92-ON	1	A518.FIL02
BANDS				
500B	Intermediate Flex (A518, A618) (53mm Wide Raybestos)	92-ON	1	TF8.BAN04
500B	Intermediate Flex (48RE) (High Performance).....	03-ON	1	TF8.BAN06
501E	Low/Reverse (Use With 152.40mm OD Drum)..	90-91	1	A518.BAN01
501E	Low/Reverse (157.50mm OD Drum)	91-ON	1	A518.BAN02
501E	Low/Reverse Multi Wrap (A618, 47RH).....	94-ON	1	A518.BAN03

ILL NO.	DESCRIPTION	YEARS	QTY	PART NO
BUSHES				
Kit	Bush Kit.....	94-ON	1	A518.BK01
Kit	Bush Kit Overdrive Only.....	90-ON	1	A500.BK01
550A	Front Pump	90-ON	1	TF8.BUS01
551A	Stator Support (Rear).....	90-ON	1	TF8.BUS05
551A	Stator Support (31.75mm I.D.)	94-ON	1	TF8.BUS07
551A	Stator Support (Sonnax®) (31.75mm I.D.)	94-ON	1	A618.BUS02
552B	High/Rev Drum (Wide).....	90-ON	1	TF8.BUS02
553C	Input Shaft.....	90-ON	1	TF8.BUS08
554D	Sun Gear Bushing (Front).....	90-ON	1	TF8.BUS06
555D	Sun Gear Bushing (Rear)	90-ON	1	TF8.BUS06
557G	Ext. Housing (A618/48RE).....	03-ON	1	A618.BUS03
558H	O.D. Sun gear (W/Flange Front) ..	90-ON	1	A500.BUS07
559H	O.D. Sun gear (Rear).....	90-ON	1	A500.BUS06
560K	OD Output Shaft Pilot	90-ON	1	A518.BUS01
NI	Plastic Bushing for Front Steel Planet (A518 9.398mm)....	90-ON	1	A518.BUS02
NI	Plastic Bushing for Front Steel Planet (A518 7.62mm).....	90-ON	1	A518.BUS03
THRUST WASHERS & BEARINGS				
Kit	Thrust Washer Kit	90-ON	1	A518.TK03
Kit	Bearing Kit	90-ON	1	A500.TWK02
Kit	OD Spring Ret & Torrington Kit (Sonnax)	90-ON	1	A500.TK01
Kit	Shim Kit Overdrive.....	90-ON	1	A518.TK04
600A	Selective Front Pump (1.09mm).....	90-ON	AR	TF8.THW12
	(1.55mm).....	90-ON	AR	TF8.THW09
	(2.06mm).....	90-ON	AR	TF8.THW01
	(2.59mm).....	90-ON	AR	TF8.THW02
602D	Output Shaft Race A518 (33mm OD x 8.90mm ID).....	90-ON	1	TF6.TOR01
603D	Thrust Washer Output Shaft (3 Ext Tabs 1.32mm Thick)	90-ON	1	TF6.THW06
603D	Thrust Washer Output Shaft (3 Ext Tabs 1.727mm Thick)	90-ON	1	TF6.THW07
603D	Thrust Washer Output Shaft (3 Ext Tabs 2.108mm Thick)	90-ON	1	TF6.THW08
604D	Thrust Washer Front & Rear Planet (4 Tabs)	90-ON	2	TF8.THW08
604D	Thrust Washer Front Planet (5 Tabs A618)	94-02	1	TF8.THW03
604D	Thrust Washer Front Planet (6 Tabs A618/48RE)	03-ON	1	A618.THW01
605D	Thrust Washer Planet to Sun Shell (6 Tabs Small Washer A618)	96-03	1	TF8.THW11
607D	Thrust Washer Rear Planet (6 Tabs, Wide A618/48RE)	03-ON	1	A618.THW02
607D	Thrust Washer Rear Planet PTFE-coated (6 Tabs, Wide A618/48RE) (Sonnax® Click Here for Info)... ..	03-ON	1	A618.THW04
609E	Thrust Washer (Rear Band Drum to Ring Gear).....	92-ON	1	A518.THW01
610H	Thrust Plate Selective OD (3.94mm Thick)	90-ON	1	A518.THW13
	(4.27mm - 4.32mm Thick).....	90-ON	1	A518.THW07
	(4.65mm - 4.70mm Thick).....	90-ON	1	A518.THW08
	(5.03mm - 5.08mm Thick).....	88-ON	1	A518.THW09
	(5.41mm - 5.46mm Thick).....	90-ON	1	A518.THW10
	(5.80mm Thick).....	90-ON	1	A518.THW15
	(6.17mm Thick).....	90-ON	1	A518.THW16
611H	Thrust Plate & Bearing Assy	90-ON	1	A518.THW04

CHRYSLER A518 (46RH, 46RE) A618 (47RH, 47RE, 48RE)

4 Speed RWD & 4WD (Hydraulic & Electronic Control)



AUTOMATIC CHOICE



THE AUTOMATIC TRANSMISSION PARTS WAREHOUSE

ILL NO.	DESCRIPTION	YEARS	QTY	PART NO
THRUST WASHERS & BEARINGS Cont...				
612K	Spacer Ring (Selective) (4.01mm).....	90-ON	1	A500.THW06
	(4.45mm).....	90-ON	1	A500.THW05
	(4.90mm).....	90-ON	1	A500.THW04
653H	Bearing Direct Hub to Piston (97.64mm OD)	90-ON	1	TF6.TOR02
654K	Bearing OD Cam to O.Shaft	90-ON	1	TF6.TOR03
655K	Output Shaft Bearing Front (110mm OD)	90-ON	1	A518.THW02
656K	Output Shaft Bearing Rear (72.40mm OD)	90-ON	1	A518.THW03
656K	Bearing Output Shaft Rear (34.93mm ID).....	90-ON	1	A518.THW03
	(31.24mm ID).....	90-ON	1	A518.THW12
NI	Bearing to Extension Housing A618, 48RE Repair Washer (Click for Info)....	93-ON	1	A618THW03
ELECTRICAL COMPONENTS				
Kit	External Harness Repair (8 Pin) (A518).....	90-ON	1	A518.ELE03
700E	Neutral Safety Switch (3 Prong Late Short Type).....	90-ON	1	TF8.INH01
700E	Neutral Safety Switch (3 Prong Early Long Type)	90-ON	1	TF8.INH02
700E	Neutral Safety Switch (A518/618, 5 Prong).....	01-ON	1	TF8.INH04
701F	Solenoid L/ Up & 4th (2 Solenoid/3 Prong)	90-95	1	A518.SOL01
701F	Solenoid L/ Up & 4th (2 Solenoids) (Round / 8 Pin Connector)	96-99	1	A518.SOL06
NI	Solenoid 4th Gear only No L/UP (1Solenoid/2 Prong) ...	90-95	1	A518.SOL05
702F	Solenoid Governor Pressure (2 Prong Connector)	96-ON	1	A518.SOL03
702F	Solenoid Governor Pressure (Aftermarket) (2 Prong White Connector)	96-ON	1	A518.SOL09
701F	Solenoid L/ Up & 4th (2 Solenoids) (Round / 8 Pin Connector)	00-ON	1	A518.SOL08
NI	Solenoid Upgrade Kit (2 Sol with Gov Press Sensor)..	90-95	1	A518.SOL04
703F	Governor Pressure Sensor (3 Pin)	93-ON	1	A518.ELE01
703F	Governor Pressure Sensor (4 Pin)	96-99	1	A518.ELE02
703F	Governor Pressure Sensor (4 Pin Black Plastic Type Includes Temp Sensor)	00-ON	1	A518.SOL07
NI	Input Speed Sensor	90-ON	1	A604.ELE02
704G	Output Speed Sensor	90-ON	1	A604.ELE01
VALVE BODY PARTS				
750F	Valve Body, Rebuilt (A518 Various) (Details Required).....	90-ON	1	A518.VBxx
Kit	Shift Kit (Transgo® Junior) (A518, A618)	90-02	1	A500.SK01
Kit	Shift Kit (Transgo® Junior) (Diesel A518, A618)	90-03	1	A518.SK01
Kit	Shift Kit (Transgo® Junior) (Diesel A618 (48RE)).....	03-ON	1	A618.SK01
Kit	Shift Kit (Heavy Duty & High Performance) (A518, A618)	90-02	1	A518.SK03
Kit	Superior UV Shift Kit (A518).....	90-ON	1	A500.SK02

ILL NO.	DESCRIPTION	YEARS	QTY	PART NO
VALVE BODY PARTS Cont...				
Kit	Throttle Valve Kit (Sonnax®).....	90-ON	1	TF8.VA01
Kit	Oversize Solenoid Switch Valve Plug Kit (Requires A518.VA06 Reamer) (Sonnax® Click Here for Info) ...	90-ON	1	A518.VA05
Kit	Reamer for A518.VA05 (Sonnax®).....	90-ON	1	A518.VA06
Kit	Governor Bore Plug Kit (Sonnax® Click Here for Info) ...	90-ON	1	TF8.VA05
Kit	Oversized Throttle Valve Kit (Updated) (Requires Tool Kit TF8.VA09 & Valve Body Fixture AG4.VA05) (Sonnax® Click Here for Info) ...	90-ON	1	TF8.VA08
Kit	Tool Kit for TF8.VA08 (Sonnax®).....	90-ON	1	TF8.VA09
NI	4 Spooled Switch Valve Direct Replacement (Sonnax® Click Here for Info) ...	90-ON	1	A518.VA01
NI	4 Spooled Switch Valve Direct Oversized (Requires Tool A500.VA04) (Sonnax® Click Here for Info) ...	90-ON	1	A500.VA03
NI	Toolkit for A500.VA03 (Sonnax®).....	90-ON	1	A500.VA04
NI	Manual Valve (Sonnax®).....	90-ON	1	TF8.VA03
NI	Pressure Regulator Valve TF8 & A518 (Sonnax®).....	90-ON	1	TF8.VA04
NI	Plate, Universal Valve Body to Case w/o Lock-up Boost Tube ..	90-ON	1	A518.VB01
NI	Plate, Universal Valve Body to Case, w/ Lock-up Boost Tube ...	90-ON	1	A518.VB02
Kit	Oversized Pressure Regulator Valve (Requires A518.TOOL02 Tool Kit & AG4.VA05 Valve Body Reaming Fixture) (Sonnax® Click Here for Info) ...	90-ON	1	A518.VA04
Kit	Oversized Lube Regulated PR Valve & Line/TV Pressure Plug (Requires A518.TOOL02 Tool Kit & AG4.VA05 Valve Body Reaming Fixture) (Sonnax® Click Here for Info) ...	90-ON	1	A518.VA07
Kit	Tool Kit for A518.VA04 & A518.VA07 (Sonnax® Click Here for Info) ...	90-ON	1	A518.TOOL02
Kit	Line Pressure Plug & Sleeve Kit (6.70mm Dia) (Sonnax® Click Here for Info) ...	90-ON	1	A518.VA03
Kit	Throttle Valve Kit (Sonnax® Click Here for Info) ...	90-ON	1	TF8.VA11
Kit	Neutral Safety Back-up Insulator (Sonnax® Click here for Info) ...	90-02	1	A500.VA02
Kit	Neutral Safety Back-up Insulator (Sonnax® Click here for Info) ...	01-ON	1	A500.VA05
Kit	Valve Body Detent Ball & Sleeve Kit Requires Tool A518.VA09 (Sonnax® Click here for Info) ...	90-ON	1	A518.VA08
Kit	Toolkit for A518.VA08.....	90-ON	AR	A518.VA09
HARD PARTS				
Kit	Accumulator Repair Kit (Sonnax® Click Here for Info) ...	90-ON	1	TF8.ACC01
800A	Pump Assy Lock Up (With 31mm Turbine Rings)	90-ON	1	TF8.PUM02
800A	Pump Assy Non Lock Up (31mm Turb Rings 1 Ring On Forward Clutch Drum).....	90-ON	1	TF8.PUM05
800A	Pump Assy Non Lock Up (31mm Turb Rings 1 Ring On Forward Clutch Drum 10 Lobe)	90-ON	1	TF8.PUM07

CHRYSLER A518 (46RH, 46RE) A618 (47RH, 47RE, 48RE)

4 Speed RWD & 4WD (Hydraulic & Electronic Control)



AUTOMATIC CHOICE



THE AUTOMATIC TRANSMISSION PARTS WAREHOUSE

ILL NO.	DESCRIPTION	YEARS	QTY	PART NO
HARD PARTS Cont...				
800A	Pump Assy Non Lock Up (31mm Turb Rings 1 Ring On Forward Clutch Drum 11 Lobe). 90-ON		1	TF8.PUM08
800A	Pump Assy Lock Up (31.75mm Turbine Rings) 94-ON		1	TF8.PUM03
800A	Pump Assy Non Lock Up (31.75mm Turb Rings 1 Ring On Forward Clutch Drum)..... 94-ON		1	TF8.PUM06
800A	Pump Assy Lock Up (A618/48RE) (10 Lobe Inner Gear) 03-ON		1	TF8.PUM10
801A	Pump Gear Set (.747" Thick) 90-ON		1	TF8.PUM01
801A	Pump Gear Set (12 Lobe Outer, 11 Lobe Inner). 90-ON		1	A518.PUM02
803B	High Reverse Clutch Drum (4 Plate Wide Bushing) 90-ON		1	TF8.DRU02
803B	High Reverse Clutch Drum (A618 48RE) (5 Plate Retos 3 & 4 Clutch) 03-ON		1	A518.DRU14
805B	Piston Spring & Retainer (Rear Clutch)..... 90-ON		1	TF8.SPR01
806C	Input Shaft, 23 spline (A618/47/48RE)..... 94-ON		1	A618.SH02
807C	Hub, Direct Clutch (A618/48RE) 03-ON		1	A618.HUB01
808C	Rear Clutch Diaphragm Spacer 90-ON		1	TF8.SP01
809D	Front Planet 3 Pin 90-95		1	TF8.PL03
809D	Front Planet 5 Pin Steel (A518 / A618) 94-95		1	A518.PL01
809D	Front Planet 5 Pin Aluminium (A518 / A618) 94-95		1	A518.PL02
810D	Ring Gear Front Planet..... 65-95		1	TF8.PL05
NI	Planetary, Sun & Ring Gear Set Overdrive (5 Pinoin Late Pitch) A518 90-ON		1	A518.PLK04
813D	Sun Gear & Shell Assy (3 Tab Washer Type)..... 90-95		1	TF8.POT01
813D	Sun Gear & Shell Assy (A518/618) (6 Tab Washer Type)..... 94-02		1	TF8.POT02
814D	Rear Planet 3 Pin..... 65-95		1	TF8.PL06
814D	Rear Planet 4 Pin..... 68-95		1	TF8.PL02
814D	Rear Planet 6 Pin (TF8, A518) (For Small Washer)..... 90-03		1	TF8.PL08
814D	Rear Planet 6 Pin Steel (A618) (For Wide Washer)..... 03-ON		1	A518.PL12
815D	Ring Gear Rear Planet..... 90-02		1	TF8.PL07
816E	Reverse Drum 727/A518 (12 Roller 152.40mm OD)..... 90-ON		1	TF8.DRU01
816E	Reverse Drum 727/A518 (14 Roller 157.50mm OD)..... 91-92		1	A518.DRU04
816E	Reverse Drum 727/A518 (14 Roller 157.50mm OD) (Washer Type)..... 93-ON		1	A518.DRU05
817E	Low OWC Spring & Roller Kit ... 90		1	TF8.OWC02
817E	Low OWC Roller Clutch Kit (Plastic Cage 14 Element) 91-ON		1	A518.OWC01
818E	Low OWC Inner Race 90		1	TF8.OWC03
818E	Low OWC Inner Race Sonnax (Slide On Type 46RH/RE)..... 90-ON		1	A518.OWC03
818E	Low OWC Inner Race Sonnax (Press On Type TF8) 90		1	A518.OWC04
821E	Low OWC Bolt in Cam Kit (14 Roller) 91-ON		1	TF8.OWC05
821E	Low OWC Bolt in Cam Kit (12 Roller) 90		1	TF8.OWC01
821E	Low OWC Bolt in Cam Kit (14 Roller) 91-ON		1	A518.OWC05
823E	Output Support (4 Bolt) TF8 90-ON		1	TF8.SUP01
823E	Output Support (6 Bolt) TF8 (2 Groove for Washer) 90-ON		1	TF8.SUP04

ILL NO.	DESCRIPTION	YEARS	QTY	PART NO
HARD PARTS Cont...				
825E	Governor Assembly (Large Valve 25.45mm OD) 90-ON		1	TF8.GOV01
826E	Output Shft 4WD (419.10mm) .. 90-ON		1	TF8.SH02
826E	Intermediate Shaft (A518)..... 90-ON		1	A518.SH01
826E	Intermediate Shaft, (A618/47/48RE) 94-ON		1	A618.SH01
NI	Extension Shaft (Range Rover) All		1	TF8.SH01
NI	Strut Assy Reverse Band..... 90-ON		1	TF8.STR01
829F	Front Servo Piston Cover (Sonnax@ Click Here for Info) ... 90-ON		1	TF8.SER05
831F	1-2 Accumulator Assembly (Plastic) 90-ON		1	TF8.SER04
832F	Rear Servo Piston Turned Billet (Sonnax) 90-ON		1	TF8.SER01
832F	Rear Servo (Superior® Super Servo) 71.42mm Dia. This newly designed piston is much wider and uses a Teflon support ring along with lip seal to create a completely stable piston. This piston will not flip in the bore. 90-ON		1	A518.SER01
832F	Rear Servo Piston A618 (62.48mm OD) 94-ON		1	TF8.SER03
833F	Reverse Servo Piston Plug Kit (Sonnax@ Click Here for Info)... 90-ON		1	TF8.SER06
834F	Oil Pan, Deep Mag-Hytec Finned Aluminum 90-ON		1	TF8.PAN01
835G	Overdrive Housing (A518) (2WD Without Speed Sensor)... 90-ON		1	A518.HO01
836H	Overdrive Piston Housing (Two Slot With Gov Holes)..... 90-ON		1	A518.DRU07
836H	Overdrive Piston Housing (Without Gov Holes)..... 96-ON		1	A518.DRU06
836H	Overdrive Piston Housing (Sonnax@ Universal, Requires Machining) (Click Here for Information) 90-ON		1	A518.DRU12
837H	Piston (Overdrive) A518 90-ON		1	A518.PIS01
840K	Overdrive Planetary (5 Pinion W/ 15° Pitch) A518 94-ON		1	A518.PL06
840K	Overdrive Planetary (5 Pinion W/ 22° Pitch) A518 90-93		1	A518.PL07
840K	Overdrive Planetary (4 Pinion W/ 22° Pitch) A518 90-93		1	A518.PL03
841K	One Way Clutch Inner Cam (Overdrive) A518 90-ON		1	A518.OWC06
842K	One Way Clutch Spring & Roller Kit (Overdrive) A518 91-ON		1	A518.OWC02
843K	Drum,Overdrive Clutch (6 Plate Type)..... 90-ON		1	A518.DRU10
843K	Drum,Overdrive Clutch (8 Plate Type)..... 90-ON		1	A518.DRU11
844K	Overdrive Ring Gear (With 22° Pitch) A518 90-93		1	A518.PL04
844K	Overdrive Ring Gear (With 15° Pitch) A518 94-ON		1	A518.PL05
845K	Planetary Kit Overdrive (4 Pinion Late Pitch) A518 90-ON		1	A518.PLK02
845K	Planetary Kit Overdrive (5 Pinion Late Pitch) A518 90-ON		1	A518.PLK03
845K	Planetary Kit Overdrive Without Bearings (5 Pinion Late Pitch) A518 90-ON		1	A518.PLK05
846K	Output Shaft 2WD A518 (Without Gov Drive Slot) 90-ON		1	A518.SH02
846K	Output Shaft 4WD A518 (279.40mm O. D. Housing With Long Spline) 90-ON		1	A518.SH03
849K	Output Shaft 4WD A518 (229.235mm Long With 36.40mm Key Slot) 90-ON		1	A518.SH04

CHRYSLER A518 (46RH, 46RE) A618 (47RH, 47RE, 48RE)

4 Speed RWD & 4WD (Hydraulic & Electronic Control)



AUTOMATIC CHOICE



THE AUTOMATIC TRANSMISSION PARTS WAREHOUSE

ILL NO.	DESCRIPTION	YEARS	QTY	PART NO
SPECIAL ITEMS				
902B	Anchor, Intermediate Band (Heavy Duty "Power Wedge")...	90-ON	1	TF8.STR04
NI	Drive Plate 279.40mm Conveter (Unevenly Spaced Crank Holes)		1	TF8.FP01
NI	Drive Plate 279.40mm Conveter (Evenly Spaced Crank Holes)...		1	TF8.FP02
NI	Drive Plate 304.80mm Conveter (Unevenly Spaced Crank Holes)		1	TF8.FP03
NI	Drive Plate 304.80mm Conveter (Evenly Spaced Crank Holes)...		1	TF8.FP04
NI	Shim Kit Rear Planet End Play (10)		1	TF8.THW06
NI	Input Shaft Pilot & Endplug Kit..	90-ON	1	A518.VA02
NI	Bearing to Extension Housing A618, 48RE Repair Washer (Click for Info)...	93-ON	1	A618THW03
TOOLS & MANUALS				
NI	ATSG Manual (A500, A518)	90-ON	1	A518.MAN01
NI	ATSG Manual (46/47/48RE)	96-ON	1	A518.MAN02
NI	A518 Spragg Insallation Tool	90-ON		A518.TOOL01
<p>Click here to view special tools for this transmission</p>				

ILL NO.	DESCRIPTION	YEARS	QTY	PART NO
---------	-------------	-------	-----	---------