

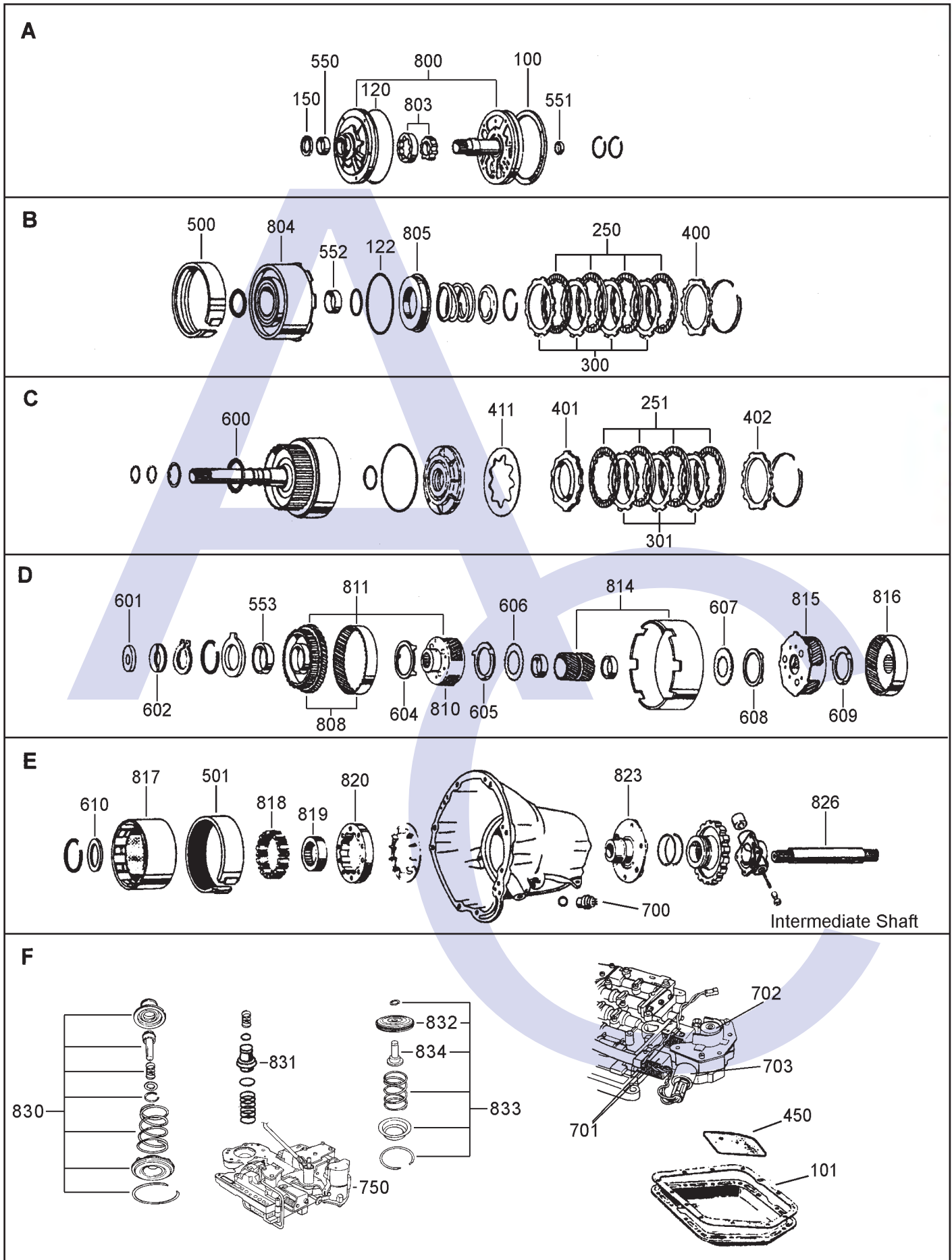
CHRYSLER A500 (40RH, 42RH, 40RE, 42RE, 44RE) 4 SPEED RWD & 4WD (Hydraulic & Electronic Control)



AUTOMATIC CHOICE



THE AUTOMATIC TRANSMISSION PARTS WAREHOUSE



CHRYSLER A500 (40RH, 42RH, 40RE, 42RE, 44RE) 4 SPEED RWD & 4WD (Hydraulic & Electronic Control)

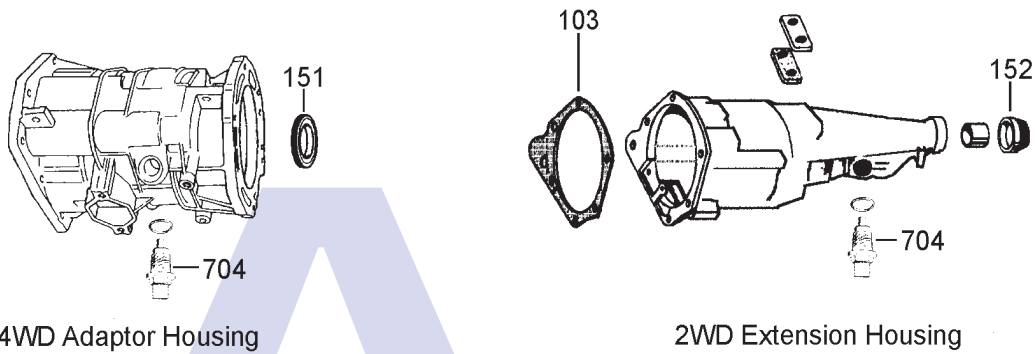


AUTOMATIC CHOICE



THE AUTOMATIC TRANSMISSION PARTS WAREHOUSE

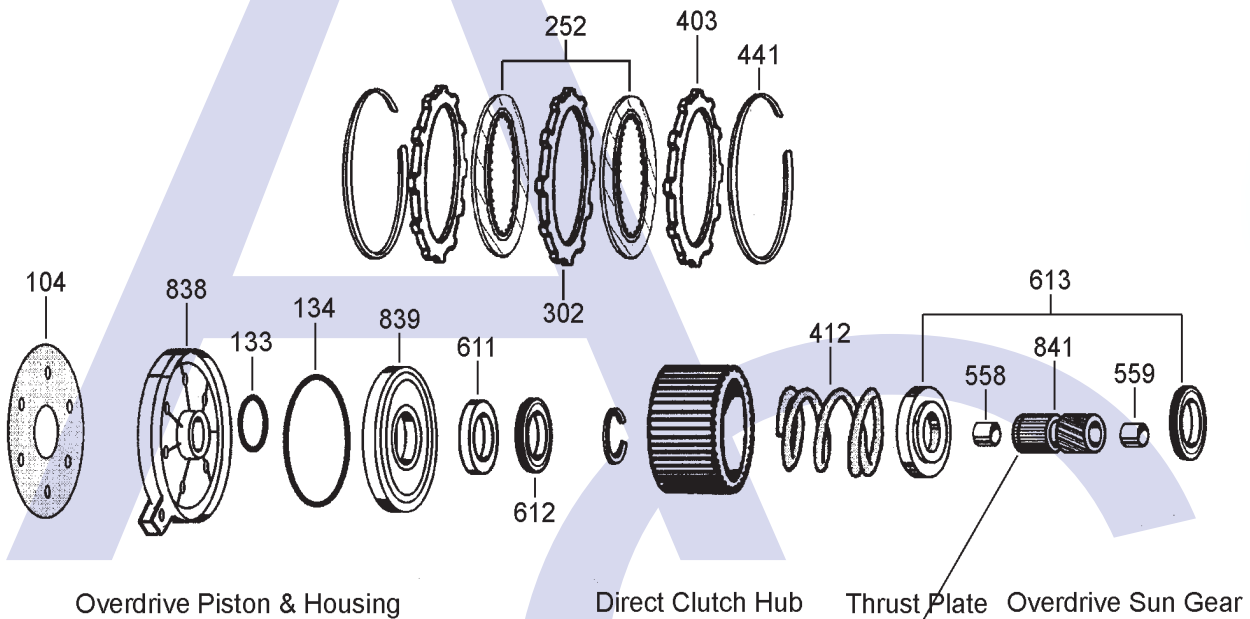
G



4WD Adaptor Housing

2WD Extension Housing

H



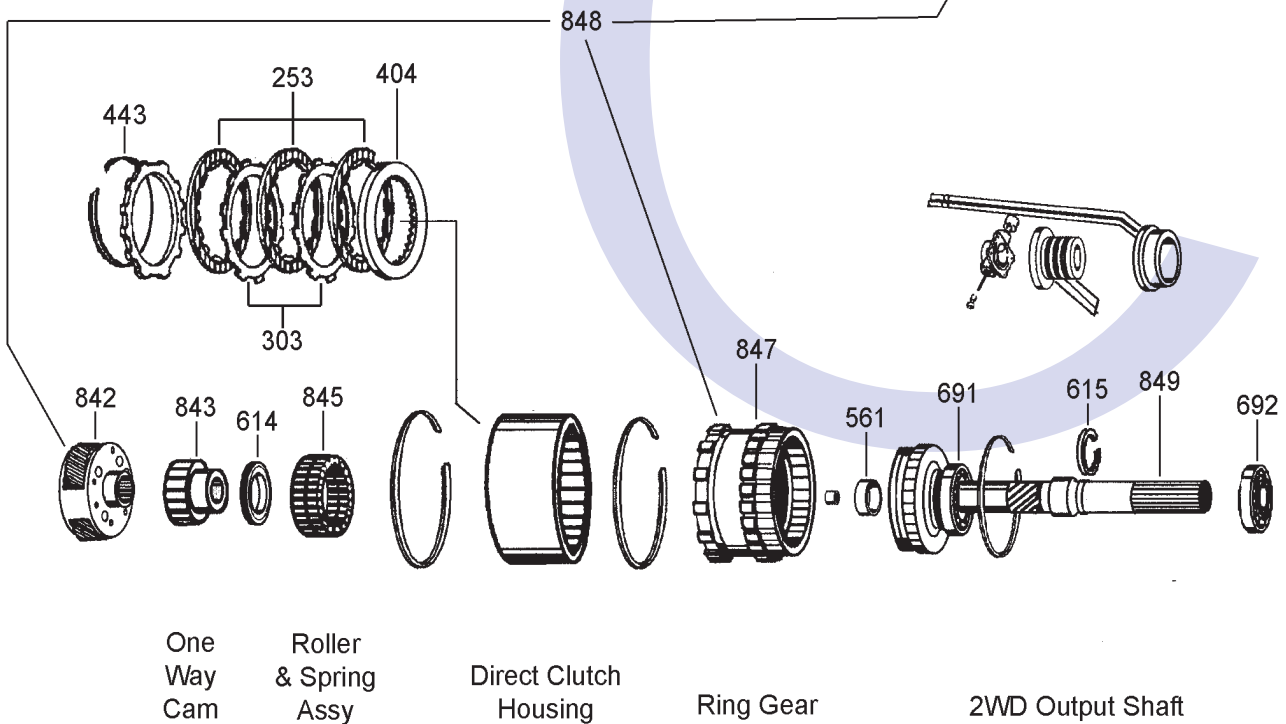
Overdrive Piston & Housing

Direct Clutch Hub

Thrust Plate

Overdrive Sun Gear

K



One Way Cam

Roller & Spring Assy

Direct Clutch Housing

Ring Gear

2WD Output Shaft

CHRYSLER A500 (40RH, 42RH, 40RE, 42RE, 44RE) 4 SPEED RWD & 4WD (Hydraulic & Electronic Control)



AUTOMATIC CHOICE



THE AUTOMATIC TRANSMISSION PARTS WAREHOUSE

ILL NO.	DESCRIPTION	YEARS	QTY	PART NO
KITS				
Kit	Overhaul Kit (Transtec) (A500, 42RH, 42RE)	89-ON	1	A500.OHK01
Kit	Overhaul Kit (Precision) (A500, 42RH, 42RE)	89-ON	1	A500.OHK51
Kit	Overhaul Kit (Precision) (A500, 42RE, 44RE)	99-ON	1	A500.OHK52
Kit	Super Kit (A500)	92-ON	1	A500.SOHK01
Kit	Sonnax Sure Cure Kit (A500) ...	92-ON	1	A500.SCK01
GASKETS				
100A	Front Pump	89-ON	1	TF6.GAS02
101F	Pan Gasket	89-ON	1	TF6.GAS01
101F	Pan Gasket (Moulded Rubber) ..	89-04	1	TF6.GAS11
103G	Ext Housing to Case (With Centre Removed)	89-ON	1	A500.GAS03
104H	O. D. Housing to Case	89-ON	1	A500.GAS04
NI	O.D. & TCC Solenoid to Valve Body	89-ON	1	A518.GAS04
NI	Washer, Pump Bolt	89-ON	7	TH180.WA01
RUBBER COMPONENTS				
120A	Pump Outer Lathe Cut Seal.....	89-ON	1	TF6.OR01
122B	Outer Lip Seal (Front / Direct Drum)	99-ON	1	A500.LIP01
133H	Inner Lip Seal Overdrive Clutch Piston	89-ON	1	A500.OR01
134H	Outer Lip Seal Overdrive Clutch Piston	89-ON	1	A500.OR02
NI	Lip Seal, Throttle Lever Shaft ...	89-ON	1	TF6.MCS06
NI	Boot, Filler Tube.....	97-ON	1	A518.OR01
METAL CLAD SEALS				
150A	Front Pump	89-ON	1	TF6.MCS01
151G	Adaptor Housing 4WD (TF6/A500 65.28mm OD)	89-ON	1	TF6.MCS04
151G	Adaptor Housing 4WD (TF6/A500 68.30mm OD)	89-ON	1	TF8.MCS10
152G	Ext. Housing No Boot (63.88mm x 42mm).....	89-ON	1	TH400.MCS02
152G	Extension Housing With Boot (63.80mm OD x 42.00mm ID)...	89-ON	1	TF8.MCS02
NI	Manual Control Shaft	89-ON	1	TF8.MCS04
SEALING RINGS				
Kit	Sealing Ring Kit	89-ON	1	A500.SRK01
Kit	1-2 Accumulator Kit (Viton 'D' Rings)	89-04	1	TF6.SRK02
FRICTION PLATES				
Kit	Friction Plate.....	88-ON	1	A500.FRK01
Kit	Friction Plate (Alto)	88-ON	1	A500.FRK51
Kit	Friction Plate (40RH Only) (Alto)	89-ON	1	A500.FRK52
Kit	Friction Plate (Overdrive) (Alto, High Performance)	89-ON	1	A518.FRK65

ILL NO.	DESCRIPTION	YEARS	QTY	PART NO
FRICTION PLATES Cont...				
250B	High & Reverse (Front) (125.5mm OD x 2.18mm x 45T)	89-ON	3-5	TF6.FRP01
250B	High & Reverse (High Performance) (125.5mm OD x 2.18mm x 45T)	89-ON	3-5	TF6.FRP52
251C	Forward (Rear) (125.5mm OD x 1.55mm x 45T)	89-ON	3-4	TF6.FRP02
251C	Forward (High Performance) (125.5mm OD x 1.55mm x 45T)	89-ON	3-4	TF6.FRP53
251C	Forward (Rear Parallel Lines) (Alto) (125.5mm OD x 1.55mm x 45T)	89-ON	3-4	A500.FRP51
252H	Overdrive Brake (154mm OD x 2.20mm x 54T) ..	89-ON	2-5	A518.FRP02
252H	Overdrive Brake (Raybestos) (154mm OD x 2.20mm x 54T) ..	89-ON	2-5	A518.FRP07
253K	Overdrive Direct (140mm OD x 1.60mm x 54T) ..	89-ON	6-8	A518.FRP03
STEEL PLATES				
Kit	Steel Plate.....	89-ON	1	A500.STK01
Kit	Steel Plate (Alto).....	89-ON	1	A500.STK51
Kit	Steel Plate (40RH Only) (Alto) ..	89-ON	1	A500.STK52
300B	High & Reverse (Front) (100mm ID x 1.72mm x 12T)	89-ON	4-5	TF6.STP01
300B	High & Reverse (Front) (V Notched Teeth) (100mm ID x 2.18mm x 12T)	99-ON	1	TF6.STP03
300B	High & Reverse (Front) (100mm ID x 2.24mm x 12T)	89-ON	4-5	TF6.STP02
301C	Forward (Rear) (100mm ID x 1.72mm x 12T)	89-ON	2-4	TF6.STP01
301C	Forward (Rear) (100mm ID x 2.24mm x 12T)	89-ON	2-4	TF6.STP02
302H	Overdrive Brake (128mm ID x 1.72mm x 12T)	89-ON	2-3	A518.STP01
303K	Overdrive Direct (119mm ID x 1.75mm x 12T)	89-ON	5-7	A518.STP02
303K	Overdrive Direct (119mm ID x 1.35mm x 12T)	98-ON	AR	A518.STP03
PRESSURE PLATES				
400B	Pressure Plate Front/Direct.....	89-ON	1	TF6.PP01
401C	Pressure Plate Rear/Fwd (Inner)	89-ON	1	TF6.PP02
402C	Pressure Plate Rear/Fwd (Outer).....	89-ON	1	TF6.PP01
403H	Pressure Plate Overdrive (127mm ID x 5.46mm Thick).....	89-ON	1	A518.PP04
PRESSURE PLATES Cont...				
403H	Pressure Plate Overdrive (127mm ID x 9.55mm Thick).....	88-ON	1	A518.PP01
404K	Pressure Plate O. D. Direct (Stepped 118.77mm ID).....	88-ON	1	A518.PP03
404K	Pressure Plate O. D. Direct (No External Tabs)	89-ON	1	A518.PP02

CHRYSLER A500 (40RH, 42RH, 40RE, 42RE, 44RE) 4 SPEED RWD & 4WD (Hydraulic & Electronic Control)



AUTOMATIC CHOICE



THE AUTOMATIC TRANSMISSION PARTS WAREHOUSE

ILL NO.	DESCRIPTION	YEARS	QTY	PART NO
SPRINGS & CIRCLIPS				
Kit	Circlip Set (OD Section Only) ...	89-ON	1	A518.CIR02
411C	Rear Clutch Diaphragm (FWD)	89-ON	1	TF6.DIA01
412H	Coil Spring Overdrive Clutch.....	89-ON	1	A518.SPR02
441H	Circlip, Overdrive Brake (Waved)	89-ON	1	A500.CIR01
443K	Circlip - O.D. Direct Retaining...	89-ON	1	A518.CIR01
NI	3-4 Accumulator Spring (3.05mm Wire Size)	89-ON	1	A518.SPR01
NI	3-4 Accumulator Spring (Sonnax)	89-ON	1	A518.SPR03
FILTERS				
450F	Large One Hole (Dacron).....	88-97	1	TF8.FIL01
450F	Large One Hole (Brass).....	88-97	1	TF8.FIL03
450F	Filter (Plastic).....	98-ON	1	A518.FIL01
NI	Overdrive Piston Ret Filter.....	92-ON	1	A518.FIL02
BANDS				
500B	Front Band (Flex Type) (Wide 41mm)	92-ON	1	TF6.BAN05
500B	Front Band (Flex Type) (Except 360 Engine)	88-91	1	TF6.BAN02
500B	Front Band (Solid) (Except 360 Engine)	88-91	1	TF6.BAN03
500B	Front Band (Offset Lugs)	88-ON	1	TF6.BAN04
501E	Rear Band (Split)	88-ON	1	TF6.BAN06
BUSHINGS				
Kit	Bush Kit Overdrive Only.....	88-ON	1	A500.BK01
Kit	Bush Kit Complete	88-ON	1	A500.BK02
550A	Pump Bush (*).....	88-ON	1	TF6.BUS01*
550A	Pump Body Bush (Sonnax) (Pack of 5).....	88-ON	AR	TF6.BUS10
551A	StatorSupport Shaft (Rear) (22.35mm ID x 14mm Long)	88-ON	1	TF6.BUS02
552B	Front Clutch Retainer.....	88-ON	1	TF6.BUS04
552B	Front Drum (Rear) (Two Bushing Type)	94-ON	1	A500.BUS03
NI	Front Drum (Front) (Two Bushing Type)	94-ON	1	A500.BUS04
553D	Front Ring gear	88-ON	1	TF6.BUS06
556G	Extension Bush	88-ON	1	TF6.BUS03
558H	O.D. Sun gear (W/Flange Front)	88-ON	1	A500.BUS07
559H	O.D. Sun gear (Rear).....	88-ON	1	A500.BUS06
561K	Output Shft 15.37mm ID	88-ON	1	A500.BUS05
* Can use BW55.BUS01				
THRUST WASHERS & BEARINGS				
Kit	Thrust Washer Kit	88-ON	1	A500.TWK01
Kit	Bearing Kit	88-ON	1	A500.TWK02
Kit	OD Spring Ret & Torrington Kit (Sonnax)	88-ON	1	A500.TK01
Kit	Shim Kit Overdrive	88-ON	1	A518.TK04
NI	Bearing to Extension Housing 42RE Repair Washer (Click for Info)...	93-ON	1	A618THW03
600C	Thrust Washer (Fibre) Front Clutch to Rear Clutch	88-ON	1	TF6.THW01
601D	Output Shaft Race A500 (33mm OD x 8.90mm ID).....	88-ON	1	TF6.TOR01

ILL NO.	DESCRIPTION	YEARS	QTY	PART NO
THRUST WASHERS & BEARINGS Cont...				
602D	Thrust Washer Output Shaft (3 Ext Tabs 1.32mm Thick)	88-ON	1	TF6.THW06
602D	Thrust Washer Output Shaft (3 Ext Tabs 1.727mm Thick)	88-ON	1	TF6.THW07
602D	Thrust Washer Output Shaft (3 Ext Tabs 2.108mm Thick)	88-ON	1	TF6.THW08
604D	Thrust Washer Front of Front Planet (4 Tang 8 Cyl 66.70mm ID) Wide Ratio	88-ON	1	TF6.THW02
605D	Thrust Washer Rear of Front Planet (4 Tang 8 Cyl 66.70mm ID) Wide Ratio	88-ON	1	TF6.THW02
606D	Driving Shell Thrust Plate	88-ON	2	TF6.THW03
608D	Thrust Washer Front of Rear Planet (4 Tang 8 Cyl 66.70mm ID) Wide Ratio	88-ON	1	TF6.THW02
609D	Thrust Washer Rear of Rear Planet (4 Tang 8 Cyl 66.70mm ID) Wide Ratio	88-ON	1	TF6.THW02
610E	Thrust Washer Rear Drum to Snap Ring (A500)	88-ON	1	TF6.THW10
611H	Thrust Plate Selective OD A500 (3.94mm Thick).....	88-ON	1	A518.THW13
611H	Thrust Plate Selective OD A500 (4.27mm - 4.32mm Thick).....	88-ON	1	A518.THW07
611H	Thrust Plate Selective OD A500 (4.65mm - 4.70mm Thick).....	88-ON	1	A518.THW08
611H	Thrust Plate Selective OD A500 (5.03mm - 5.08mm Thick).....	88-ON	1	A518.THW09
611H	Thrust Plate Selective OD A500 (5.41mm - 5.46mm Thick).....	88-ON	1	A518.THW10
611H	Thrust Plate Selective OD A500 (5.80mm Thick).....	88-ON	1	A518.THW15
611H	Thrust Plate Selective OD A500 (6.17mm Thick).....	88-ON	1	A518.THW16
612H	Bearing Direct Hub to Piston (97.64mm OD) A500	88-ON	1	TF6.TOR02
613H	Thrust Plate & Bearing Assy	88-ON	1	A518.THW04
614K	Bearing OD Cam to O.Shaft (A500)	88-ON	1	TF6.TOR03
615K	Spacer Ring A500 (Selective) (4.01mm).....	88-ON	1	A500.THW06
615K	Spacer Ring A500 (Selective) (4.45mm).....	88-ON	1	A500.THW05
615K	Spacer Ring A500 (Selective) (4.90mm).....	88-ON	1	A500.THW04
691K	Output Shaft Bearing Front (110mm OD)	88-ON	1	A518.THW02
692K	Output Shaft Bearing Rear (72.40mm OD)	88-ON	1	A518.THW03
ELECTRICAL COMPONENTS				
Kit	External Harness Repair (8 Pin)	88-ON	1	A518.ELE03
700E	Neutral Safety Switch (3 Prong Short)	88-ON	1	TF8.INH01
701F	Solenoid L/ Up & 4th (2 Solenoid/3 Prong)	88-95	1	A518.SOL01
701F	Solenoid L/ Up & 4th (2 Solenoids) (Round / 8 Pin Connector)	96-99	1	A518.SOL06
NI	Solenoid 4th Gear only No L/UP (1Solenoid/2 Prong) ...	88-95	1	A518.SOL05
702F	Solenoid Governor Pressure (2 Prong Connector)	93-04	1	A518.SOL03
702F	Solenoid Governor Pressure (Aftermarket) (2 Prong White Connector)	93-04	1	A518.SOL09

CHRYSLER A500 (40RH, 42RH, 40RE, 42RE, 44RE) 4 SPEED RWD & 4WD (Hydraulic & Electronic Control)



AUTOMATIC CHOICE



THE AUTOMATIC TRANSMISSION PARTS WAREHOUSE

ILL NO.	DESCRIPTION	YEARS	QTY	PART NO
ELECTRICAL COMPONENTS Cont...				
701F	Solenoid L/ Up & 4th (2 Solenoids) (Rectangular / 8 Pin Connector) 00-ON		1	A518.SOL08
NI	Solenoid Upgrade Kit (2 Sol with Gov Press Sensor).. 88-95		1	A518.SOL04
703F	Governor Pressure Sensor (3 Pin)	93-95	1	A518.ELE01
703F	Governor Pressure Sensor (4 Pin)	96-99	1	A518.ELE02
703F	Governor Pressure Sensor (4 Pin Black Plastic Type Includes Temp Sensor)	00-ON	1	A518.SOL07
704G	Output Speed Sensor	88-ON	1	A604.ELE01
NI	Input Speed Sensor	88-ON	1	A604.ELE02
VALVE BODY PARTS				
750F	Valve Body Assembly Rebuilt (Various) (Vehicle Details Required)	88-ON	1	A500.VBxx
Kit	Junior Shift Kit.....	88-ON	1	A500.SK01
Kit	Superior UV Shift Kit.....	88-ON	1	A500.SK02
Kit	Oversize Solenoid Switch Valve Plug Kit (Requires A518.VA06 Reamer) (Sonnax® Click Here for Info) ...	88-ON	1	A518.VA05
NI	Reamer for A518.VA05 (Sonnax®).....	88-ON	1	A518.VA06
Kit	Governor Bore Plug Kit (Sonnax® Click Here for Info) ...	88-ON	1	TF8.VA05
Kit	Oversized Throttle Valve Kit (Updated) (Requires Tool Kit TF8.VA09 & Valve Body Fixture AG4.VA05) (Sonnax® Click Here for Info) ...	88-ON	1	TF8.VA08
NI	Tool Kit for TF8.VA08 (Sonnax®).....	88-ON	1	TF8.VA09
NI	Plate, Universal Valve Body To Case, w/o Lock-up Boost Tube ..	88-94	1	A500.VB01
NI	Plate, Universal Valve Body To Case, w/ Lock-up Boost Tube ...	95-ON	1	A500.VB02
NI	Throttle Valve Kit (Sonnax)	88-ON	1	TF8.VA01
NI	Manual Valve (Sonnax)	88-ON	1	TF8.VA03
NI	Pressure Regulator Vave (Sonnax)	88-ON	1	TF8.VA04
NI	4 Spooled Switch Valve Direct Replacement (Sonnax® Click Here for Info) ...	88-ON	1	A518.VA01
NI	4 Spooled Switch Valve Direct Oversized (Requires Tool A500.VA04) (Sonnax® Click Here for Info) ...	88-ON	1	A500.VA03
NI	Toolkit for A500.VA03 (Sonnax®).....	88-ON	1	A500.VA04
NI	Oversized Pressure Regulator Valve (Requires A518.TOOL02 Tool Kit & AG4.VA05 Valve Body Reaming Fixture) (Sonnax® Click Here for Info) ...	88-ON	1	A518.VA04
NI	Tool Kit for A518.VA04 (Sonnax®).....	88-ON	1	A518.TOOL02
NI	Line Pressure Plug & Sleeve Kit (42RE 6.70mm Dia) (Sonnax® Click Here for Info) ...	93-ON	1	A518.VA03
Kit	Throttle Valve Kit (Sonnax® Click Here for Info) ...	88-ON	1	TF8.VA11
Kit	Neutral Safety Back-up Insulator (Sonnax® Click here for Info) ...	88-02	1	A500.VA02
Kit	Neutral Safety Back-up Insulator (Sonnax® Click here for Info) ...	01-ON	1	A500.VA05
Kit	Valve Body Detent Ball & Sleeve Kit Requires Tool A518.VA09 (Sonnax® Click here for Info) ...	88-ON	1	A518.VA08
Kit	Toolkit for A518.VA08.....	88-ON	AR	A518.VA09

ILL NO.	DESCRIPTION	YEARS	QTY	PART NO
HARD PARTS				
Kit	Accumulator Repair Kit (Sonnax® Click Here for Info) ...	88-ON	1	TF8.ACC01
800A	Pump Assy Lock Up Front Drum With 2 Bushings	88-ON	1	A500.PUM01
800A	Pump Assy Lock Up (Lug Drive Gear 1 Bush Drum ..	88-ON	1	TF6.PUM03
800A	Pump Assy Non Lock Up (2 Bush Drum Extra Sump Passage).....	95-ON	1	TF6.PUM04
800A	Pump Assy Lock Up (2 Bush Drum Extra Sump Passage).....	95-ON	1	TF6.PUM05
800A	Pump Assy Lock Up (2 Bush Drum, 14 Hole Gasket)	95-ON	1	TF6.PUM08
803A	Pump Gear Kit (18.974mm Thick)	88-ON	1	TF6.PUM06
803A	Pump Gear Kit (12 Lobe) (2xMilled Flats on Inner Gear) ..	88-ON	1	TF6.PUM07
804B	Drum Front/Direct (5 Plate) (159.76mm Max Width).....	88-ON	1	A500.DRU01
804B	Drum Front/Direct (5 Plate) (With Two Bushings)	88-ON	1	A500.DRU02
804B	Drum Front/Direct (5 Plate) (Lip Seals in Drum)	98-04	1	A500.DRU06
805B	Piston Front/Direct Drum (One Bushing Type)	88-ON	1	TF6.PIS01
808D	Front Ring Gear (111.60mm OD) (Use With TF6.PL05)	88-ON	1	TF6.PL06
810D	Front Planetary 4 Pinion Steel (For 111.60mm OD Ring Gear) ..	88-ON	1	TF6.PL05
811D	Front Planetary W/Ring Gear (Wide Ratio)	88-ON	1	TF6.PL01
814D	Drive Shell & Sun Gear (159.77mm OD Wide Ratio).....	92-ON	1	A500.POT01
815D	Rear Planetary 3 Pinion Steel...	88-ON	1	TF6.PL02
816D	Ring Gear-Rear Planetary	88-ON	1	TF6.PL03
817E	Reverse Band Drum (W/ Washer Step Down)	88-89	1	A500.DRU03
817E	Reverse Band Drum	90-04	1	A500.DRU07
818E	Spring & Roller Kit Rear OWC ..	88-ON	1	TF6.OWC03
819E	Inner Race, Low OWC	88-ON	1	TF6.OWC02
820E	Low One Way Cam (Case Repair Bolt in Type).....	88-ON	1	TF6.OWC01
823E	Output Shaft Support (Gov Distributor Sleeve 6 Bolt) ..	88-ON	1	TF6.SUP01
826E	Output / Intermediate Shaft.....	88-89	1	A500.SH01
826E	Output / Intermediate Shaft.....	90-ON	1	A500.SH02
830F	Front Servo Assembly.....	88-ON	1	TH6.SER04
831F	1-2 Accumulator Piston	88-ON	1	TF6.SER02
832F	Rear Servo Piston (62.64mm) ..	88-ON	1	TF6.SER01
832F	Rear Servo (Superior® Super Servo) 64.67mm Dia. This newly designed piston is much wider and uses a Teflon support ring along with lip seal to create a completely stable piston. This piston will not flip in the bore.	88-ON	1	A500.SER01
833F	Rear Servo Assembly	88-ON	1	TF6.SER03
834F	Reverse Servo Piston Plug Kit (Sonnax® Click Here for Info) ...	88-ON	1	TF8.SER06
838H	OD Piston Housing (W/O Gov Feed Holes) A500/42RE	93-ON	1	A500.DRU04
839H	Piston (Overdrive) A500.....	88-ON	1	A518.PIS01
841H	Overdrive Sun Gear (22° Pitch) (Early Pitched Gears).....	88-93	1	A500.SUN01
842K	Overdrive Planetary (4 Pinion W/ 22° Pitch) A500.....	88-93	1	A518.PL03

CHRYSLER A500 (40RH, 42RH, 40RE, 42RE, 44RE) 4 SPEED RWD & 4WD (Hydraulic & Electronic Control)



AUTOMATIC CHOICE



THE AUTOMATIC TRANSMISSION PARTS WAREHOUSE

ILL NO.	DESCRIPTION	YEARS	QTY	PART NO
HARD PARTS CONT...				
842K	Overdrive Planetary (5 Pinion W/ 15° Pitch) A500.....	94-ON	1	A518.PL06
842K	Overdrive Planetary (5 Pinion W/ 22° Pitch) A500.....	88-93	1	A518.PL07
843K	One Way Clutch Inner Cam (Overdrive) A500.....	88-ON	1	A518.OWC06
845K	One Way Clutch Spring & Roller Kit (Overdrive) A500.....	88-ON	1	A518.OWC02
847K	Overdrive Ring Gear (With 22° Pitch) A500	88-93	1	A518.PL04
847K	Overdrive Ring Gear (With 15° Pitch) A500	94-ON	1	A518.PL05
848K	Planetary Kit Overdrive (4 Pinion Late Pitch) A500	88-ON	1	A518.PLK02
848K	Planetary Kit Overdrive (5 Pinion Late Pitch) A500	88-ON	1	A518.PLK03
848K	Planetary Kit Overdrive Without Bearings (5 Pinion Late Pitch) A500	88-ON	1	A518.PLK05
848K	Planetary Kit Overdrive (5 Pinion Late Pitch) A500	94-ON	1	A518.PLK04
849K	Output Shaft 4WD A500 (279.40mm O. D. Housing With Long Spline)	88-ON	1	A518.SH03
849K	Output Shaft 4WD A500 (229.235mm Long With 36.40mm Key Slot)	88-ON	1	A518.SH04
849K	Output Shaft 2WD A500 (Without Governor Drive Slot)...	90-ON	1	A518.SH02
NI	Strut, Front Band.....	88-ON	1	TF6.STR02
SPECIAL ITEMS				
NI	In. Shaft Pilot & Endplug Kit.....	88-ON	1	A518.VA02
NI	Bearing to Extension Housing 42RE Repair Washer (Click for Info)...	93-ON	1	A618THW03
TOOLS & MANUAL				
NI	ATSG Manual (A500/A518)	All	1	A518.MAN01
NI	ATSG Manual (A500SE/42RE). 93-ON		1	A500.MAN01
<p>Click here to view special tools for this transmission</p>				

ILL NO.	DESCRIPTION	YEARS	QTY	PART NO
---------	-------------	-------	-----	---------