

# HYUNDAI A4AF1/2, A4BF1/2 & F4A32-1 4 SPEED FWD With Lock Up (Electronic Control)

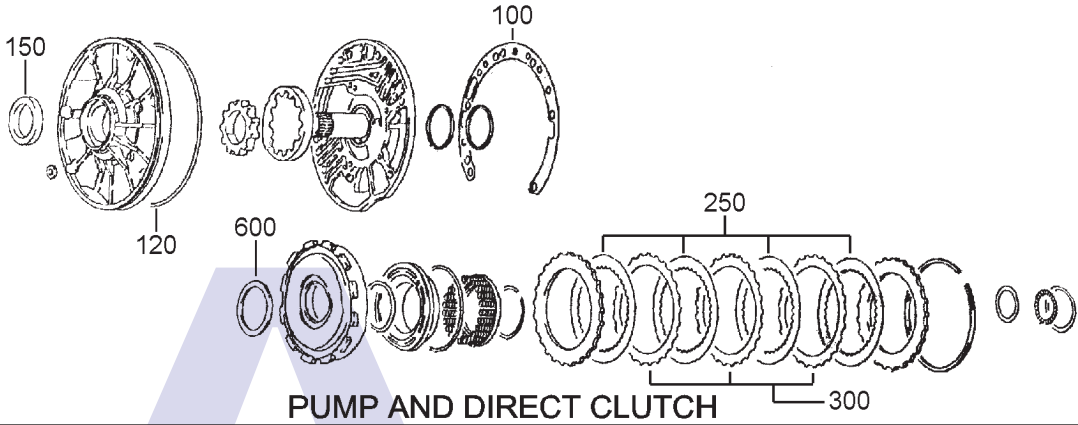


AUTOMATIC CHOICE

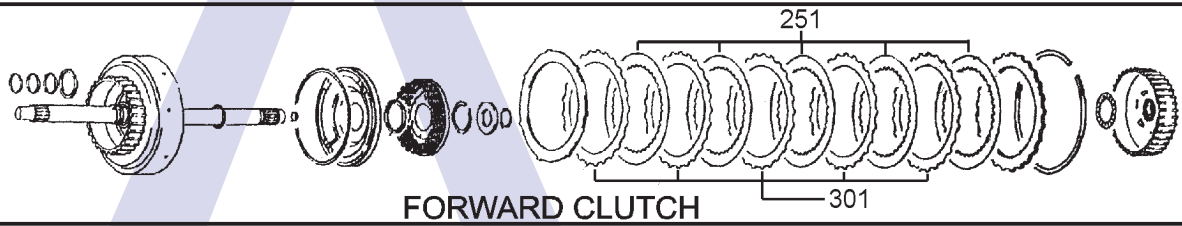


THE AUTOMATIC TRANSMISSION PARTS WAREHOUSE

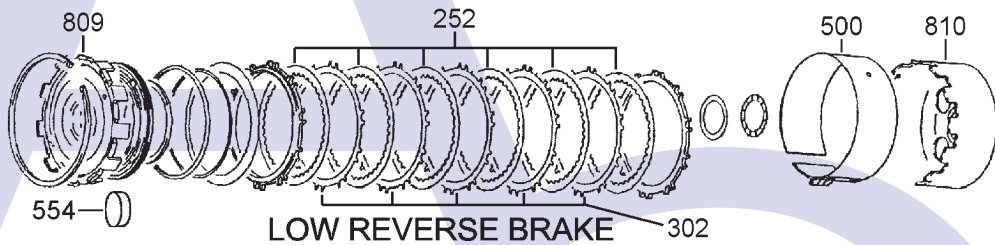
**A**



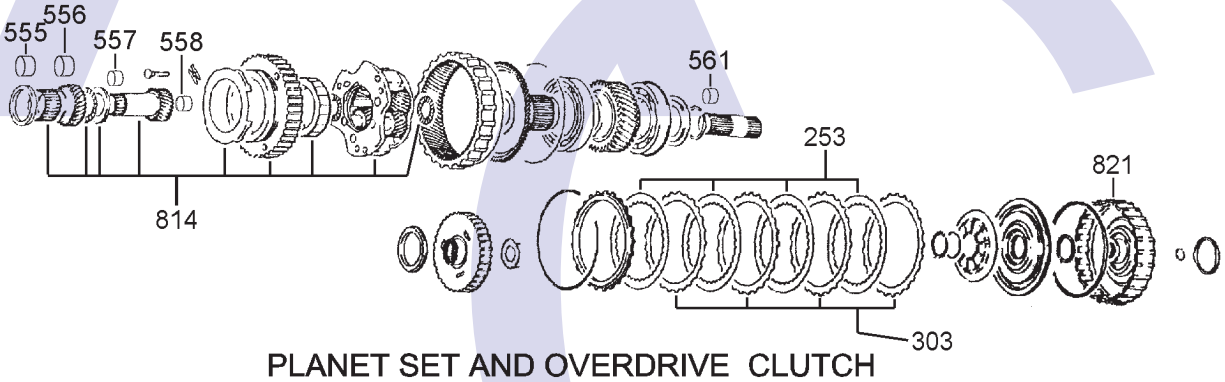
**B**



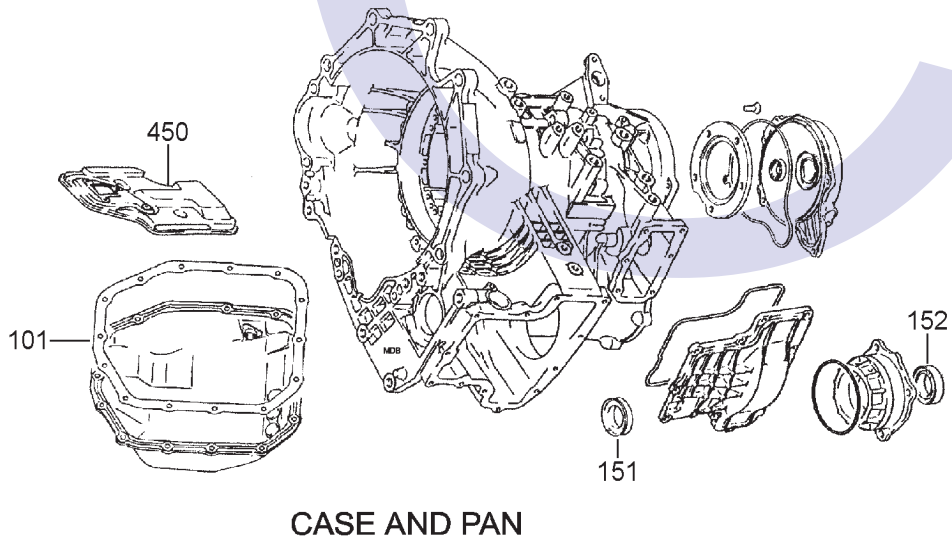
**C**



**D**



**E**



# HYUNDAI A4AF1/2, A4BF1/2 & F4A32-1 4 SPEED FWD With Lock Up (Electronic Control)



AUTOMATIC CHOICE



THE AUTOMATIC TRANSMISSION PARTS WAREHOUSE

ILL NO.	DESCRIPTION	YEARS	QTY	PART NO
<b>KITS</b>				
Kit	Overhaul A4AF1/2, A4BF1/2 Hyundai Scoupe (Transtec) .....	93-99	1	<b>KM177.OHK03</b>
Kit	Overhaul A4AF2, A4BF1 Hyundai Scoupe (Precision) .....	93-99	1	<b>A4AF.OHK51</b>
Kit	Overhaul A4AF2, A4BF1 (With Viton Clutch Seals) Hyundai Scoupe (Precision) .....	93-99	1	<b>A4AF.OHK52</b>
Kit	Overhaul Kit (OEM) Hyundai Getz (A4BF1).....	93-99	1	<b>KM177.OHK18</b>
Kit	Overhaul F4A32-1, A4AF-1 (Precision).....	93-99	1	<b>F4A32.OHK51</b>
<b>GASKETS</b>				
100A	Pump Gasket A4AF1/2 .....	93-ON	1	<b>KM177.GAS04</b>
101E	Pan Gasket A4AF1/2 .....	93-ON	1	<b>KM177.GAS05</b>
101E	Pan Gasket A4BF1 (Lantra).....	96-ON	1	<b>KM177.GAS06</b>
<b>RUBBER COMPONENTS</b>				
120A	Pump O Ring .....	91-ON	1	<b>KM170.OR01</b>
<b>METAL CLAD SEALS</b>				
150A	Front Pump Seal.....	91-ON	1	<b>KM170.MCS01</b>
151E	Drive Shaft Seal (Left Hand).....	91-ON	1	<b>KM170.MCS02</b>
152E	Drive Shaft Seal (Right Hand)...	91-ON	1	<b>KM170.MCS02</b>
<b>MOULDED PISTONS</b>				
<b>SEALING RINGS</b>				
Kit	Sealing Ring Kit (A4BF2/3).....	96-ON	1	<b>KM177.SRK02</b>
<b>FRICION PLATES</b>				
Kit	Friction Plate A4AF1 (Alto).....	93-ON	1	<b>A4AF.FRK51</b>
Kit	Friction Plate A4AF2, A4BF1, F4A32 (Alto) .....	96-ON	1	<b>A4AF.FRK52</b>
250A	Direct Friction (127 x 38T x 1.70mm Thick) .....	93-ON	4	<b>KM170.FRP12</b>
250A	Direct Friction (127 O.D. x 104 I.D. x 38T x 1.90mm Thick) .....	93-ON	4	<b>KM170.FRP04</b>
251B	Forward Friction (127 x 38T x 1.70mm Thick) .....	93-ON	4	<b>KM170.FRP12</b>
251B	Forward Friction (127 x 38T x 1.90mm Thick) .....	93-ON	4	<b>KM170.FRP04</b>
252C	Low/ Rev Friction (152 O.D. x 51T x 1.85mm) .....	93-ON	6	<b>KM170.FRP05</b>
253D	Overdrive Friction (123mm x 40T x 1.80mm).....	91-ON	3	<b>KM170.FRP06</b>
253D	Overdrive Friction A4BF3 (Alto) (123mm x 36T x 1.65mm).....	00-ON	3	<b>KM170.FRP13</b>
<b>Check sizes before ordering as variations may exist</b>				

ILL NO.	DESCRIPTION	YEARS	QTY	PART NO
<b>STEEL PLATES</b>				
Kit	Steel Plate A4AF1 (Alto) .....	93-ON	1	<b>A4AF.STK51</b>
Kit	Steel Plate A4AF2, A4BF1, F4A32 (Alto) .....	96-ON	1	<b>A4AF.STK52</b>
300A	Direct Steel (104.4 I.D. x 3.70mm x24T) .....	93-ON	3	<b>KM170.STP02</b>
300A	Direct Steel (104.4 I.D. x 3.00mm x24T) .....	93-ON	3	<b>KM170.STP06</b>
301B	Forward Steel (104.4 I.D. x 1.80mm x 24T) .....	93-ON	2	<b>KM170.STP04</b>
302C	Low & Reverse Brake (134mm ID x 1.00mm x 20T) ....	89-ON	5	<b>KM170.STP15</b>
302C	Low & Reverse Brake (134mm ID x 1.08mm x 20T) ....	89-ON	5	<b>KM170.STP16</b>
303D	Overdrive (105.7mm ID x 0.80mm x 25T) .	91-ON	3-4	<b>KM170.STP05</b>
303D	Overdrive A4BF3 (95.80mm ID x 4.00mm x 25T) .	00-ON	3-4	<b>KM170.STP20</b>
<b>Check sizes before ordering as variations may exist</b>				
<b>PRESSURE PLATES</b>				
<b>SPRINGS &amp; CIRCLIPS</b>				
<b>FILTERS</b>				
450E	Filter A4AF1/2, A4BF1 .....	93-ON	1	<b>KM177.FIL01</b>
450E	Filter (Hyundai S Coupe) .....	99-ON	1	<b>KM177.FIL02</b>
450E	Filter A4BF2/3 .....	99-03	1	<b>KM177.FIL03</b>
<b>Check with data sheet at start of section as variations may exist</b>				
<b>BANDS</b>				
500C	Band (44mm Wide).....	93-ON	1	<b>KM177.BAN01</b>
<b>BUSHINGS</b>				
554C	Centre Support (Narrow) (42.926mm ID) .....	93-ON	1	<b>KM175.BUS05</b>
555D	Reverse Sun Gear (Front) (28.00mm ID) .....	93-ON	1	<b>KM175.BUS04</b>
556D	Reverse Sun Gear (Rear) (28.00mm ID) .....	93-ON	1	<b>KM175.BUS04</b>
557D	Forward Sun gear Front (20.57mm ID) .....	93-ON	1	<b>KM175.BUS03</b>
558D	Forward Sun gear Rear (20.57mm ID) .....	93-ON	1	<b>KM175.BUS03</b>
561D	Overdrive Shaft (20.57mm ID) .....	93-ON	1	<b>KM175.BUS03</b>
NI	Pump .....	93-ON	1	<b>KM170.BUS01</b>

# HYUNDAI A4AF1/2, A4BF1/2 & F4A32-1 4 SPEED FWD With Lock Up (Electronic Control)



AUTOMATIC CHOICE



THE AUTOMATIC TRANSMISSION PARTS WAREHOUSE

ILL NO.	DESCRIPTION	YEARS	QTY	PART NO
<b>THRUST WASHERS &amp; BEARINGS</b>				
600A	Thrust WasherPump to Dir Clutch Drum Selective (3.00mm)		AR	<b>KM170.THW04</b>
600A	Thrust WasherPump to Dir Clutch Drum Selective (2.60mm)		AR	<b>KM170.THW01</b>
600A	Thrust WasherPump to Dir Clutch Drum Selective (2.20mm)		AR	<b>KM170.THW02</b>
600A	Thrust WasherPump to Dir Clutch Drum Selective (1.80mm)		AR	<b>KM170.THW03</b>
<b>ELECTRICAL COMPONENTS</b>				
NI	Solenoid Assembly (6 Sols) (Rostra).....	00-ON	1	<b>KM177.SOL04</b>
<b>VALVE BODY PARTS</b>				
<b>HARD PARTS</b>				
809C	Centre Support (37mm Tall) .....	91-ON	1	<b>KM177.SUP01</b>
809C	Centre Support (40mm Tall) .....	91-ON	1	<b>KM177.SUP02</b>
810C	Kickdown Drum (100mm Tall) (OEM) .....	91-ON	1	<b>KM177.POT01</b>
810C	Kickdown Drum (100mm Tall) (Aftermarket) .....	91-ON	1	<b>KM177.POT31</b>
814D	Planetary Assy (A4AF1/F2) (Accent).....	91-ON	1	<b>KM177.PL04</b>
821D	Drum, Overdrive (A4AF1/2) .....	91-ON	1	<b>KM177.DRU20</b>
821D	Drum, Overdrive (A4AF1/2) (23mm High) .....	91-ON	1	<b>KM177.DRU21</b>
<b>SPECIAL ITEMS</b>				
<b>TOOLS &amp; MANUALS</b>				
<p><a href="#">Click here to view special tools for this transmission</a></p>				

ILL NO.	DESCRIPTION	YEARS	QTY	PART NO
---------	-------------	-------	-----	---------