

ZF VT1-27T, (BMW Mini 2001-2006) ZF VT1-32A, (Rover 25, 45, MGF, MGTF, MGZR, MGZS)
 CVT FWD (Full Electronic Control)

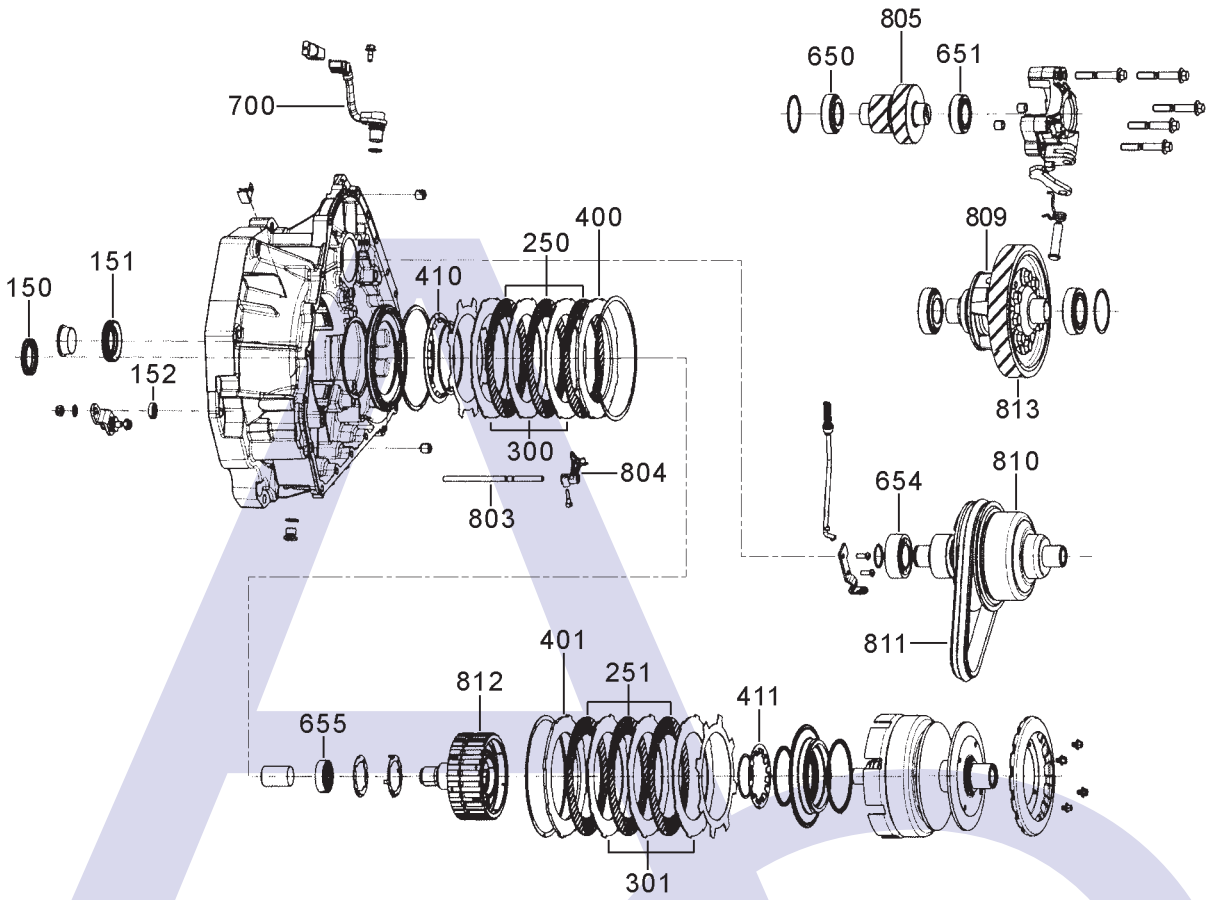


AUTOMATIC CHOICE

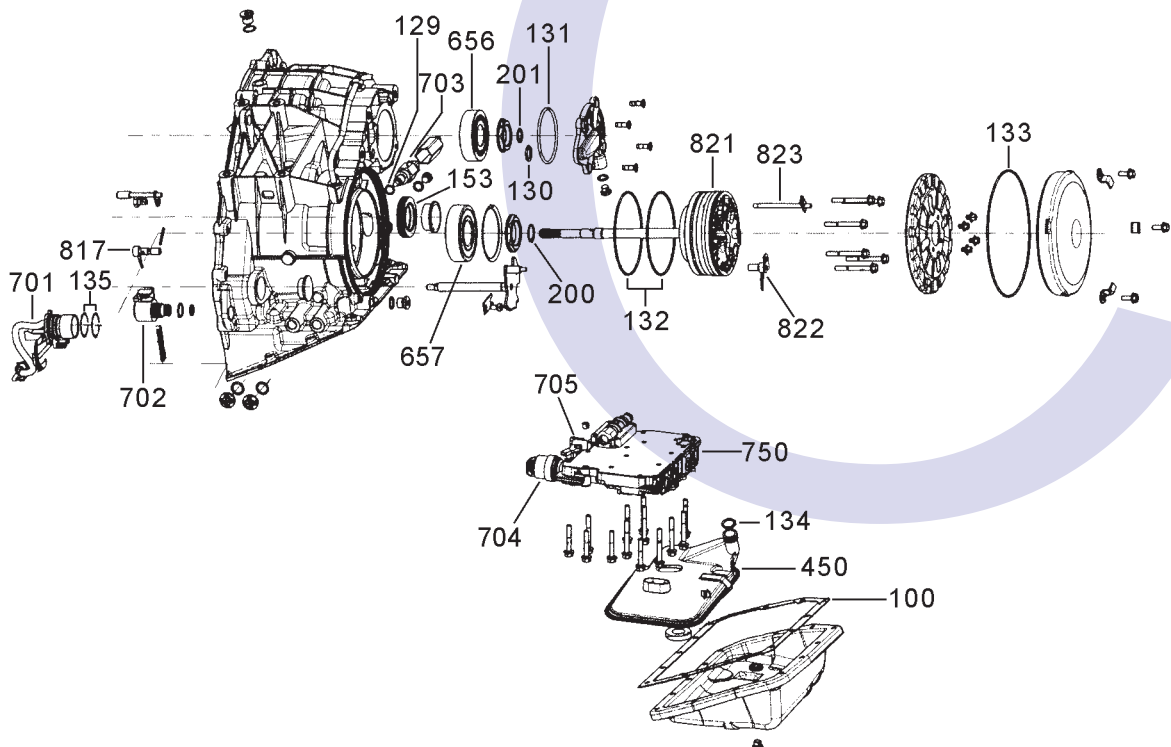


THE AUTOMATIC TRANSMISSION PARTS WAREHOUSE

A



B



ZF VT1-27T, (BMW Mini 2001-2006) ZF VT1-32A, (Rover 25, 45, MGF, MGTF, MGZR, MGZS) CVT FWD (Full Electronic Control)



AUTOMATIC CHOICE



THE AUTOMATIC TRANSMISSION PARTS WAREHOUSE

ILL NO.	DESCRIPTION	YEARS	QTY	PART NO
KITS				
Kit	Overhaul Kit (Rover 25.45, MGF, BMW Mini)	00-ON	1	CVT.OHK03
GASKETS				
100B	Oil Pan Gasket	00-ON	1	CVT.GAS01
RUBBER COMPONENTS				
Kit	O' Ring Kit	00-ON	1	CTX.ORK01
129B	Inhibitor Switch 'O' Ring	00-ON	1	CTX.OR12
130B	Secondary Cover 'O' Ring (Small)	00-ON	1	CTX.OR07
131B	Secondary Cover 'O' Ring (Large)	00-ON	1	CVT.OR01
132B	Pump O'Ring (Front & Rear)	00-ON	2	CTX.OR04
133B	Primary Cover O'Ring	00-ON	1	CTX.OR05
134B	Filter O'Ring	00-ON	1	CTX.OR09
135B	Valve Body Loom to Case	00-ON	2	5HP18.OR03
NI	Dipstick Tube to Case 'O' Ring	00-ON	1	CTX.OR08
NI	Dipstick to Tube 'O' Ring	00-ON	1	CTX.OR10
METAL CLAD SEALS				
150A	Input Shaft Seal	00-ON	1	CTX.MCS11
151A	Drive Shaft Seal (Right Hand)	00-ON	1	CVT.MCS12
152A	Selector Seal	00-ON	1	CTX.MCS13
153B	Drive Shaft Seal (Left Hand)	00-ON	1	CVT.MCS12
MOULDED PISTONS				
SEALING RINGS				
200B	Primary Shaft (Pump Nose, With Lug) (Rov 25/45, MGF & BMW Mini)	00-ON	1	CVT.SSR01
201B	Secondary Shaft (With Lug) (Rov 25/45, MGF & BMW Mini)	00-ON	1	CVT.SSR02
FRICITION PLATES				
Kit	Friction Plate (Alto)	03-ON	1	CVT.FRK52
250A	Reverse Friction	00-ON	3	CTX.FRP02
250A	Reverse Friction (Alto)	00-ON	3	CVT.FRP52
251A	Forward Friction	00-ON	3	CTX.FRP02
251A	Forward Friction (Alto)	00-ON	3	CVT.FRP52
STEEL PLATES				
Kit	Steel Plate (Alto)	03-ON	1	CVT.STK52
300A	Reverse Steel Plate	00-ON	3	CTX.STP02
301A	Forward Steel Plate	00-ON	3	CTX.STP02

ILL NO.	DESCRIPTION	YEARS	QTY	PART NO
PRESSURE PLATES				
400A	Reverse Pressure Plate	00-ON	1	CVT.PP01
401A	Forward Pressure Plate	00-ON	1	CVT.PP01
SPRINGS & CIRCLIPS				
410A	Rev Clutch Dia Spring	00-ON	1	CTX.DIA02
411A	Fwd Clutch Dia Spring	00-ON	1	CTX.DIA01
FILTERS				
450B	Pan Filter (Black Plastic) (Rover MG)	00-ON	1	CVT.FIL03
450B	Pan Filter (BMW Mini) (OEM)	00-ON	1	CVT.FIL04
450B	Pan Filter (BMW Mini) (Aftermarket)	00-ON	1	CVT.FIL14
BUSHINGS				
THRUST WASHERS & BEARINGS				
650A	Idler Gear Bearing R. Hand	00-ON	1	CTX.BE06
651A	Idler Gear Bearing L. Hand	00-ON	1	CTX.BE06
654A	Bearing Pinion	00-ON	1	CVT.BE01
655A	Bearing Input Shaft (Needle)	00-ON	1	CVT.BE02
656B	Bearing Secondary	00-ON	1	CTX.BE02
657B	Bearing Primary (Rov 25/45, MGF & BMW Mini)	00-ON	1	CVT.BE03
ELECTRICAL COMPONENTS				
700A	Speed Sensor (Rover MGF, 25/45)	00-ON	1	CVT.ELE02
700A	Speed Sensor (BMW Mini)	00-ON	1	CVT.ELE04
701B	Internal Valve Body Loom (Rover MGF, 25/45)	00-ON	1	CVT.ELE01
701B	Internal Valve Body Loom (BMW Mini)	00-ON	1	CVT.ELE03
702B	Secondary Pressure Solenoid (Fits in Main Case BMW Mini)	00-ON	1	CVT.SOL02
703B	Inhibitor Switch Rover (Square Connector)	00-ON	1	CVT.INH02
704B	Stepper Solenoid (25, 45, MG, Mini)	00-ON	1	CVT.SOL01
705B	Clutch Control Solenoid (Not available separately see 750B)	00-ON	1	CVT.SOL03
VALVE BODY PARTS				
750B	Valve Body Assembly, BMW Mini (OE) (Comes complete with Clutch Control Solenoid and Stepper Motor/ Actuator)	00-ON	1	CVT.VB04
750B	Valve Body Assembly, Rover, MG (OE) (Comes complete with Clutch Control Solenoid and Stepper Motor/ Actuator)	00-ON	1	CVT.VB05

ZF VT1-27T, (BMW Mini 2001-2006) ZF VT1-32A, (Rover 25, 45, MGF, MGTF, MGZR, MGZS) CVT FWD (Full Electronic Control)



AUTOMATIC CHOICE



THE AUTOMATIC TRANSMISSION PARTS WAREHOUSE

ILL NO.	DESCRIPTION	YEARS	QTY	PART NO
HARD PARTS				
803A	Ratio Sensor Shaft.....	00-ON	1	CVT.SH01
804A	Ratio Sensor Fork.....	00-ON	1	CVT.SEN01
805A	Idler Gear	00-ON	1	CVT.GE01
809A	Differential Assembly	00-ON	1	CVT.DIFF01
810A	Secondary Drum (Rebuilt) (MG, Rover)	00-ON	1	CVT.DRU03
810A	Secondary Drum (Rebuilt) (BMW Mini)	00-ON	1	CVT.DRU06
811A	Drive Belt)	00-ON	1	CTX.CH01
812A	Planetary Assembly (Except BMW Mini)	00-ON	1	CVT.PL01
812A	Planetary Assembly (BMW Mini)	00-ON	1	CVT.PL02
813A	Crown Wheel (Rover, MG, Mini)	00-ON	1	CVT.GE02
817B	Pitot Tube Primary	00-ON	1	CVT.TU01
821B	Pump Assembly (MGF, 25/45 & BMW Mini)	00-ON	1	CVT.PUM02
822B	Pitot Tube Engine.....	00-ON	1	CTX.TU03
823B	Belt Lubrication Tube	00-ON	1	CTX.TU02
NI	Engine Damper Plate.....	00-ON	1	CTX.DAM02
NI	Ball Bearing (5.90mm) (For Primary Sliding Shaft).....	00-ON	6	CTX.BALL01
NI	Ball Bearing (5.90mm) (For Secondary Sliding Shaft)...	00-ON	9	CTX.BALL01
SPECIAL ITEMS				
Unit	Factory Rebuilt Unit (BMW Mini)	01-ON	1	CVT.TRAN01
TOOLS & MANUALS				
NI	Oil Pump Remover Tool.....	00-ON	1	CTX.TOOL01
NI	Primary Drum Locking Tool.....	00-ON	1	CTX.TOOL02
NI	Secondary Drum Remover	00-ON	1	CTX.TOOL03
NI	Primary Drum Remover	00-ON	1	CTX.TOOL04
NI	Fwd Clutch Piston Guide	00-ON	1	CTX.TOOL05
NI	Rev Clutch Piston Guide.....	00-ON	1	CTX.TOOL06
NI	Valve Body Alignment Pins	00-ON	1	CTX.TOOL07
NI	Pressure Gauge 60 Bar	00-ON	1	CTX.TOOL08
NI	Pressure Gauge 0-10 Bar.....	00-ON	1	CTX.TOOL10
NI	Secondary Unit Puller	00-ON	1	CTX.TOOL09
NI	Piston Holding Clamp Control...	00-ON	1	CTX.TOOL12

ILL NO.	DESCRIPTION	YEARS	QTY	PART NO
---------	-------------	-------	-----	---------