

ZF 6HP32A 1070 020 xxx (VW)

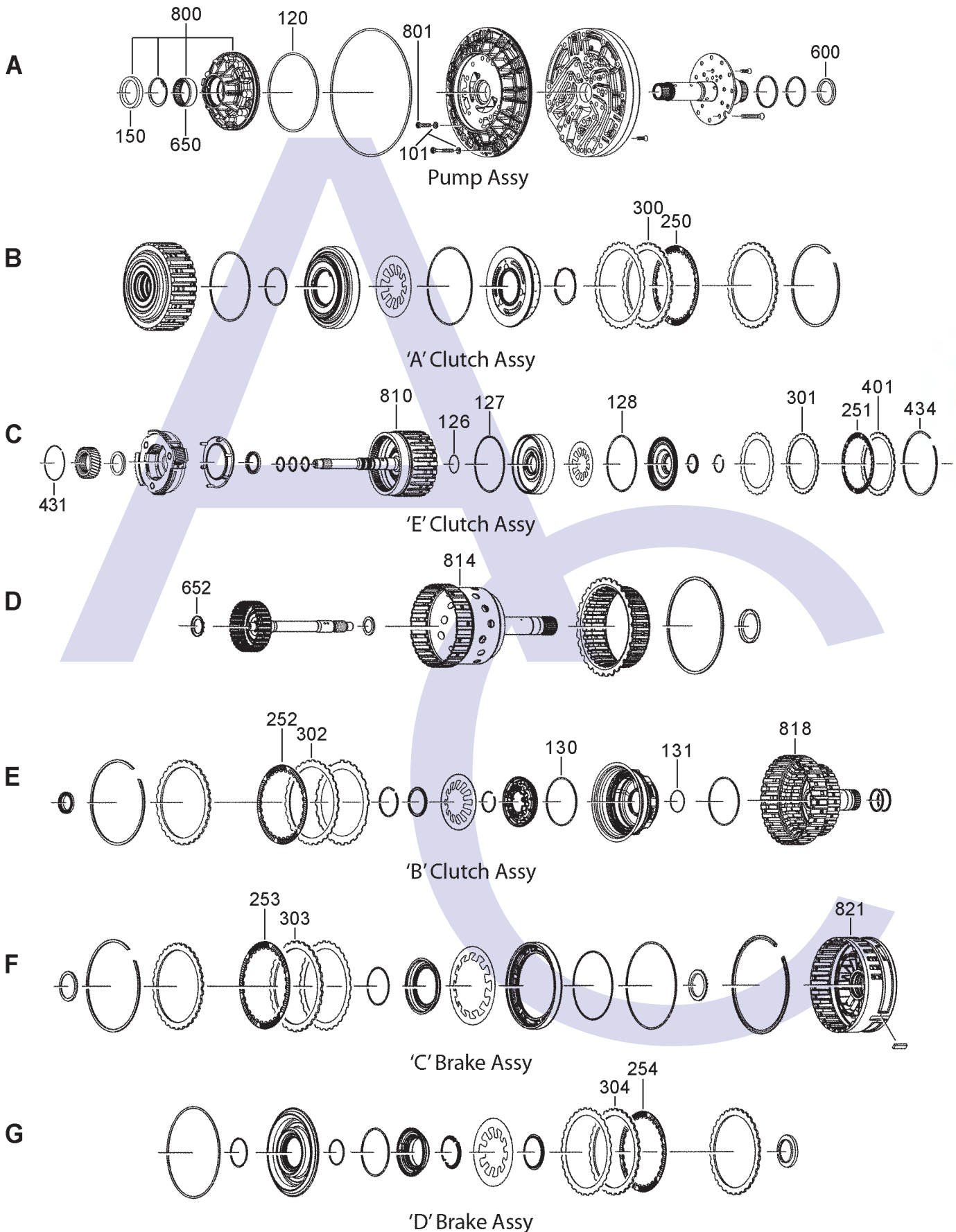
6 SPEED IN LINE FWD (Full Electronic Control)



AUTOMATIC CHOICE



THE AUTOMATIC TRANSMISSION PARTS WAREHOUSE



ZF 6HP32A 1070 020 xxx (VW)

6 SPEED IN LINE FWD (Full Electronic Control)

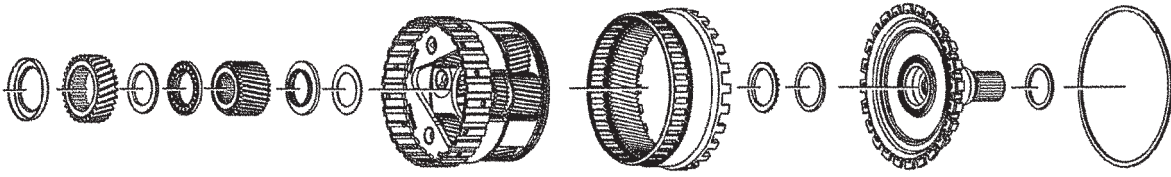


AUTOMATIC CHOICE



THE AUTOMATIC TRANSMISSION PARTS WAREHOUSE

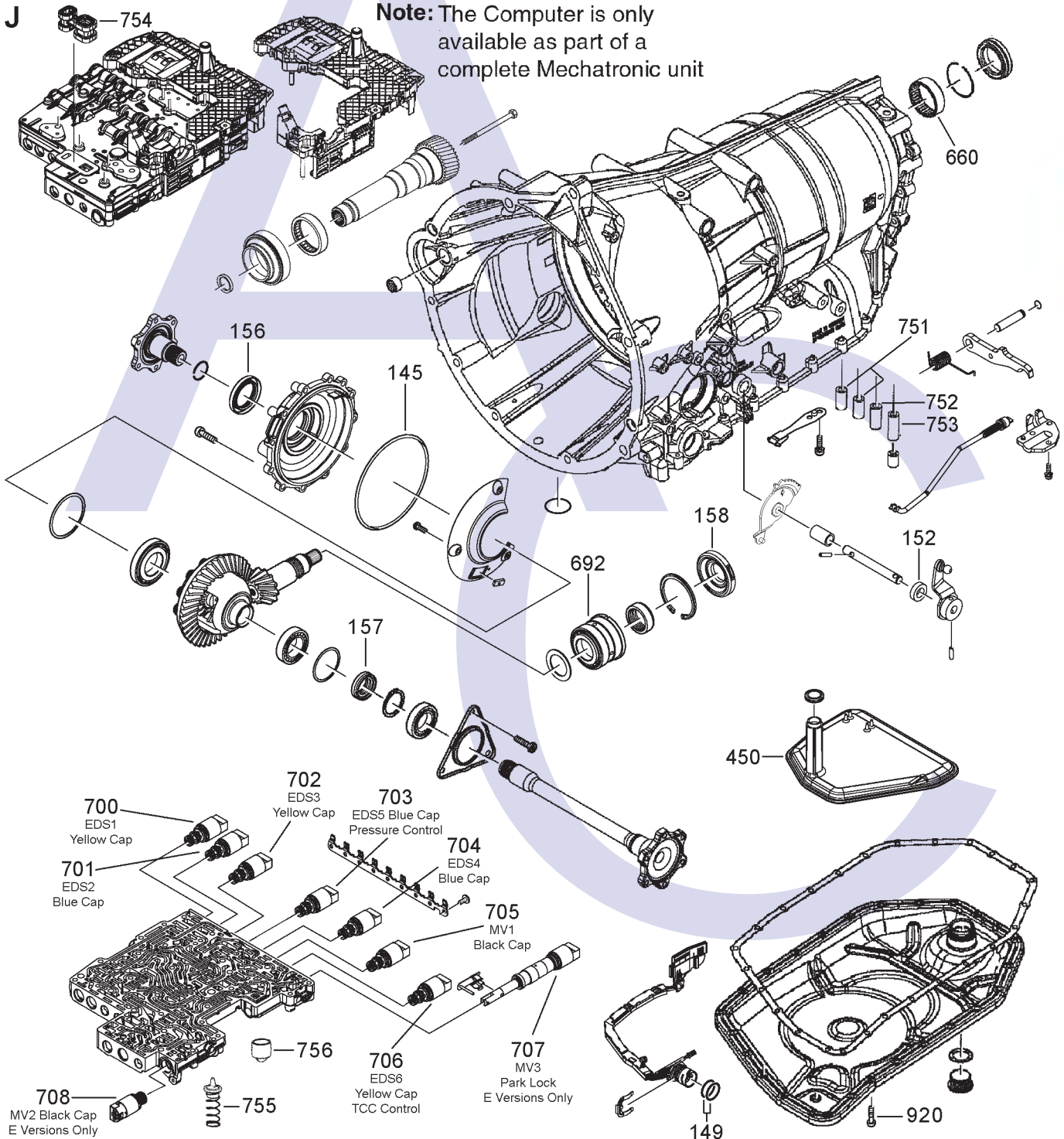
H



Rear Planetary Assembly

J

Note: The Computer is only available as part of a complete Mechatronic unit



ZF 6HP32A 1070 020 xxx (VW) 6 SPEED IN LINE FWD (Full Electronic Control)

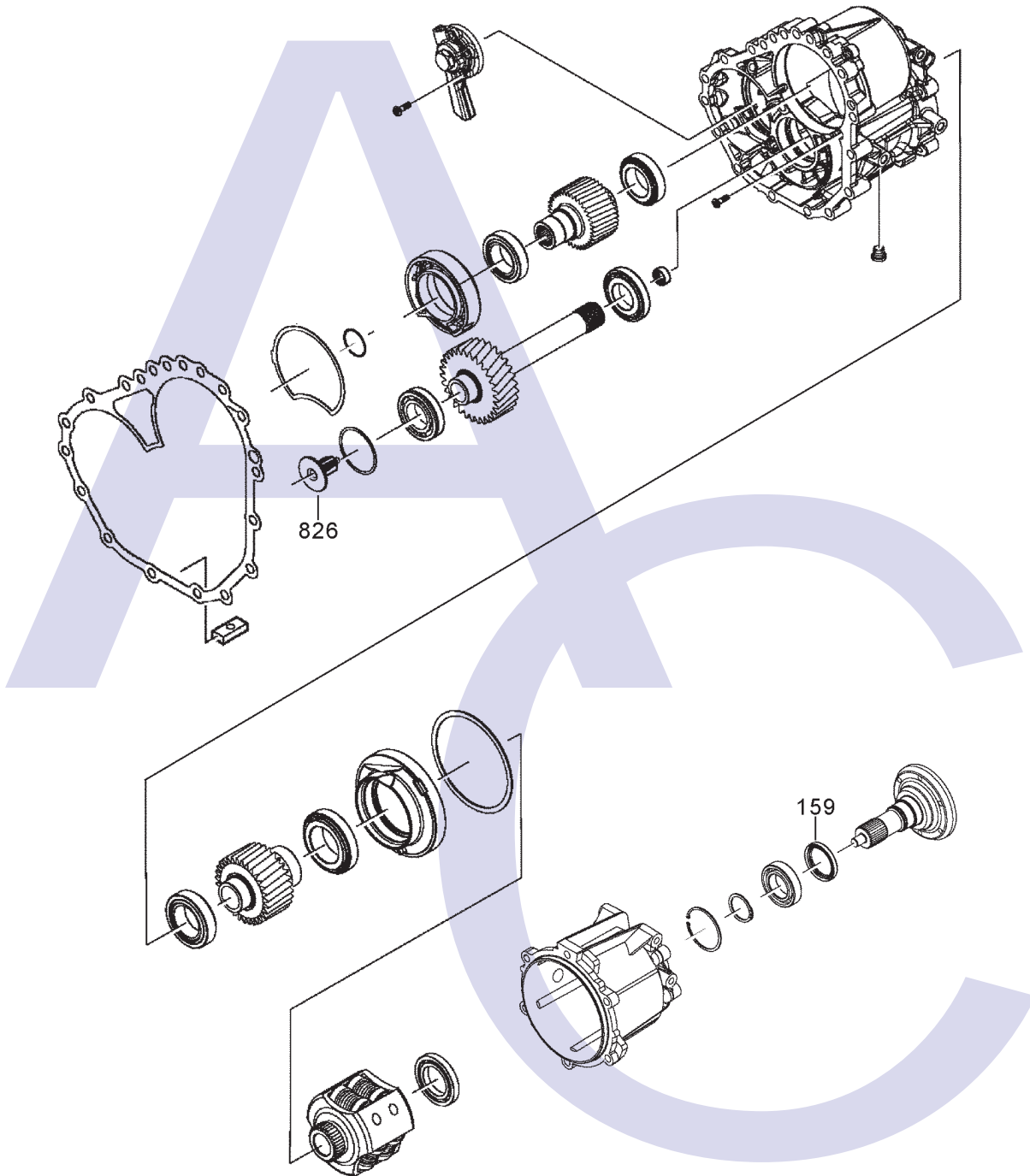


AUTOMATIC CHOICE



THE AUTOMATIC TRANSMISSION PARTS WAREHOUSE

K



ZF 6HP32A 1070 020 xxx (VW)

6 SPEED IN LINE FWD (Full Electronic Control)



AUTOMATIC CHOICE



THE AUTOMATIC TRANSMISSION PARTS WAREHOUSE

ILL NO.	DESCRIPTION	YEARS	QTY	PART NO
KITS				
GASKETS				
100J	Pan Gasket (Fits Codes 1070 014 004, 005 & 1070 020 007, 008)	All	1	6HP32A.GAS01
101A	Pump Bolt Sealing Washer	All	14	5HP18.GAS04
RUBBER COMPONENTS				
120A	'O' Ring, Pump to Stator	All	1	4HP24.OR01
126C	'O' Ring, 'E' Clutch Inner	All	1	6HP19.OR02
127C	'O' Ring, 'E' Clutch Outer	All	1	5HP19.OR07
128C	'O' Ring, 'E' Damper Outer	All	1	5HP19.OR07
130E	'O' Ring, 'B' Clutch Damper (Outer)	All	1	6HP19.OR01
131E	'O' Ring, 'B' Clutch Inner	All	1	6HP19.OR02
145J	'O' Ring, Differential Cover	All	1	5HP19.OR04
149J	Case Connector 'O' Ring	All	2	5HP18.OR03
METAL CLAD SEALS				
150A	Front Pump	All	1	6HP26.MCS01
152J	Selector Shaft Seal (10mm x 18mm x 5mm)	All	1	3HP22.MCS03
156J	Front Axle R/Hand (OEM)	All	1	6HP19A.MCS01
156J	Front Axle R/Hand (AM)	All	1	6HP19A.MCS51
157J	Front Axle L/Hand	All	1	6HP19A.MCS02
158J	Front Axle (Pinion)	All	1	6HP32A.MCS03
159K	Rear Output Flange	All	1	6HP32A.MCS02
MOULDED PISTONS				
SEALING RINGS				
FRICITION PLATES				
250B	'A' Clutch	All	5	6HP32.FRP01
251C	'E' Clutch	All	6	6HP32.FRP03
252E	'B' Clutch	All	5	6HP32.FRP05
253F	'C' Brake	All	5	6HP32.FRP05
254G	'D' Brake	All	7	6HP32.FRP01
STEEL PLATES				
300B	'A' Clutch	All	5	6HP32.STP01
301C	'E' Clutch	All	6	6HP32.STP02
302E	'B' Clutch	All	5	6HP32.STP04
303F	'C' Brake	All	5	6HP32.STP01
304G	'D' Brake	All	7	6HP32.STP04

ILL NO.	DESCRIPTION	YEARS	QTY	PART NO
PRESSURE PLATES				
401C	'E' Clutch	All	1	6HP32.PP02
402E	'B' Clutch	All	1	6HP32.PP03
SPRINGS & CIRCLIPS				
434C	Circlip 'E' Clutch Selective (3.00mm)	All	AR	6HP32.CIR02
431C	Snap Ring, Front Planet to 'A' Clutch Drum	All	1	6HP26.RET01
FILTERS				
450J	Filter, Pick Up	All	1	6HP26A.FIL01
BUSHINGS				
THRUST WASHERS & BEARINGS				
600A	Shim, Selective (Rear of Pump) (2.60mm Thick)	All	AR	6HP26.SHIM01
	(2.80mm Thick)	All	AR	6HP26.SHIM02
	(3.00mm Thick)	All	AR	6HP26.SHIM03
	(3.20mm Thick)	All	AR	6HP26.SHIM04
	(3.40mm Thick)	All	AR	6HP26.SHIM05
	(3.60mm Thick)	All	AR	6HP26.SHIM06
	(3.80mm Thick)	All	AR	6HP26.SHIM07
	(4.00mm Thick)	All	AR	6HP26.SHIM08
	(4.20mm Thick)	All	AR	6HP26.SHIM09
	(4.40mm Thick)	All	AR	6HP26.SHIM10
	(4.60mm Thick)	All	AR	6HP26.SHIM11
	(4.80mm Thick)	All	AR	6HP26.SHIM12
601J	Shim, Selective (Output Shaft) (1.20mm Thick)	All	AR	6HP26.SHIM13
	(1.40mm Thick)	All	AR	6HP26.SHIM14
	(1.60mm Thick)	All	AR	6HP26.SHIM15
	(1.80mm Thick)	All	AR	6HP26.SHIM16
	(2.00mm Thick)	All	AR	6HP26.SHIM17
	(2.20mm Thick)	All	AR	6HP26.SHIM18
	(2.40mm Thick)	All	AR	6HP26.SHIM19
	(2.60mm Thick)	All	AR	6HP26.SHIM20
	(2.80mm Thick)	All	AR	6HP26.SHIM21
650A	Needle Bearing (Front Pump)	All	1	6HP26.BE01
652D	Radial Bearing, 'E' Clutch to Intermediate Shaft	All	1	6HP26.TOR02
660J	Needle Bearing, Output Shaft	All	1	6HP26.BE02
692J	Pinion Bearing Assy	All	1	5HP19.BE05
ELECTRICAL COMPONENTS				
700J	EDS1 Solenoid (PWM) (Yellow Cap)	All	1	6HP26.SOL03
701J	EDS2 Solenoid (PWM) (Blue Cap)	All	1	6HP26.SOL04
702J	EDS3 Solenoid (PWM) (Yellow Cap)	All	1	6HP26.SOL03
703J	EDS5 Solenoid (PWM) (Pressure Control Blue Cap)	All	1	6HP26.SOL04
704J	EDS4 Solenoid (PWM) (Blue Cap)	All	1	6HP26.SOL04

ZF 6HP32A 1070 020 xxx (VW)

6 SPEED IN LINE FWD (Full Electronic Control)



AUTOMATIC CHOICE

ILL NO.	DESCRIPTION	YEARS	QTY	PART NO
ELECTRICAL COMPONENTS Cont...				
705J	MV1 Solenoid (On/Off) (Black Cap) All	All	1	6HP26.SOL02
706J	EDS6 Solenoid (PWM) (TCC Control Yellow Cap)..... All	All	1	6HP26.SOL03
707J	MV3 Solenoid (On/Off) (Park Lock, E Versions Only).... All	All	1	6HP26.SOL05
708J	MV2 Solenoid (On/Off) (Black Cap, E Versions Only).... All	All	1	6HP26.SOL02
VALVE BODY PARTS				
751J	Sealing Sleeve, Valve Body to Case..... All	All	2	6HP26.TU01
752J	Sealing Sleeve, Valve Body to Case..... All	All	1	6HP26.TU02
753J	Sealing Sleeve, Valve Body to Case..... All	All	1	6HP26.TU03
754J	Valve Body to Case (Rubber Spacer Gasket) All	All	1	6HP26.TU04
755J	Spring & Cap Assy (Return Valve for Clutches & Retaining Valve for Converter Pressure) All	All	2	6HP26.VA01
756J	Damper Piston All	All	6	5HP19.ACC02
NI	Bonded Rubber Intermediate Plate for Mechatronic Unit / Valve Body (A & B051 Bonded to Plate) All	All	1	6HP26.SP03
Kit	Pressure Regulator Valve (Oversize) Requires Toolkit 6HP19.VA02 & AG4.VA05 Universal Fixture (Sonnax® Click here for Info) . 01-ON	01-ON	1	6HP19.VA01
Kit	Toolkit for 6HP19.VA01 (Sonnax®)..... 01-ON	01-ON	1	6HP19.VA02
Kit	Sleeve, Pressure Regulator Valve (Sonnax® Click here for Info) . 01-ON	01-ON	1	6HP19.VA03
Kit	Valve Body End Plug (13mm & 17mm) (Sonnax® Click here for Info) . 01-ON	01-ON	1	6HP19.VA04
Kit	Valve Body End Plug (12mm) (Sonnax® Click here for Info) . 01-ON	01-ON	1	6HP19.VA05
Kit	Boost Valve & Sleeve (Sonnax® Click here for Info) . 01-ON	01-ON	1	6HP19.VA06
Kit	Accumulator Pistons & Springs (Sonnax® Click here for Info) . 01-ON	01-ON	1	6HP19.VA07
Kit	Lubrication Control Valve (Oversize) Requires Toolkit 6HP19.VA09 & AG4.VA05 Universal Fixture (Sonnax® Click here for Info) . 01-ON	01-ON	1	6HP19.VA08
Kit	Toolkit for 6HP19.VA08 (Sonnax®)..... 01-ON	01-ON	1	6HP19.VA09
Kit	Solenoid Pressure Regulator Valve (Oversize) Requires Toolkit 6HP19.VA11 & AG4.VA05 Universal Fixture (Sonnax® Click here for Info) . 01-ON	01-ON	1	6HP19.VA10
Kit	Toolkit for 6HP19.VA10 (Sonnax®)..... 01-ON	01-ON	1	6HP19.VA11
Kit	Converter Release Regulator Valve (Oversize) Requires Toolkit 6HP19.VA14 & AG4.VA05 Universal Fixture (Sonnax® Click here for Info) . 01-ON	01-ON	1	6HP19.VA13
Kit	Toolkit for 6HP19.VA13 (Sonnax®)..... 01-ON	01-ON	1	6HP19.VA14
Kit	Bypass Clutch Control Valve (Oversize) Requires Toolkit 6HP19.VA16 & AG4.VA05 Universal Fixture (Sonnax® Click here for Info) . 01-ON	01-ON	1	6HP19.VA15

ILL NO.	DESCRIPTION	YEARS	QTY	PART NO
VALVE BODY PARTS Cont...				
Kit	Toolkit for 6HP19.VA15 (Sonnax®)..... 01-ON	01-ON	1	6HP19.VA16
Kit	'D1'/E' Clutch Control Valve (Oversize) Requires Toolkit 6HP19.VA12 & AG4.VA05 Universal Fixture (Sonnax® Click here for Info) . 01-ON	01-ON	1	6HP19.VA17
Kit	'A' Clutch Control Valve (Oversize) Requires Toolkit 6HP19.VA12 & AG4.VA05 Universal Fixture (Sonnax® Click here for Info) . 01-ON	01-ON	1	6HP19.VA18
Kit	Toolkit for 6HP19.VA17 & VA18 (Sonnax®)..... 01-ON	01-ON	1	6HP19.VA12
Kit	Valve Body Correction Package (Sonnax® ZIP KIT) (Click here for Info) All	All	1	6HP19.ZIP01
Click here for complete Sonnax® Valve Body Diagram				
HARD PARTS				
800A	Short Pump Assy (6HP32A) (Fits Codes 1070 020 007, 008) All	All	1	6HP26.PUM06
801A	Pump Bolt (M6 x 20mm) All	All	1	4HP20.NUT03
810C	'E' Clutch Drum & Input Shaft (Codes: 1070 020 007, 008) All	All	1	6HP32.DRU06
814D	'A' Clutch Hub & Sun Shaft All	All	1	6HP32.HUB01
818E	'B' Clutch Drum & Sun Shaft All	All	1	6HP32.DRU03
821F	'C'/D' Brake Drum All	All	1	6HP32.DRU04
826K	Tube, Oil Lubrication All	All	1	6HP26.TU05
SPECIAL ITEMS				
920J	Bolt, Oil Pan to Case..... All	All	26	5HP19.NUT05
NI	LifeGuardFluid6 Transmission Fluid (Shell M-1375.4) (1 x 1 Ltr Bottle) All	All	AR	OIL.53
	(1 x 20 Ltr Canister) All	All	AR	OIL.54
	(1 x 209 Ltr Barrel) All	All	AR	OIL.55
Note: Fill differential and transfer box with gear oil Burmah SAF-AG4				
TOOLS & MANUALS				



THE AUTOMATIC TRANSMISSION PARTS WAREHOUSE