

# ZF 4HP24 Box Code: 1043 030 xxx

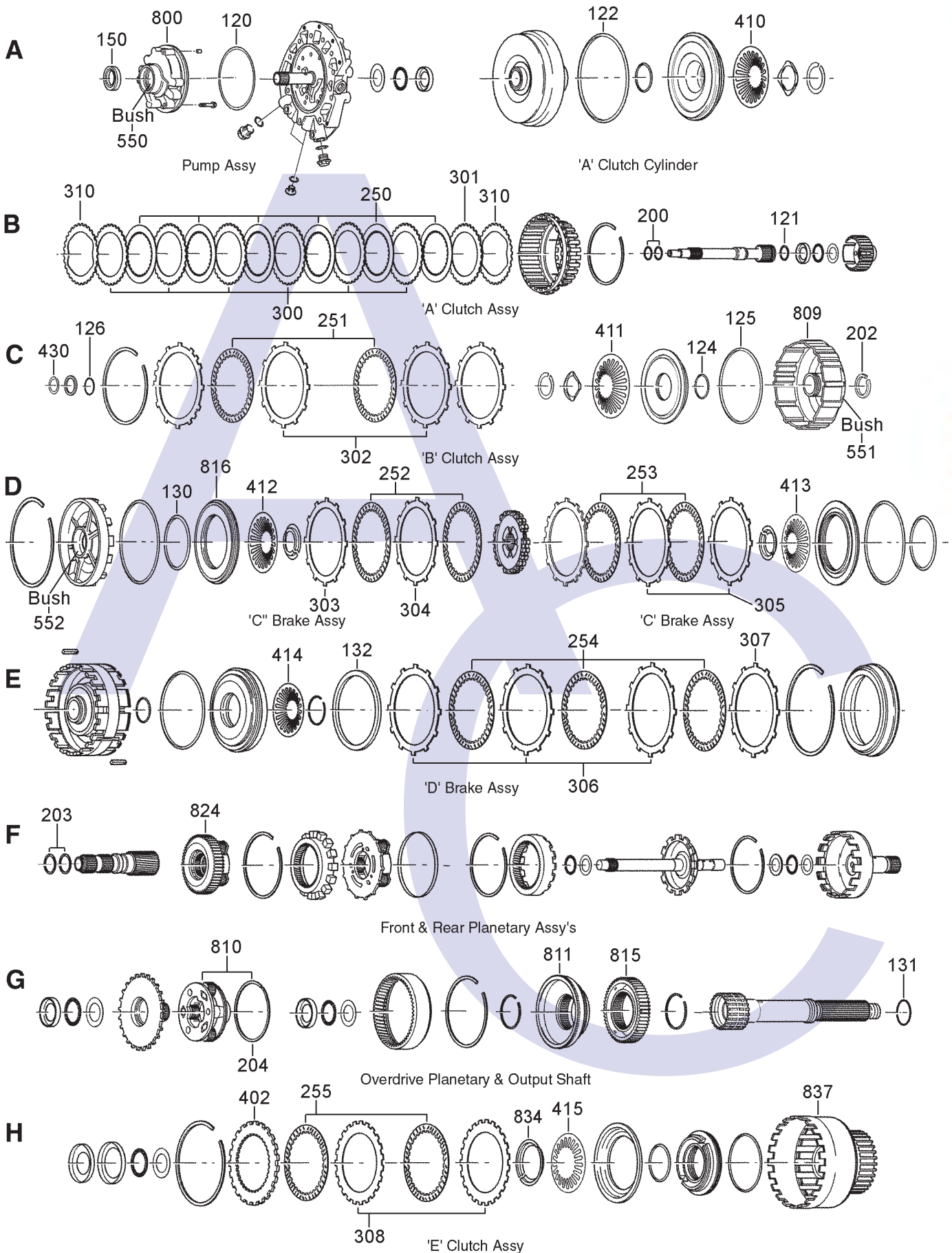
## 4 SPEED RWD (Electronic Control)



AUTOMATIC CHOICE



THE AUTOMATIC TRANSMISSION PARTS WAREHOUSE

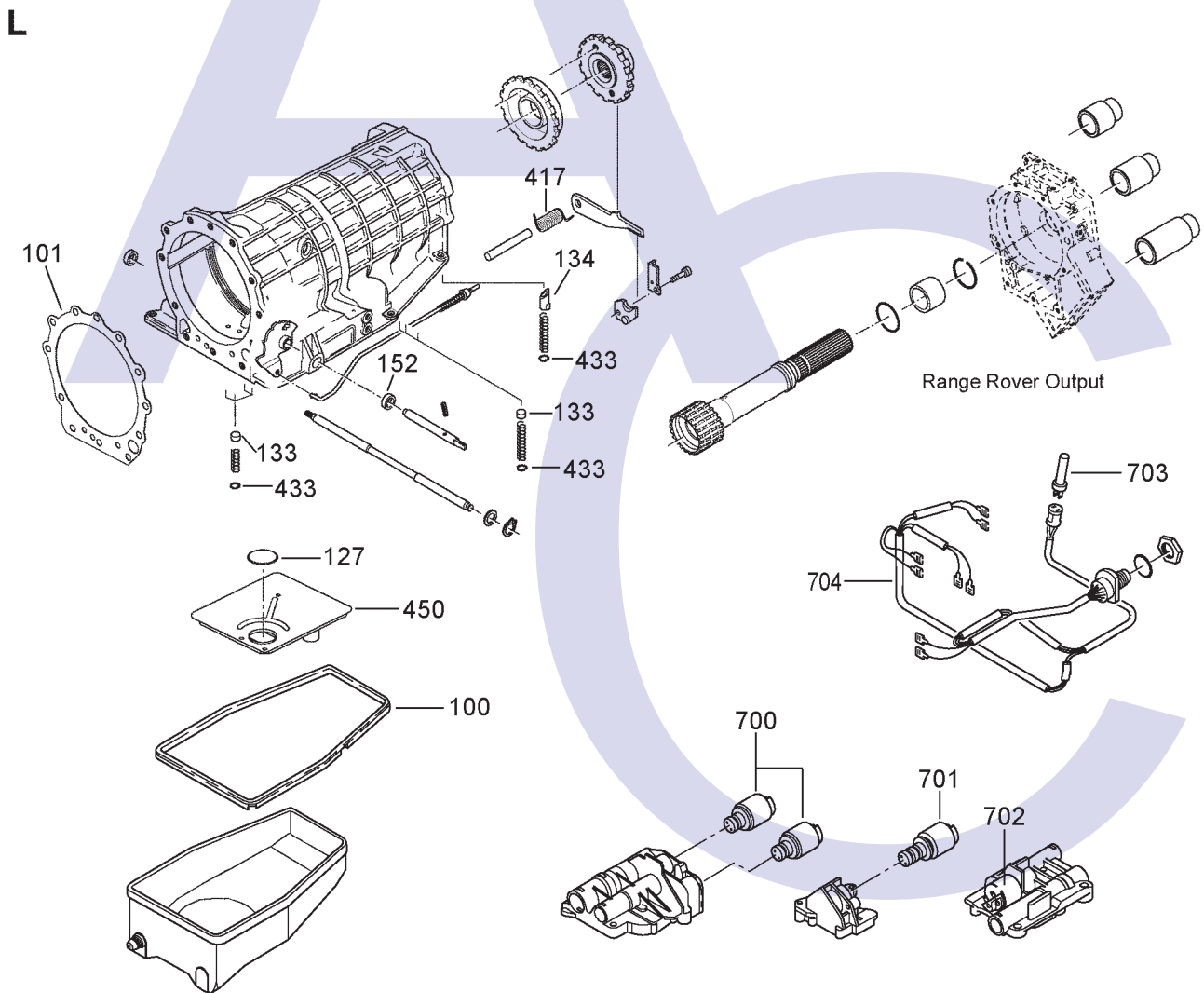
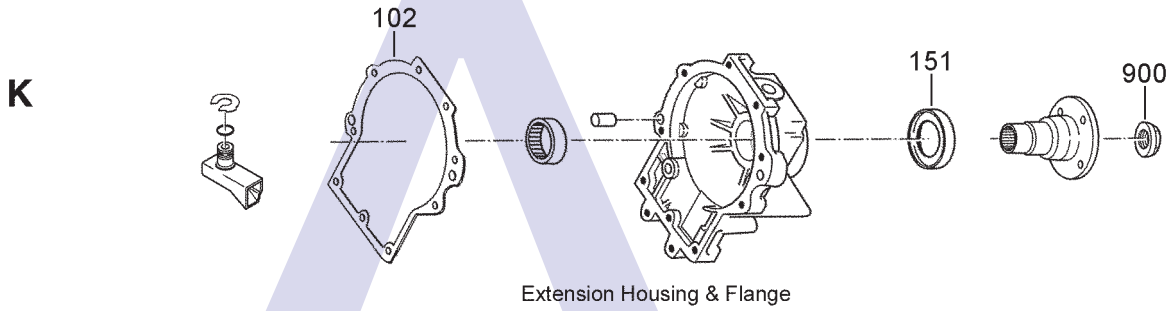
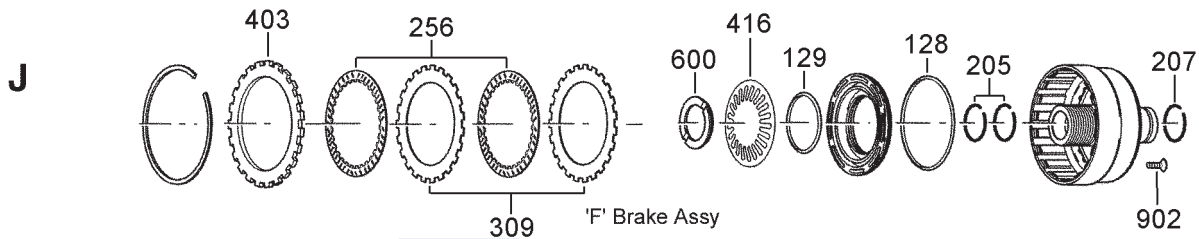


# ZF 4HP24 Box Code: 1043 030 xxx

## 4 SPEED RWD (Electronic Control)



AUTOMATIC CHOICE



THE AUTOMATIC TRANSMISSION PARTS WAREHOUSE

# ZF 4HP24 Box Code: 1043 030 xxx

## 4 SPEED RWD (Electronic Control)



AUTOMATIC CHOICE



THE AUTOMATIC TRANSMISSION PARTS WAREHOUSE

ILL NO.	DESCRIPTION	YEARS	QTY	PART NO
<b>KITS</b>				
Kit	Overhaul Kit (Transtec).....	87-ON	1	<b>4HP22.OHK03</b>
Kit	Overhaul Kit (OEM) (BMW, Jaguar).....	87-ON	1	<b>4HP22.OHK05</b>
Kit	Overhaul Kit (OEM) (Land/Range Rover).....	94-ON	1	<b>4HP22.OHK06</b>
<b>GASKETS</b>				
100L	Pan Gasket.....	87-ON	1	<b>4HP22.GAS01</b>
101L	Stator to Case.....	87-ON	1	<b>4HP22.GAS02</b>
101L	Stator to Case (OEM).....	87-ON	1	<b>4HP22.GAS22</b>
102K	Extension Housing.....	87-ON	1	<b>4HP22.GAS03</b>
NI	Valve Body Gasket Except Box Codes: (1043 030 012, 019, 021, 026 & 058).....	87-ON	1	<b>4HP22.GAS08</b>
<b>RUBBER COMPONENTS</b>				
120A	Pump 'O' Ring.....	87-ON	1	<b>4HP24.OR01</b>
121B	Input Shaft 'O' Ring.....	87-ON	1	<b>4HP22.OR14</b>
122A	'A' Clutch Outer 'O' Ring.....	87-ON	1	<b>4HP22.OR01</b>
124C	'B' Clutch Inner 'O' Ring.....	87-ON	1	<b>4HP22.OR12</b>
125C	'B' Clutch Outer 'O' Ring.....	87-ON	1	<b>4HP22.OR06</b>
125C	'B' Clutch Outer 'O' Ring Codes: <b>1043 030</b> 049, 051-056, 059-061, 063-065, 067-069) .....	87-ON	1	<b>5HP19.OR09</b>
126C	'B' Clutch to Sun Shaft 'O' Ring.....	87-ON	1	<b>4HP22.OR14</b>
127L	Filter to Valve Body 'O' Ring.....	87-ON	1	<b>4HP22.OR11</b>
128J	'F' Brake Outer 'O' Ring.....	87-ON	1	<b>4HP22.OR04</b>
129J	'F' Brake Inner 'O' Ring.....	87-ON	1	<b>4HP22.OR07</b>
130D	'C1' Brake Inner 'O' Ring.....	87-ON	1	<b>4HP22.OR05</b>
131G	Output Shaft 'O' Ring.....	87-ON	1	<b>4HP22.OR15</b>
132E	'D' Brake Cushion Rubber (Some Models).....	87-ON	1	<b>4HP22.CUS01</b>
133L	V. Body to Case Seal.....	87-ON	8	<b>4HP22.RUB01</b>
134L	V. Body to Case Seal Angled ...	87-ON	1	<b>4HP22.RUB02</b>
NI	Angled Rubber Spacer Kit.....	83-ON	1	<b>4HP22.RK01</b>
NI	Rubber Spacer & Clip Kit (For Valve Body).....	83-ON	1	<b>4HP22.RK02</b>
<b>METAL CLAD SEALS</b>				
150A	Front Pump Body (OEM).....	87-ON	1	<b>3HP22.MCS01</b>
150A	Front Pump Body (AM).....	87-ON	1	<b>3HP22.MCS51</b>
151K	Extension Housing (OEM).....	87-ON	1	<b>3HP22.MCS02</b>
151K	Extension Housing (AM).....	87-ON	1	<b>3HP22.MCS52</b>
152J	Selector Shaft.....	87-ON	1	<b>3HP22.MCS03</b>
NI	Transfer Case Range Rover Later Chain Driven Unit (70mm OD x 48mm ID).....	87-ON	2	<b>4HP22.MCS06</b>
<b>SEALING RINGS</b>				
Kit	Sealing Ring Kit.....	87-ON	1	<b>4HP22.SRK01</b>
200B	Input Shaft.....	87-ON	2	<b>4HP22.SSR01</b>
202C	'B' Clutch Drum.....	87-ON	1	<b>4HP22.SSR02</b>
203F	Sun Gear Shaft.....	87-ON	2	<b>4HP22.SSR03</b>
204G	Planetary Set.....	87-ON	1	<b>4HP22.SSR07</b>
205J	'F' Brake to 'E' Clutch.....	87-ON	2	<b>4HP22.SSR04</b>
207J	'F' Brake to Park Ring.....	87-ON	1	<b>4HP20.SSR02</b>

ILL NO.	DESCRIPTION	YEARS	QTY	PART NO
<b>FRICITION PLATES</b>				
Kit	Friction Plate.....	87-ON	1	<b>4HP24.FRK02</b>
Kit	Friction Plate (Alto).....	87-ON	1	<b>4HP24.FRK53</b>
250B	'A' Clutch (Forward).....	87-ON	6	<b>4HP22.FRP11</b>
251C	'B' Clutch (Third & Reverse).....	87-ON	5	<b>3HP22.FRP22</b>
252D	'C1' Brake (Intermediate & Overrun).....	87-ON	2	<b>3HP22.FRP23</b>
253D	'C' Brake (Intermediate).....	87-ON	3	<b>3HP22.FRP23</b>
254E	'D' Clutch.....	87-ON	5	<b>4HP24.FRP22</b>
254E	'D' Clutch (Alto).....	87-ON	5	<b>4HP24.FRP51</b>
255H	'E' Clutch (Overdrive Clutch).....	87-ON	4	<b>4HP22.FRP11</b>
256J	'F' Brake (Overdrive Brake).....	87-ON	4	<b>4HP22.FRP11</b>
256J	'F' Brake (OD Brake) (Alto).....	87-ON	4	<b>4HP22.FRP52</b>
<b>STEEL PLATES</b>				
Kit	Steel Plate.....	87-ON	1	<b>4HP24.STK01</b>
Kit	Steel Plate (Alto).....	87-ON	1	<b>4HP24.STK51</b>
300B	'A' Clutch (2.10mm).....	87-ON	5	<b>4HP22.STP01</b>
301B	'A' Clutch Selective (2.10mm) ...	87-ON	1	<b>4HP22.STP01</b>
301B	'A' Clutch Selective (1.50mm) ...	87-ON	1	<b>4HP22.STP02</b>
302C	'B' Clutch (2.10mm).....	87-ON	5	<b>3HP22.STP04</b>
303D	'C1' Brake (1.80mm).....	87-ON	1	<b>3HP22.STP03</b>
304D	'C1' Brake (2.10mm).....	87-ON	1	<b>3HP22.STP04</b>
305D	'C' Brake (2.10mm).....	87-ON	3	<b>3HP22.STP04</b>
306E	'D' Brake (1.20mm).....	87-ON	5	<b>4HP24.STP01</b>
307E	'D' Brake Selective (2.10mm)....	87-ON	1	<b>4HP24.STP04</b>
307E	'D' Brake Selective (1.80mm)....	87-ON	1	<b>4HP24.STP03</b>
307E	'D' Brake Selective (1.50mm)....	87-ON	1	<b>4HP24.STP02</b>
307E	'D' Brake Selective (1.20mm)....	87-ON	1	<b>4HP24.STP01</b>
308H	'E' Clutch (1.50mm).....	87-ON	5	<b>4HP22.STP02</b>
309J	'F' Brake (2.10mm).....	87-ON	4	<b>4HP22.STP01</b>
310B	'A' Clutch Waved.....	87-ON	2	<b>4HP22.STP05</b>
311C	'B' Clutch Waved (Some Models).....	87-ON	1	<b>4HP22.STP06</b>
<b>PRESSURE PLATES</b>				
402H	'E' Clutch.....	87-ON	1	<b>4HP22.PP05</b>
403J	'F' Brake.....	87-ON	1	<b>4HP22.PP06</b>
<b>SPRINGS &amp; CIRCLIPS</b>				
410A	'A' Clutch Diaphragm Spring.....	87-ON	1	<b>4HP24.DIA01</b>
411C	'B' Clutch Diaphragm Spring.....	87-ON	1	<b>4HP22.DIA05</b>
412D	'C1' Brake Diaphragm Spring.....	87-ON	1	<b>4HP22.DIA06</b>
413D	'C' Brake Diaphragm Spring.....	87-ON	1	<b>4HP22.DIA06</b>
414E	'D' Brake Diaphragm Spring.....	87-ON	1	<b>4HP22.DIA03</b>
415H	'E' Clutch Diaphragm Spring.....	87-ON	1	<b>4HP22.DIA04</b>
416J	'F' Brake Diaphragm Spring.....	87-ON	1	<b>4HP22.DIA02</b>
417L	Spring, Parking Pawl Return.....	87-ON	1	<b>4HP22.SPR12</b>
430C	Circlip 'B' Clutch to Sun Shaft ...	87-ON	1	<b>4HP22.CIR01</b>
433L	Circlip Case sealing Rubber Compression Spring.....	87-ON	8	<b>4HP22.CIR03</b>
<b>FILTERS</b>				
450L	Filter (Flat).....	87-ON	1	<b>4HP22.FIL01</b>
450L	Filter (Flat OEM).....	87-ON	1	<b>4HP22.FIL11</b>
450L	Filter (Range Rover/DAF).....	87-ON	1	<b>4HP22.FIL02</b>
450L	Filter (OEM) (Range Rover/DAF).....	87-ON	1	<b>4HP22.FIL12</b>
450L	Filter (With Spout).....	87-ON	1	<b>4HP22.FIL03</b>

# ZF 4HP24 Box Code: 1043 030 xxx

## 4 SPEED RWD (Electronic Control)



AUTOMATIC CHOICE

ILL NO.	DESCRIPTION	YEARS	QTY	PART NO
<b>BUSHINGS</b>				
550A	Front Pump Body Bush (17mm Wide) .....	87-ON	1	<b>4HP22.BUS01</b>
551B	'A' Clutch Housing.....	87-ON	1	<b>4HP18.BUS01</b>
552D	C1 Clutch Housing.....	87-ON	1	<b>4HP18.BUS01</b>
NI	Centre Support.....	87-ON	1	<b>4HP18.BUS01</b>
<b>THRUST WASHERS &amp; BEARINGS</b>				
600J	'F' Brake Retainig 'C' Clip.....	87-ON	1	<b>4HP22.THW01</b>
<b>ELECTRICAL COMPONENTS</b>				
700L	Shift Solenoid.....	87-ON	2	<b>5HP18.SOL01</b>
701L	Lock Up Solenoid.....	87-ON	1	<b>5HP18.SOL03</b>
702L	Pressure Control Solenoid (0501 311 845, OEM).....	87-ON	1	<b>5HP18.SOL02</b>
702L	Pressure Control Solenoid (0501 209 948, OEM) .....	87-ON	1	<b>4HP22.SOL05</b>
703L	Inductive Speed Sensor.....	87-ON	1	<b>4HP22.ELE01</b>
704L	Valve Body Loom (E9 Electrics 4 Sol V. Body) .....	87-ON	1	<b>4HP22.ELE06</b>
NI	Range Switch (Range Rover Code <b>1043 030 069</b> ).....	94-ON	1	<b>4HP22.ELE05</b>
<b>VALVE BODY COMPONENTS</b>				
NI	Aluminum Tube 'U' Shape.....	87-ON	1	<b>4HP22.TU01</b>
NI	Valve Body Plastic Check Ball (6.50mm).....	87-ON	AR	<b>4HP22.BALL01</b>
NI	Valve Body Plastic Check Ball (4.50mm).....	87-ON	AR	<b>4HP22.BALL02</b>
NI	Encapsulated Plastic Ball Valve Fits in Rear of Lower Valve Body (Fits All Except Codes <b>1043 030 012, 019, 021, 041</b> ) .....	87-ON	1	<b>4HP22.VA01</b>
NI	'C' Accumulator Spring (Codes; <b>1043 030 019,051, 052, 053, 054, 055, 056, 059, 060, 061, 063, 064, 065, 067, 068, 069</b> ) .....	87-ON	1	<b>4HP14.SPR23</b>
NI	'E' Accumulator Spring (Codes <b>1043 030 049, 061, 063, 064, 065, 067, 068, 069</b> ) .....	87-ON	1	<b>4HP22.SPR11</b>
NI	'F' Brake Accumulator Spring (Codes; <b>1043 030 012,019, 021, 026, 034, 035, 039, 040, 041, 042, 043, 045, 046, 048, 050, 051, 052, 053, 054, 055, 056, 058, 059, 060</b> ) .....	87-ON	1	<b>4HP14.SPR24</b>
NI	Spring, Pressure Regulator (Codes: <b>1043 030 019, 021, 026, 058</b> ) .....	87-ON	1	<b>5HP24.SPR02</b>
<b>HARD PARTS</b>				
800A	Pump Body & Gears Box Codes (1043 030 012 & 019 Only).....	87-ON	1	<b>4HP24.PUM01</b>
800A	Pump Body & Gears Box Codes (1043 030 059, 060, 065, 067, 068, & 069 Only).....	87-ON	1	<b>4HP22.PUM03</b>
800A	Pump Body & Gears Box Codes: (Except Above).....	87-ON	1	<b>4HP24.PUM02</b>

ILL NO.	DESCRIPTION	YEARS	QTY	PART NO
<b>HARD PARTS Cont...</b>				
809C	'B' Clutch Cylinder (4 Plate) .....	87-ON	1	<b>4HP22.DRU09</b>
810G	Over Drive Planet Assembly .....	87-ON	1	<b>4HP22.PL01</b>
811G	Overdrive One Way Clutch Assy.....	87-ON	1	<b>4HP22.OWC02</b>
815G	Splined Hub Overdrive One Way Clutch .....	87-ON	1	<b>4HP22.HUB02</b>
824F	Planetary Assembly (4 Pinion) ..	87-ON	1	<b>4HP24.PL02</b>
816D	'C1' Brake Piston.....	87-ON	1	<b>4HP24.PIS03</b>
834H	Retainer 'E' Clutch Diaphragm..	87-ON	1	<b>4HP22.CIR05</b>
837H	'E' Clutch Drum (Codes <b>1043 030 012, 019, 021, 026, 027, 034, 035, 039, 040, 041, 042, 043, 045, 046, 048, 049, 050, 051, 052, 053, 054, 055, 056, 058, 059, 060, 061, 063, 064, 065, 067, 068, 069</b> ) .....	91-ON	1	<b>4HP22.DRU10</b>
<b>SPECIAL ITEMS</b>				
900K	Output Shaft Nut .....	87-ON	1	<b>4HP22.NUT02</b>
902J	'F' Brake to Case Screw.....	83-ON	10	<b>4HP22.NUT01</b>
NI	Range Rover Sump Bung (Allen Head No Magnet) .....	87-ON	1	<b>4HP22.PLU01</b>
NI	Range Rover Sump Bung (17mm Head With Magnet).....	87-ON	1	<b>4HP22.PLU02</b>
<b>TOOLS &amp; MANUALS</b>				
<a href="#">Click here to view special tools for this transmission</a>				



THE AUTOMATIC TRANSMISSION PARTS WAREHOUSE