

# ZF 4HP16 (Daewoo, Chevrolet, Suzuki) 4 SPEED FWD (Electronic Control)

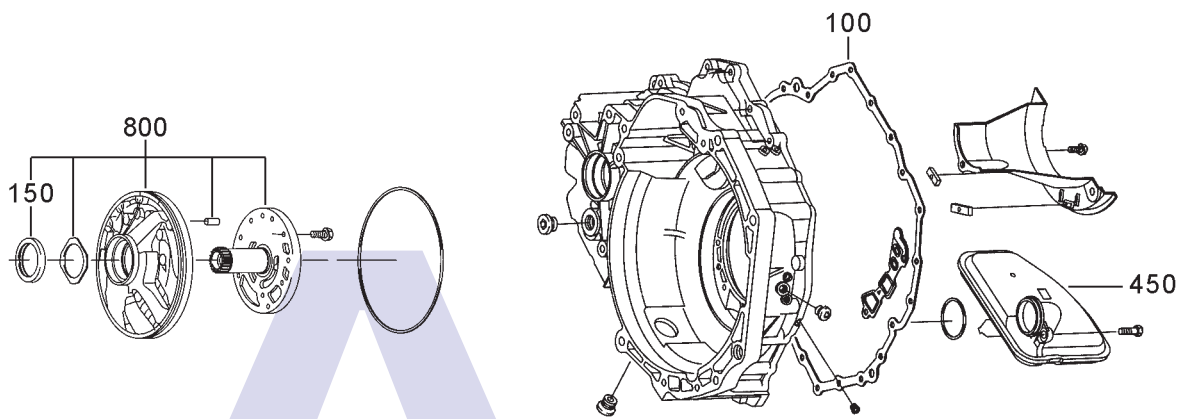


AUTOMATIC CHOICE



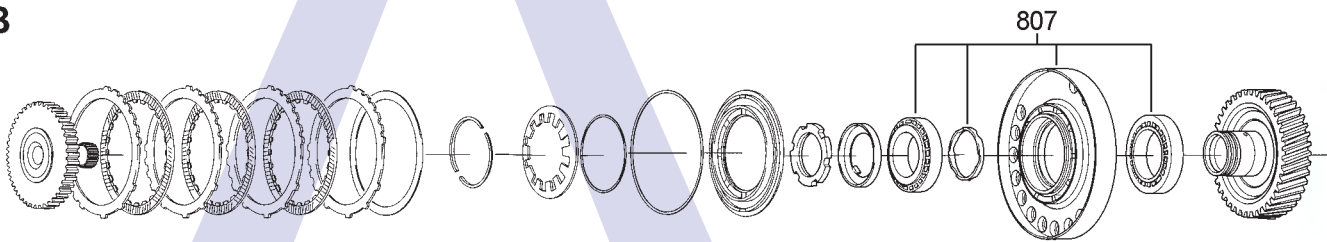
THE AUTOMATIC TRANSMISSION PARTS WAREHOUSE

**A**



Oil Pump & Bell Housing Assembly

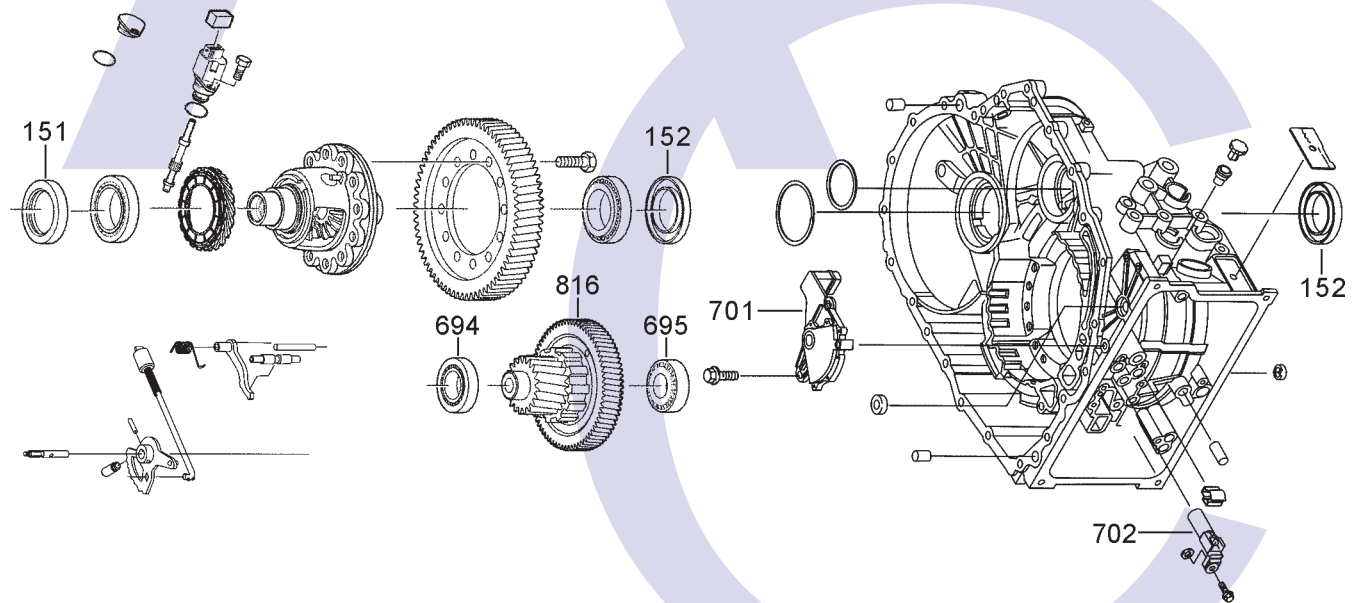
**B**



'F' Brake Assembly

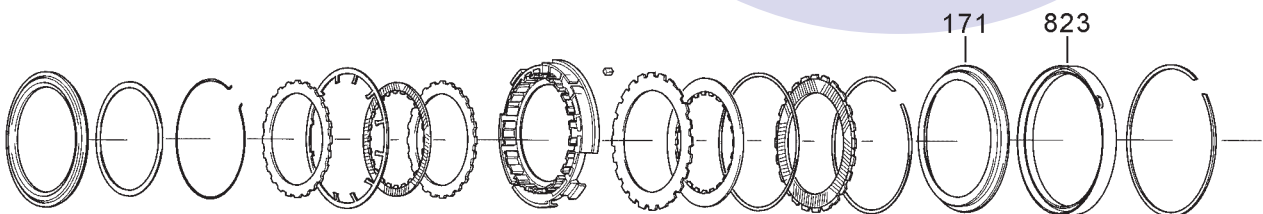
Output Gear & Bearing Plate

**C**



Differential, Main Case & Components

**D**



'D' Brake Assembly

'C' Brake Assembly

# ZF 4HP16 (Daewoo, Chevrolet, Suzuki) 4 SPEED FWD (Electronic Control)

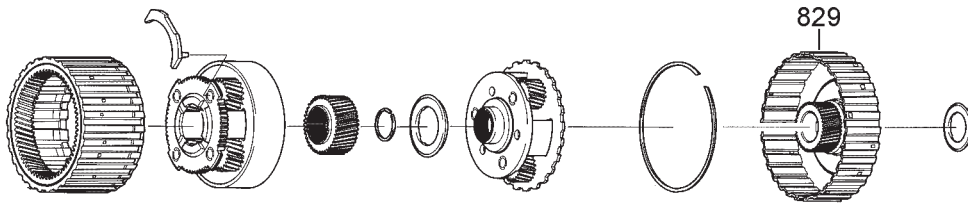


AUTOMATIC CHOICE



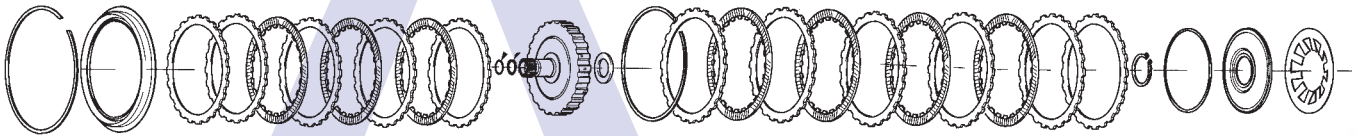
THE AUTOMATIC TRANSMISSION PARTS WAREHOUSE

E



Front & Rear Planetary Assembly

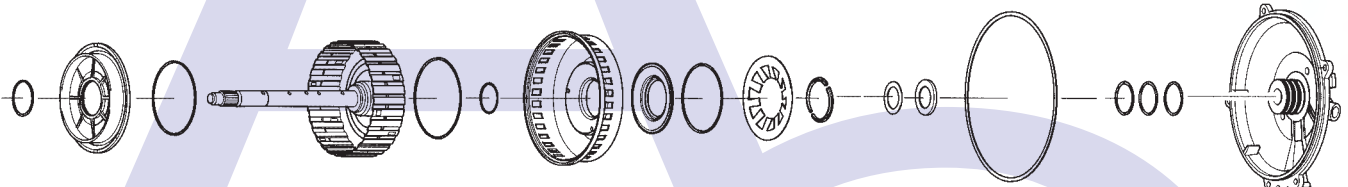
F



'B' Clutch Assembly

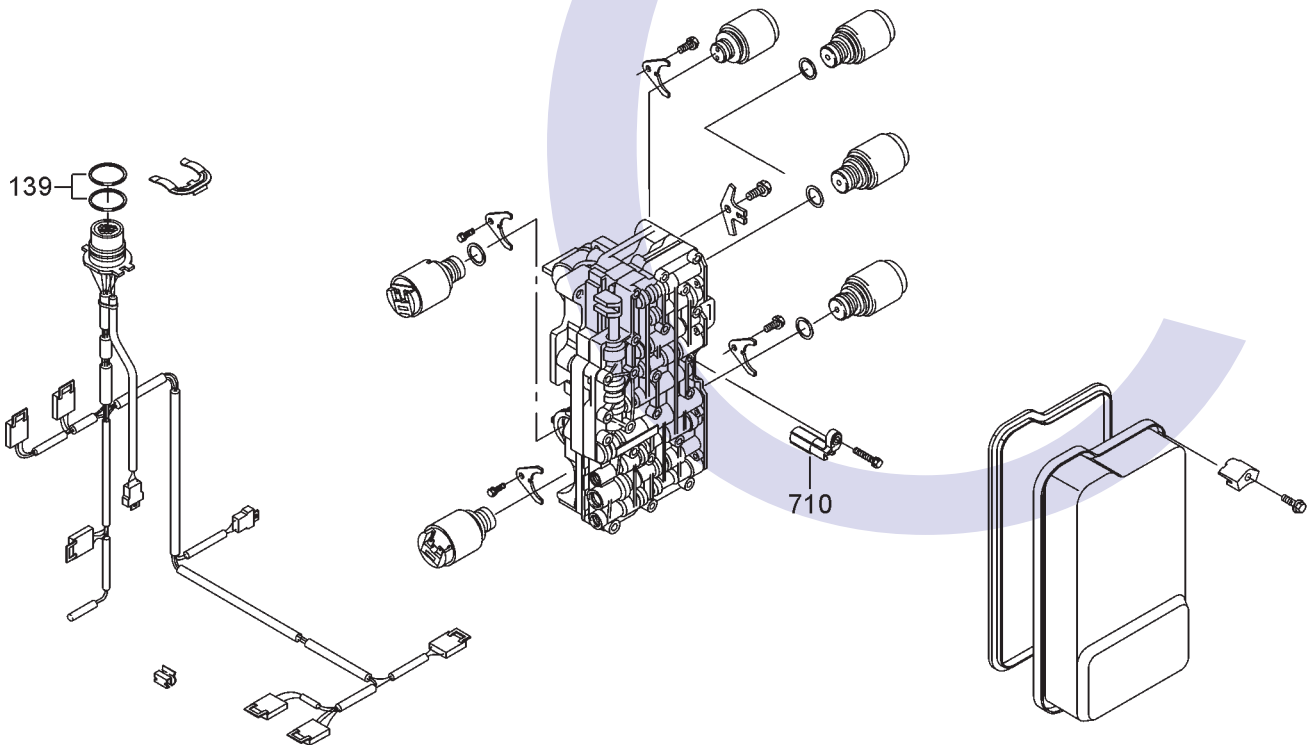
'E' Clutch Assembly

G



'B' & 'E' Clutch Carriers & End Cover

H



Valve Body and Associated Components

# ZF 4HP16 (Daewoo, Chevrolet, Suzuki)

## 4 SPEED FWD (Electronic Control)



AUTOMATIC CHOICE

ILL NO.	DESCRIPTION	YEARS	QTY	PART NO
<b>KITS</b>				
Kit	Overhaul Kit (Precision).....	00-ON	1	4HP16.OHK51
<b>GASKETS</b>				
100A	Bell Housing to Main Case.....	00-ON	1	4HP16.GAS02
<b>RUBBER COMPONENTS</b>				
139H	Case Connector 'O' Ring .....	00-ON	2	5HP18.OR03
<b>METAL CLAD SEALS</b>				
150A	Pump to Converter (OEM) .....	00-ON	1	3HP22.MCS01
150A	Pump to Converter (Aftermarket) .....	00-ON	1	3HP22.MCS51
151A	Drive Shaft Right Hand .....	00-ON	1	4HP16.MCS03
152A	Drive Shaft Left Hand.....	00-ON	1	4HP16.MCS02
<b>MOULDED PISTONS</b>				
171D	'C' Brake Moulded Piston.....	00-ON	1	4HP16.PIS01
<b>SEALING RINGS</b>				
<b>FRICTION PLATES</b>				
Kit	Friction Plate (Alto) .....	00-ON	1	4HP16.FRK51
<b>STEEL PLATES</b>				
Kit	Steel Plate.....	00-ON	1	4HP16.STK01
<b>PRESSURE PLATES</b>				
<b>SPRINGS &amp; CIRCLIPS</b>				
<b>FILTERS</b>				
450A	Pick Up Filter (Daewoo).....	00-ON	1	4HP16.FIL01
<b>BANDS</b>				

ILL NO.	DESCRIPTION	YEARS	QTY	PART NO
<b>BUSHINGS</b>				
<b>THRUST WASHERS &amp; BEARINGS</b>				
694C	Bearing, Idler Gear R/Hand .....	00-ON	1	4HP16.BE02
695C	Bearing, Idler Gear L/Hand .....	00-ON	1	4HP16.BE01
<b>ELECTRICAL COMPONENTS</b>				
701C	Range Switch (Daewoo/Chevrolet) .....	00-ON	1	4HP16.ELE01
702C	Output Speed Sensor .....	00-ON	1	4HP16.ELE02
710H	Input Speed Sensor .....	00-ON	1	4HP16.ELE03
<b>VALVE BODY PARTS</b>				
<b>HARD PARTS</b>				
800A	Oil Pump Assembly.....	00-ON	1	4HP16.PUM01
807B	Bearing Assy, Output Gear .....	00-ON	1	4HP16.GE02
816C	Gear, Idler .....	00-ON	1	4HP16.GE01
823D	'C' Brake Cylinder .....	00-ON	1	4HP16.DRU01
829E	Rear Planet Sun Gear Shell.....	00-ON	1	4HP16.SUN01
<b>SPECIAL ITEMS</b>				
<b>TOOLS &amp; MANUALS</b>				



THE AUTOMATIC TRANSMISSION PARTS WAREHOUSE