

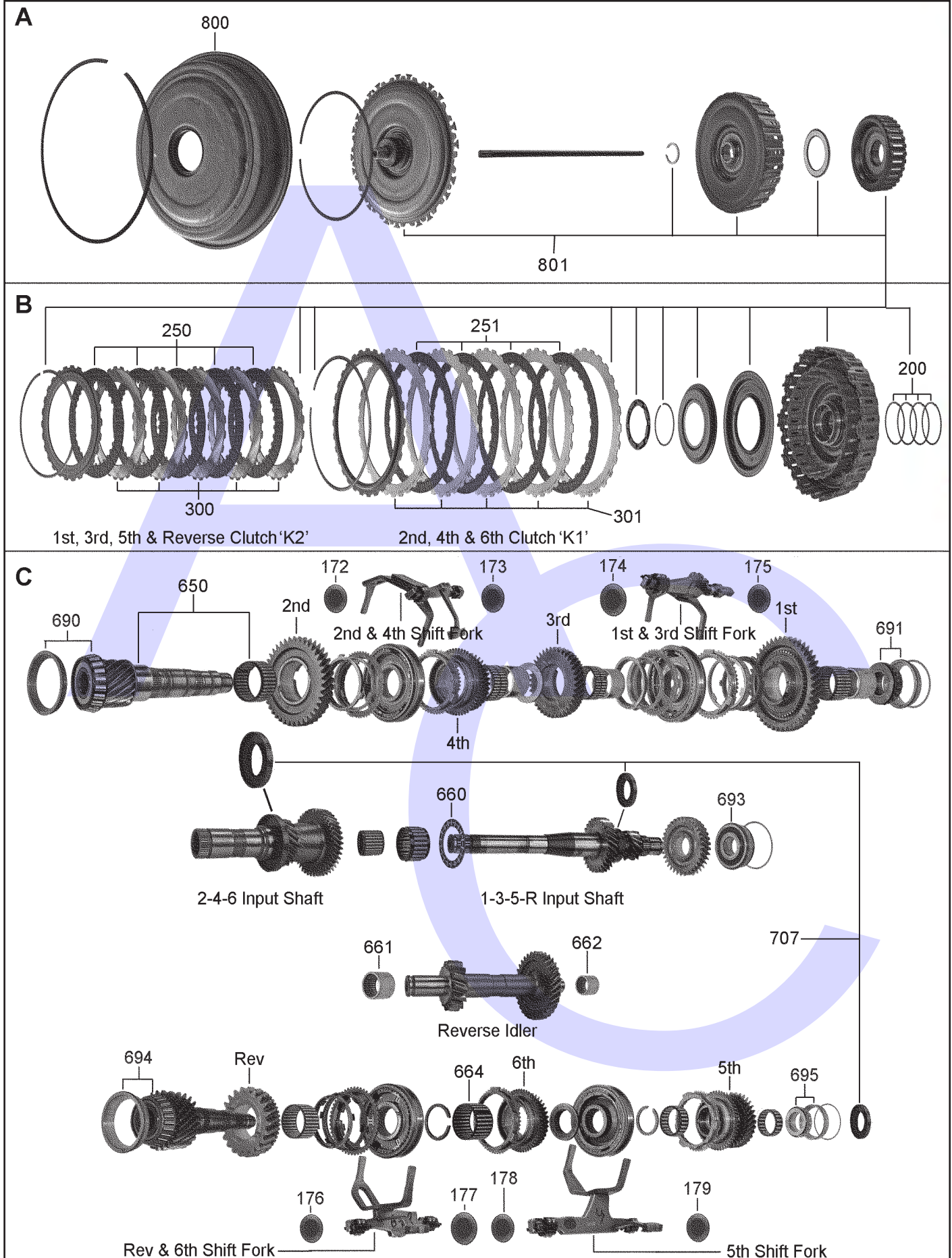
02E Direct Shift Gearbox (DSG) Twin Clutch 6 Speed FWD (Electronic Control)



AUTOMATIC CHOICE



THE AUTOMATIC TRANSMISSION PARTS WAREHOUSE



02E Direct Shift Gearbox (DSG) Twin Clutch 6 Speed FWD (Electronic Control)

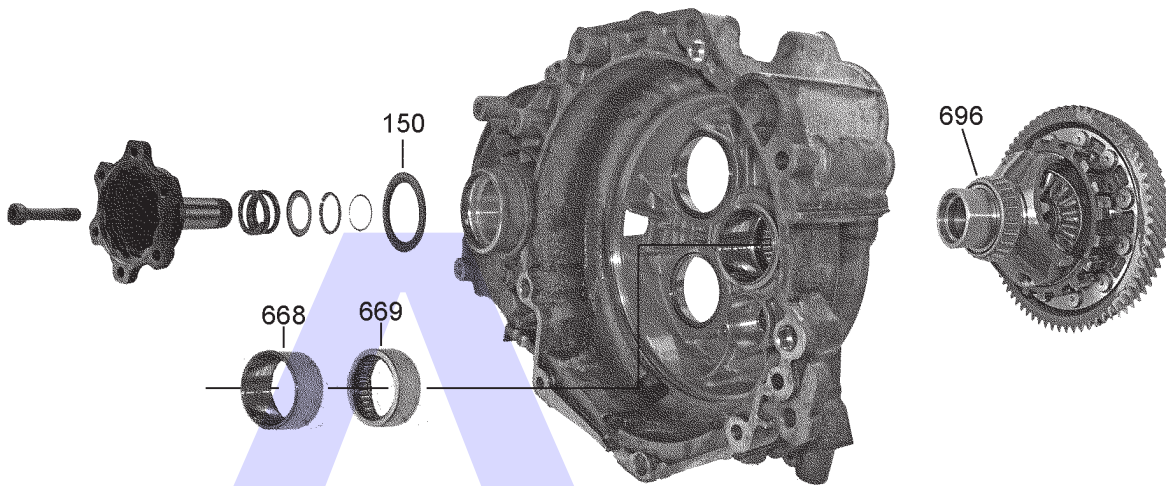


AUTOMATIC CHOICE

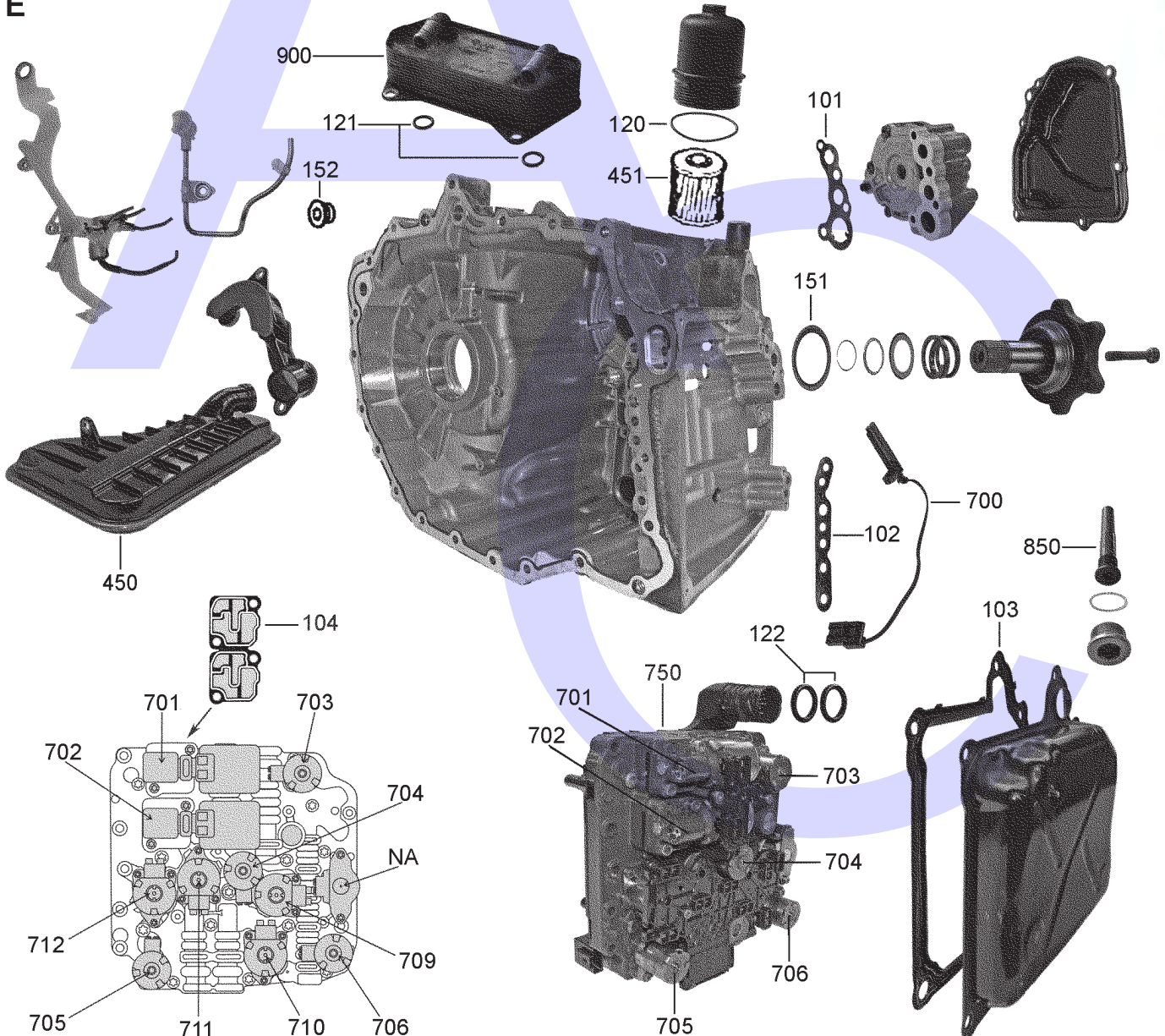


THE AUTOMATIC TRANSMISSION PARTS WAREHOUSE

D



E



02E Direct Shift Gearbox (DSG) Twin Clutch 6 Speed FWD (Electronic Control)



AUTOMATIC CHOICE

ILL NO.	DESCRIPTION	YEARS	QTY	PART NO
KITS				
Kit	Overhaul Kit (OEM).....	06-ON	1	DSG.OHK01
Kit	Overhaul Kit (Transtec®) With Cover & Shift Rail Pistons	06-ON	1	DSG.OHK02
Kit	Overhaul Kit (Precision) (With Pistons).....	06-ON	1	DSG.OHK51
Kit	Overhaul Kit (Precision) (Without Pistons).....	06-ON	1	DSG.OHK52
GASKETS				
101E	Gasket, Oil Pump.....	06-ON	1	DSG.GAS02
102E	Gasket, Case to Case (Bonded Rubber)	06-ON	1	DSG.GAS04
103E	Gasket, Valve Body Cover	06-ON	1	DSG.GAS01
104E	'K1'/'K2' Solenoid Filter Screen/Gasket	06-ON	1	DSG.GAS06
NI	Valve Body, Upper	06-ON	1	DSG.GAS07
NI	Valve Body, Lower	06-ON	1	DSG.GAS08
RUBBER COMPONENTS				
120E	'O' Ring, External Filter	06-ON	1	DSG.OR01
121E	'O' Ring, Cooler to Casing.....	06-ON	2	DSG.OR02
122E	'O' Ring, (Electrical Case Connector)	06-ON	2	DSG.OR03
METAL CLAD SEALS				
150D	Drive Shaft R/H (2WD) (50mm x 65mm x 8mm)	06-ON	1	DSG.MCS03
150D	Drive Shaft R/H (4WD) (54mm x 73mm x 8mm)	06-ON	1	DSG.MCS07
151E	Drive Shaft L/H (60mm x 74.3mm x 8mm)	06-ON	1	DSG.MCS02
152E	Selector Shaft	06-ON	1	DSG.MCS04
MOULDED PISTONS				
Kit	Piston Kit, including Front Cover (Precision).....	06-ON	1	DSG.PISKIT51
Kit	Piston Kit, Shift Rail (Transtec) .	06-ON	1	DSG.PISKIT05
172C	4th Apply/2nd Release (21.80mm OD)	06-ON	1	DSG.PIS01
173C	2nd Apply/4th Release (21.80mm OD)	06-ON	1	DSG.PIS01
174C	1st Apply/3rd Release (24.50mm OD)	06-ON	1	DSG.PIS02
175C	3rd Apply/1st Release (21.80mm OD)	06-ON	1	DSG.PIS01
176C	6th Apply/Rev Release (21.80mm OD)	06-ON	1	DSG.PIS01
177C	Rev Apply/6th Release (24.50mm OD)	06-ON	1	DSG.PIS02
178C	5th Apply (21.80mm OD)	06-ON	1	DSG.PIS01
179C	5th Release (21.80mm OD)	06-ON	1	DSG.PIS01
SEALING RINGS				
Kit	Sealing Ring (Transtec)	06-ON	1	DSG.SRK01
200B	Double Clutch Drum.....	06-ON	4	DSG.SSR01

ILL NO.	DESCRIPTION	YEARS	QTY	PART NO
FRICTION PLATES				
Kit	Friction Plate	06-ON	1	DSG.FRK01
250B	'K2' Clutch (1.80mm).....	06-ON	5	DSG.FRP02
251B	'K1' Clutch (2.29mm).....	06-ON	4	DSG.FRP01
STEEL PLATES				
Kit	Steel Plate Kit	06-ON	1	DSG.STK01
300B	'K2' Clutch (1.47mm).....	06-ON	5	DSG.STP02
300B	'K2' Clutch (2.00mm).....	06-ON	4	DSG.STP03
301B	'K1' Clutch (2.29mm).....	06-ON	5	DSG.STP01
PRESSURE PLATES				
SPRINGS & CIRCLIPS				
FILTERS				
450E	Filter (Internal Pick Up) (Pick-up aperture in corner)	06-ON	1	DSG.FIL02
450E	Filter (Internal Pick Up) (Pick-up aperture toward middle) Click here for illustrations	06-ON	1	DSG.FIL04
451E	Filter (External Cartridge Element)	06-ON	1	DSG.FIL01
BUSHINGS				
THRUST WASHERS & BEARINGS				
Kit	Bearing & Seal, (6 Bearings)	06-ON	1	DSG.BSK01
650C	Sleeve & Bearing, 2nd Gear	06-On	1	DSG.BE10
660C	Radial Bearing, 1-3-5-R Input Shaft to 2-4-6 Input Shaft (41mm x 60mm x 5mm)	06-On	1	DSG.BE12
661C	Needle Bearing, (Front) (Reverse Idler)	06-On	1	DSG.BE05
662C	Needle Bearing, (Rear) (Reverse Idler)	06-On	1	DSG.BE06
664C	Needle Bearing, 6th Gear (36mm x 41mm x 26mm)	06-On	1	DSG.BE11
668D	Sleeve, Clutch Distributor to Bell Housing.....	06-On	1	DSG.SL01
669D	Roller Bearing, 2-4-6 input shaft to Bell Housing (38mm x 52mm x 17.30mm)	06-On	1	DSG.BE13
690C	Taper Bearing (Front) (1st, 2nd, 3rd & 4th Shaft).....	06-On	1	DSG.BE01
691C	Taper Bearing (Rear) (1st, 2nd, 3rd & 4th Shaft).....	06-On	1	DSG.BE02
693C	Ball Bearing, Input Shaft (Rear)	06-On	1	DSG.BE08
694C	Taper Bearing (Front) (5th, 6th & Reverse Shaft)	06-On	1	DSG.BE07
695C	Taper Bearing (Rear) (5th, 6th & Reverse Shaft)	06-On	1	DSG.BE04
696D	Taper Bearing, Differential (45.20mm x 73mm x 19.50mm) 06-ON	06-ON	1	DSG.BE24
NI	Inner Race (24mm x 27mm x 18mm)	06-ON	1	DSG.BE09



THE AUTOMATIC TRANSMISSION PARTS WAREHOUSE

02E Direct Shift Gearbox (DSG) Twin Clutch 6 Speed Transverse FWD (Electronic Control)



AUTOMATIC CHOICE



THE AUTOMATIC TRANSMISSION PARTS WAREHOUSE

ILL NO.	DESCRIPTION	YEARS	QTY	PART NO
THRUST WASHERS & BEARINGS Cont...				
NI	Caged Bearing (39mm x 44mm x 27mm)	06-ON	1	DSG.BE14
NI	Caged Bearing (28mm x 33mm x 13mm)	06-ON	1	DSG.BE15
NI	Caged Bearing (30mm x 35mm x 13mm)	06-ON	1	DSG.BE16
NI	Axial Bearing (25mm x 44.72mm x 7mm)	06-ON	1	DSG.BE17
NI	Needle Bearing (36mm x 48mm x 32mm)	06-ON	1	DSG.BE18
NI	Drawn Cup Roller Bearing (25mm x 37mm x 26mm)	06-ON	1	DSG.BE19
NI	Caged Bearing (34mm x 41mm x 26mm)	06-ON	1	DSG.BE20
NI	Needle Bearing (39mm x 50mm x 25.90mm)	06-ON	1	DSG.BE21
NI	Drawn Cup Roller Bearing (23mm x 36mm x 11mm)	06-ON	1	DSG.BE22
NI	Roller Bearing, Crown Wheel Side (2WD)	06-ON	1	DSG.BE23
ELECTRICAL COMPONENTS				
700E	Speed Sensor, Input & Clutch Oil Temp Sensor	06-ON	1	DSG.ELE04
701E	Pressure Control Solenoid 2 (N216, 'K2' Clutch)	06-ON	1	DSG.SOL01
702E	Pressure Control Solenoid 1 (N215, 'K1' Clutch)	06-ON	1	DSG.SOL01
703E	Pressure Control Solenoid 3 (N217, Main Line)	06-ON	1	DSG.SOL02
704E	Pressure Control Solenoid 4 (N218, Cooling Oil)	06-ON	1	DSG.SOL02
705E	Pressure Control Solenoid 6 (N371, Safety 2)	06-ON	1	DSG.SOL03
706E	Pressure Control Solenoid 5 (N233, Safety 1)	06-ON	1	DSG.SOL03
707C	Sensor Ring Set (Set of 3)	06-ON	1	DSG.ELE01
709E	Gear Actuator Solenoid (N89, Solenoid valve 2)	06-ON	1	DSG.SOL04
710E	Gear Actuator Solenoid (N88, Solenoid valve 1)	06-ON	1	DSG.SOL04
711E	Gear Actuator Solenoid (N90, Solenoid valve 3)	06-ON	1	DSG.SOL04
712E	Gear Actuator Solenoid (N91, Solenoid valve 4)	06-ON	1	DSG.SOL04
VALVE BODY PARTS				
750E	Mechatronic Unit, Various (Vehicle Details Required)	06-ON	1	DSG.VBxx Mechatronic Units, Important Note.
750A	Mechatronic Unit (Own Unit Repair)	08-ON	1	DSG.VB31

ILL NO.	DESCRIPTION	YEARS	QTY	PART NO
HARD PARTS				
800A	Front Cover Plate (OEM)	06-ON	1	DSG.COV01
800A	Front Cover Plate (MFC)	06-ON	1	DSG.COV02
801A/B	Dual Clutch Drum Assembly (Complete)	06-ON	1	DSG.DRU01
850E	Oil Level Tube (87mm) (Fits Codes HLH, HFQ, HGN, HQM, HQN, HQL, HUV, HXU, HXV, HXC, HXS, HXT, HXZ, JPJ, JPK, JPL, JPQ)	06-ON	1	DSG.TU03
850E	Oil Level Tube (96mm) (Fits Codes HUV, HXZ, JBT, JPZ, JPS, KDC)	06-ON	1	DSG.TU04
NI	Park Pawl Assembly	06-ON	1	DSG.PAL01
SPECIAL ITEMS				
900E	Heat Exchanger	06-ON	1	DSG.COO01
NI	Dual Mass Flywheel (1.9Ltr Diesel VAG)	06-ON	1	DSG.FLY10
NI	Dual Mass Flywheel (2.0 PD / PPD & 2.0 16v Common Rail TDi)	06-ON	1	DSG.FLY13
NI	Dual Mass Flywheel (2.0Ltr Petrol VAG)	06-ON	1	DSG.FLY17
NI	Dual Mass Flywheel (VAG 1.4Ltr FSi/TSi, 06F 105 266N)	06-ON	1	DSG.FLY15
NI	Dual Mass Flywheel (Golf VR6 Code: HXZ)	06-ON	1	DSG.FLY16
Note: Vehicle details will be required for correct application of Dual Mass Flywheels.				
Oil	Special Fluid Required For 02E Transmission			
	1 Litre Bottle	01-ON	AR	DSG.OIL01
	20 Litre Canister	01-ON	AR	DSG.OIL02
Note: Initial filling approx. 7.2 Ltr. Oil change, approx 5.5 Ltr.				
TOOLS & MANUALS				
Click here to view special tools for this transmission				