

# VW 01P & 099

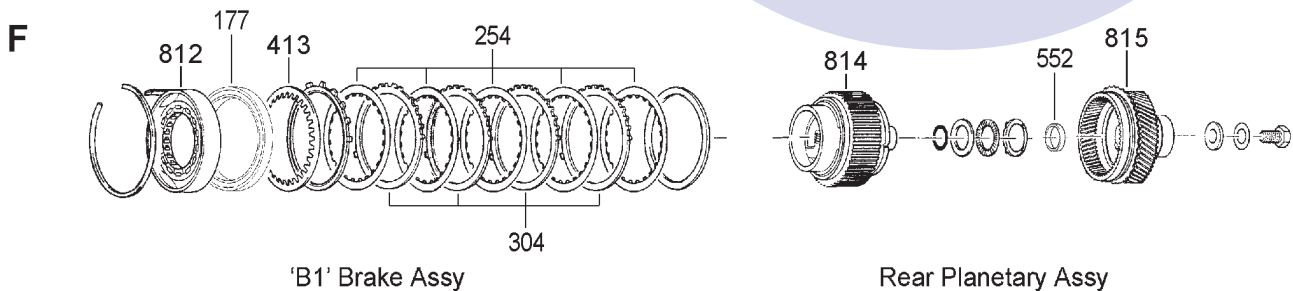
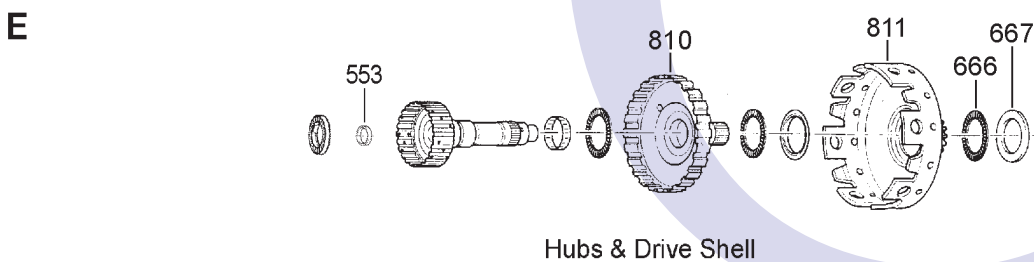
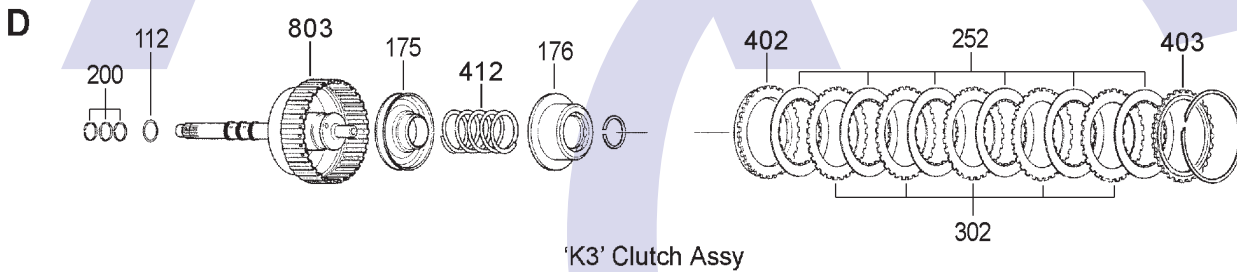
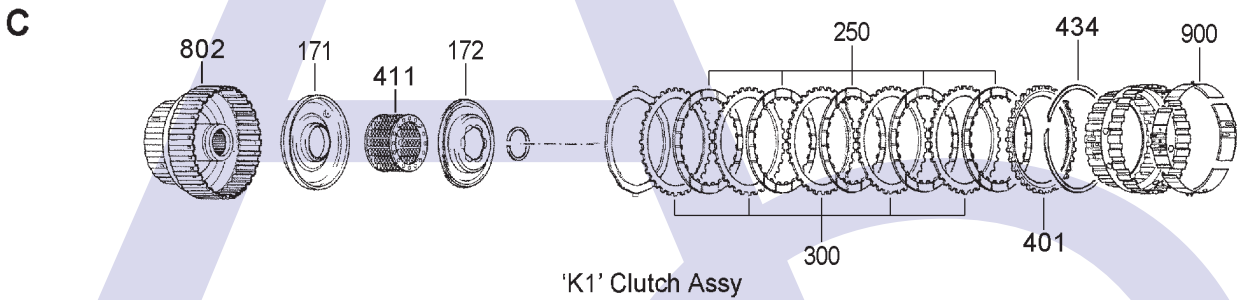
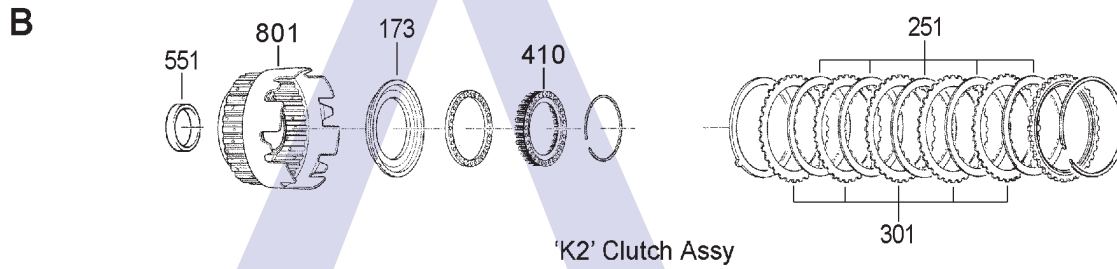
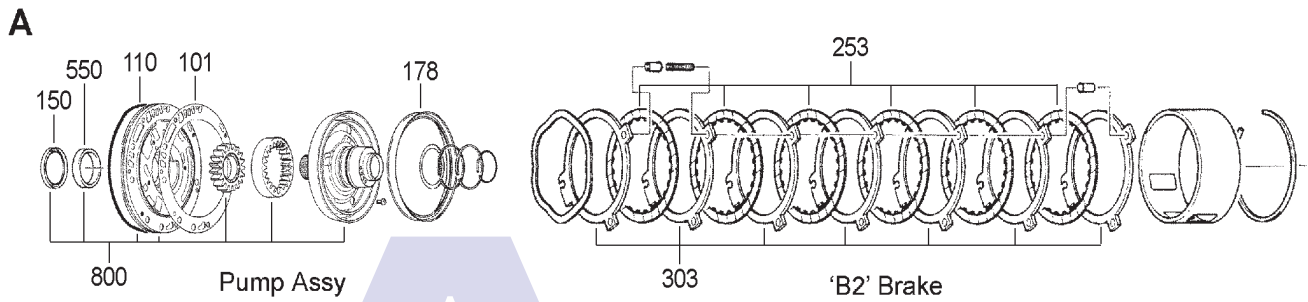
## 4 SPEED FWD (Electronic Control) With LU Converter



AUTOMATIC CHOICE



THE AUTOMATIC TRANSMISSION PARTS WAREHOUSE



# VW 01P & 099

## 4 SPEED FWD (Electronic Control) With LU Converter

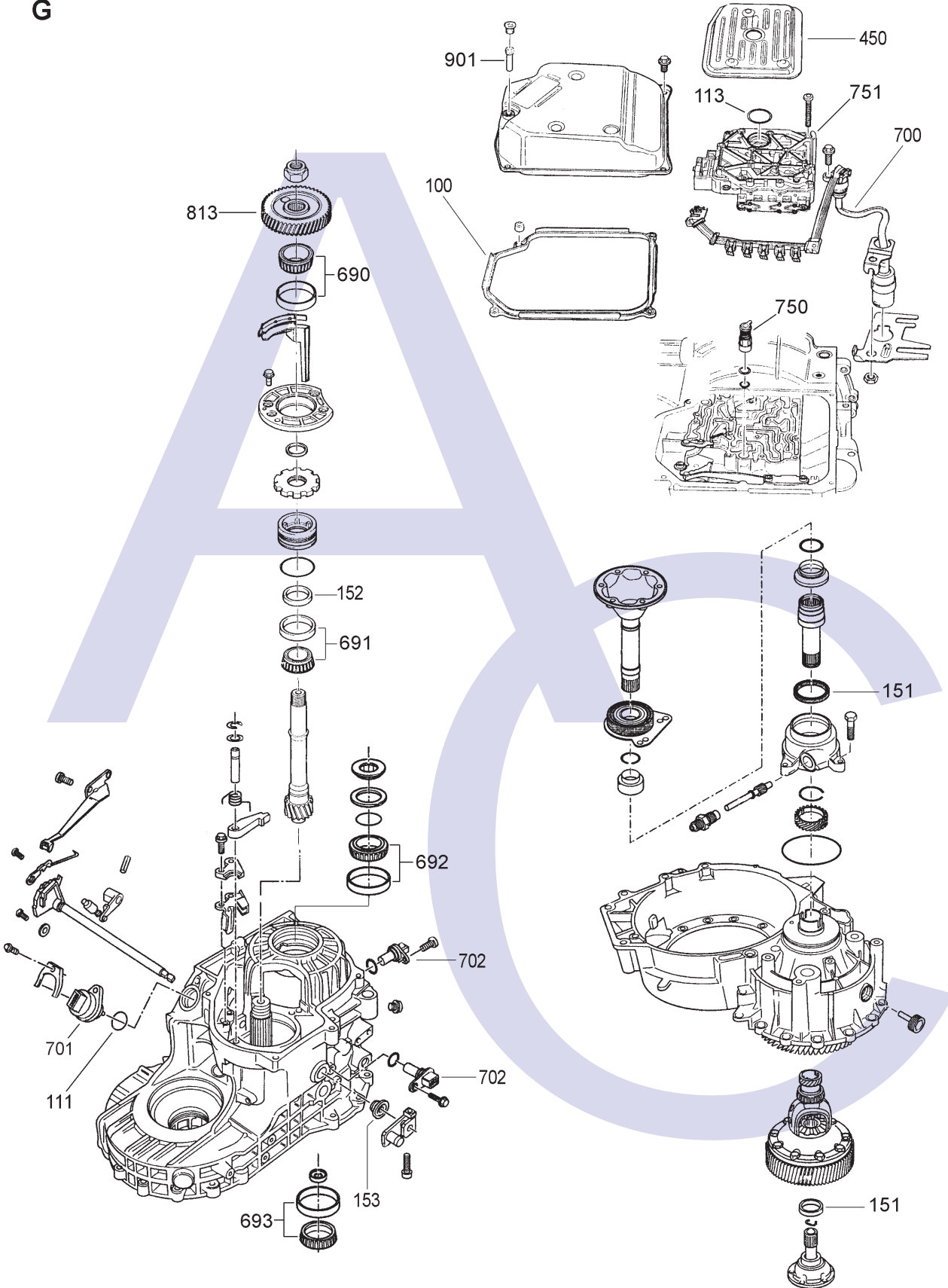


AUTOMATIC CHOICE



THE AUTOMATIC TRANSMISSION PARTS WAREHOUSE

G



Case Valve Body & Diff Components

# VW 01P & 099

## 4 SPEED FWD (Electronic Control) With LU Converter



AUTOMATIC CHOICE



THE AUTOMATIC TRANSMISSION PARTS WAREHOUSE

ILL NO.	DESCRIPTION	YEARS	QTY	PART NO
<b>KITS</b>				
Kit	Overhaul Kit (Transtec) (Without Pistons).....	95-ON	1	<b>AG4.OHK03</b>
Kit	Overhaul Kit (Precision) (Without Pistons).....	95-ON	1	<b>AG4.OHK58</b>
<b>GASKETS</b>				
100G	Pan Gasket .....	95-ON	1	<b>AG4.GAS05</b>
101A	Pump Gasket .....	95-ON	1	<b>AG4.GAS03</b>
	NI .....			Rear Cover Gasket
95-ON	1 .....			<b>AG4.GAS06</b>
NI	Solenoid Gasket.....	95-ON	7	<b>AG4.GAS07</b>
<b>RUBBER COMPONENTS</b>				
110A	Pump O Ring .....	95-ON	1	<b>AR4.OR01</b>
	111G.....			Multi Function 'O' Ring
90-ON	1 .....			<b>AG4.OR06</b>
112D	'E1' to 'E3' 'O' Ring.....	95-ON	1	<b>AG4.OR05</b>
113G	Seal, Oil Filter .....	95-ON	1	<b>AG4.GAS13</b>
NI	Internal Loom Case			
	Connector 'O' Ring.....	95-ON	1	<b>AG4.OR07</b>
NI	Oil Cooler to Bolt 'O' Ring .....	95-ON	2	<b>AG4.OR02</b>
	NI .....			Oil Cooler to Case 'O' Ring
95-ON	2 .....			<b>AG4.OR03</b>
NI	Dipstick Tube 'O' Ring.....	95-ON	1	<b>AG4.OR04</b>
<b>METAL CLAD SEALS</b>				
150A	Converter Seal.....	95-ON	1	<b>AG4.MCS01</b>
151G	Drive Shaft Seal.....	95-ON	2	<b>VW010.MCS03</b>
152G	Pinion Seal.....	95-ON	1	<b>AG4.MCS05</b>
	153G .....			Selector Shaft Seal
95-ON	1 .....			<b>AD4.MCS03</b>
154G	Drive Shaft End Plug.....	95-ON	2	<b>AD4.MCS05</b>
<b>MOULDED PISTONS</b>				
NI	Piston Kit.....	95-ON	1	<b>AG4.PISKIT01</b>
171C	'K1' Piston .....	95-ON	1	<b>AG4.PIS06</b>
172C	'K1' Damper Piston .....	95-ON	1	<b>AG4.SPR01</b>
173B	'K2' Piston .....	95-ON	1	<b>AG4.PIS02</b>
175D	'K3' Piston .....	95-ON	1	<b>AG4.PIS07</b>
176D	'K3' Damper Piston .....	95-ON	1	<b>AG4.SPR02</b>
177F	'B1' Piston .....	95-ON	1	<b>AG4.PIS04</b>
178A	'B2' Piston .....	95-ON	1	<b>AG4.PIS05</b>
<b>SEALING RINGS</b>				
Kit	Sealing Ring Kit (Transtec) .....	95-ON	1	<b>AR4.SRK01</b>
Kit	Sealing Ring Kit (Bryco).....	95-ON	1	<b>AR4.SRK02</b>
200D	Input Shaft.....	95-ON	3	<b>AG4.SSR01</b>
204A	Stator Support Rear .....	95-ON	1	<b>AG4.SSR04</b>
205A	Stator Support Front .....	95-ON	2	<b>AG4.SSR05</b>
<b>FRICION PLATES</b>				
Kit	Friction Plate (104mm OD 'E3' Clutch) .....	95-ON	1	<b>AR4.FRK02</b>
Kit	Friction Plate (Alto) (104mm OD 'E3' Clutch) .....	95-ON	1	<b>AR4.FRK54</b>
250C	Forward Clutch ('K1') (122mm OD x 1.60mm x 24T) ..	95-ON	4-5	<b>AR4.FRP11</b>

ILL NO.	DESCRIPTION	YEARS	QTY	PART NO
<b>FRICION PLATES Cont...</b>				
250C	Forward Clutch ('K1') (Alto) (122mm OD x 1.60mm x 24T) ..	90-ON	4-5	<b>AR4.FRP51</b>
251B	Direct Clutch ('K2') (122mm OD x 1.60mm x 24T) ..	95-ON	4-5	<b>AR4.FRP11</b>
251B	Direct Clutch ('K2') (Alto) (122mm OD x 1.60mm x 24T) ..	90-ON	4-5	<b>AR4.FRP51</b>
252D	3-4 Clutch ('K3') (104mm OD x 1.60mm x 22T) ..	95-ON	6	<b>AR4.FRP15</b>
252D	3-4 Clutch ('K3') (Alto) (104mm OD x 1.60mm x 22T) ..	95-ON	6	<b>AR4.FRP55</b>
252D	3-4 Clutch ('K3') ( <b>One Sided Internal Teeth</b> ) (103mm OD x 1.24mm x 22T) ..	00-03	7	<b>AR4.FRP21</b>
253A	2-4 Brake ('B2') (154mm x 1.60mm x 32T).....	95-ON	4-6	<b>AR4.FRP12</b>
253A	2-4 Brake ('B2') (Alto) (154mm x 1.60mm x 32T).....	95-ON	4-6	<b>AR4.FRP52</b>
254F	Low & Reverse Brake ('B1') (146mm OD x 1.60mm x 50T) ..	95-ON	4-5	<b>AR4.FRP13</b>
254F	Low & Reverse Brake ('B1') (Alto) (146mm OD x 1.60mm x 50T) ..	90-ON	4-5	<b>AR4.FRP53</b>
254F	Low & Rev Brake ('B1') Grooved (146mm OD x 1.60mm x 50T) ..	97-ON	4-5	<b>AR4.FRP16</b>
<b>STEEL PLATES</b>				
Kit	Steel Plate (Alto).....	95-ON	1	<b>AG4.STK54</b>
300C	Forward Clutch ('K1') (104MM ID x 1.50mm x 32T) ....	95-ON	4-5	<b>AR4.STP09</b>
301B	Direct Clutch ('K2') (104mm ID x 2.00mm x 32T) ....	95-ON	4-5	<b>AR4.STP01</b>
302D	3-4 Clutch ('K3') (72mm ID x 1.45mm x 28T) .....	95-ON	4-6	<b>AR4.STP12</b>
302D	3-4 Clutch ('K3') (72mm ID x 1.60mm x 28T) .....	95-ON	4-6	<b>AR4.STP05</b>
302D	3-4 Clutch ('K3') (72mm ID x 2.00mm x 28T) .....	90-ON	4-6	<b>AR4.STP10</b>
302D	3-4 Clutch ('K3') ( <b>One Sided External Teeth</b> ) (72mm ID x 1.22mm x 28T) .....	00-03	7	<b>AR4.FRP22</b>
303A	2-4 Brake ('B2') (136mm ID x 2.00mm x 3T) .....	95-ON	AR	<b>AR4.STP02</b>
303A	2-4 Brake ('B2') (136mm ID x 2.15mm x 3T) .....	95-ON	AR	<b>AR4.STP13</b>
303A	2-4 Brake ('B2') (136mm ID x 2.40mm x 3T) .....	95-ON	AR	<b>AR4.STP14</b>
303A	2-4 Brake ('B2') (136mm ID x 2.66mm x 3T) .....	95-ON	AR	<b>AR4.STP15</b>
303A	2-4 Brake ('B2') (136mm ID x 3.00mm x 3T) .....	95-ON	AR	<b>AR4.STP16</b>
303A	2-4 Brake ('B2') (136mm ID x 3.50mm x 3T) .....	95-ON	AR	<b>AR4.STP07</b>
303A	2-4 Brake ('B2') (136mm ID x 3.75mm x 3T) .....	95-ON	AR	<b>AR4.STP08</b>
304F	Low & Reverse Brake ('B1') (129mm ID x 2.00mm x 12T) ....	95-ON	4-5	<b>AR4.STP03</b>
304F	Low & Reverse Brake ('B1') (129mm ID x 1.40mm x 12T) ....	96-ON	4-5	<b>AR4.STP11</b>
<b>PRESSURE PLATES</b>				
401C	Pressure Plate 'K1' Top.....	95-ON	1	<b>AR4.PP01</b>
402D	Pressure Plate 'K3' Bottom (Replacement for OEM) .....	95-ON	1	<b>AG4.PP01</b>
403D	Pressure Plate, 'K3' Top ( <b>For One sided Friction Pack</b> ) .....	00-03	1	<b>AR4.FRP23</b>

# VW 01P & 099

## 4 SPEED FWD (Electronic Control) With LU Converter



AUTOMATIC CHOICE



THE AUTOMATIC TRANSMISSION PARTS WAREHOUSE

ILL NO.	DESCRIPTION	YEARS	QTY	PART NO
<b>SPRINGS &amp; CIRCLIPS</b>				
410B	Spring Assy, 'K2' Clutch .....	95-ON	1	<b>AG4.SPR05</b>
411C	Spring Assy, 'K1' Clutch .....	95-ON	1	<b>AG4.SPR01</b>
412D	Spring, 'K3' Clutch.....	95-ON	1	<b>AG4.SPR02</b>
413F	'B1' Brake Diaphragm Spring....	95-ON	1	<b>AG4.DIA01</b>
434C	Circlip 'K1' Clutch Retaining (1.60mm).....	95-ON	1	AG4.CIR02
	(1.80mm).....	95-ON	1	AG4.CIR03
	(2.00mm).....	95-ON	1	AG4.CIR01
	(2.20mm).....	95-ON	1	AG4.CIR04
<b>FILTERS</b>				
NI	Filter Kit.....	95-ON	1	<b>AG4.FILKIT06</b>
450G	Filter (Aftermarket).....	95-ON	1	<b>AG4.FIL03</b>
450G	Filter (OEM) .....	95-ON	1	<b>AG4.FIL13</b>
<b>BUSHES &amp; BEARINGS</b>				
Kit	Bush Kit (7 Pieces) .....	90-ON	1	<b>AD4.BK01</b>
550A	Pump Bush .....	90-ON	1	<b>AG4.BUS01</b>
551B	Bush 'K2' Drum .....	90-ON	1	<b>AG4.BUS02</b>
552F	Bush Planetary to O.Shaft .....	90-ON	1	<b>AG4.BUS03</b>
553E	Bush 'K3' Drum to Hub .....	90-ON	1	<b>AG4.BUS04</b>
<b>THRUST WASHERS &amp; BEARINGS</b>				
600B	Thrust Washer 'K1' to 'K2' (1.00mm Brown Plastic).....	95-ON	1	<b>AG4.THW01</b>
600B	Thrust Washer 'K1' to 'K2' (1.20mm Green Plastic).....	95-ON	1	<b>AG4.THW02</b>
600B	Thrust Washer 'K1' to 'K2' (1.40mm Natural Plastic).....	95-ON	1	<b>AG4.THW03</b>
600B	Thrust Washer 'K1' to 'K2' (1.60mm Black Plastic) .....	95-ON	1	<b>AG4.THW04</b>
600B	Thrust Washer 'K1' to 'K2' (1.80mm Grey Plastic) .....	95-ON	1	<b>AG4.THW05</b>
601A	Thrust Washer (Pump Stator to 'K2').....	95-ON	1	<b>AR4.THW01</b>
666E	Radial Needle Bearing Large S.Gear to Small S.Gear..	95-ON	1	<b>AG4.TOR01</b>
667E	Thrust Plate for AG4.TOR01 .....	95-ON	1	<b>AG4.TOR02</b>
690G	Transfer Gear Bearing .....	95-ON	1	<b>AG4.BE08</b>
691G	Pinion Bearing.....	95-ON	1	<b>AG4.BE01</b>
692G	Ringear (Rear) (41mm x 72mm x 17.60mm).....	99-ON	1	<b>AG4.BE09</b>
693G	Ringear (Front) (41mm x 72mm x 17.60mm).....	99-ON	1	<b>AG4.BE09</b>
NI	Thrust Washer (Spherical Diff Cage/Planet) ....	95-ON	1	<b>AG4.THW06</b>
<b>ELECTRICAL COMPONENTS</b>				
700G	Solenoid Loom (OEM) .....	95-ON	1	<b>AG4.ELE04</b>
700G	Solenoid Loom (Aftermarket)....	95-ON	1	<b>AG4.ELE34</b>
700G	Solenoid Loom (Rostra®) (10 Pin Universal Type).....	90-ON	1	<b>AG4.ELE14</b>
701G	Multi Function Switch (Rectangular Connector).....	95-ON	1	<b>AG4.ELE05</b>
701G	Multi Function Switch (Rectangular connector rounded at one end, with squared off end facing mounting hole) .....	95-ON	1	<b>AG4.ELE06</b>
701G	Multi Function Switch (Rectangular connector rounded at one end, with squared off end at 90 deg to mounting hole) .....	95-ON	1	<b>AG4.ELE10</b>

ILL NO.	DESCRIPTION	YEARS	QTY	PART NO
<b>ELECTRICAL COMPONENTS Cont...</b>				
702G	Speed Sensor (2 Pin Connector).....	95-ON	AR	<b>AG4.ELE11</b>
702G	Speed Sensor (Output) (3 Pin Oval Plug With Loom).....	95-ON	1	<b>AG4.ELE12</b>
NI	EPC Solenoid.....	95-ON	1	<b>AG4.SOL01</b>
NI	EPC Solenoid (Aftermarket).....	95-ON	1	<b>AG4.SOL11</b>
NI	Lock Up Solenoid.....	95-ON	1	<b>AG4.SOL01</b>
NI	Lock Up Solenoid (Aftermarket).....	95-ON	1	<b>AG4.SOL11</b>
NI	Shift Solenoid.....	95-ON	6	<b>AG4.SOL02</b>
NI	Shift Solenoid (Aftermarket).....	95-ON	6	<b>AG4.SOL12</b>
NI	Plug, Vehicle Loom to Transmission Harness (Fits on Vehicle Loom) .....	95-ON	1	<b>AG4.ELE15</b>
<b>VALVE BODY PARTS</b>				
Kit	Sure Cure Kit® (Sonnax®) Requires the following tools (AG4.VA07, AG4.VA04, AG4.VA11, AG4.VA09 & AG4.VA05) ( <a href="#">Click Here for Details</a> ).....	95-ON	1	<b>AG4.SCK01</b>
Kit	Shift Valve End Plug Kit, Replaces OEM (Sonnax® <a href="#">Click here for Info</a> ) ...	90-ON	1	<b>AG4.PLU02</b>
Kit	Torque Converter Lock Up Boost Valve Kit (Sonnax) (Cures Stall in drive condition) ..	95-ON	1	<b>AG4.VA01</b>
Kit	Torque Converter Lock Up Boost Valve Kit (OEM) (Cures Stall in drive condition) ..	95-ON	1	<b>AG4.VA02</b>
Kit	Oversized TCC Apply Valve Kit (Requires Tool AG4.VA04) (Sonnax®).....	95-ON	1	<b>AG4.VA03</b>
Kit	Reamer & Jig for AG4.VA03 (Sonnax®).....	95-ON	1	<b>AG4.VA04</b>
Kit	Oversized Solenoid Regulator Valve (Requires Tool AG4.VA09) (Sonnax®).....	95-ON	1	<b>AG4.VA08</b>
Kit	Reamer, Jig & Guide Pin for AG4.VA08 (Sonnax®) † .....	95-ON	1	<b>AG4.VA09</b>
Kit	Overize Boost Regulator Valve (Requires Tool AG4.VA11) (Sonnax®).....	95-ON	1	<b>AG4.VA10</b>
Kit	Reamer, Jig, Guide Pin & Adjustment Tool for AG4.VA10 (Sonnax®) † .....	95-ON	1	<b>AG4.VA11</b>
Kit	Oversized Main Regulator Valve (Requires Tool AG4.VA07) (Sonnax®).....	95-ON	1	<b>AG4.VA12</b>
Kit	Reamer, Jig & Guide Pin for AG4.VA12 (Sonnax®) † .....	95-ON	1	<b>AG4.VA07</b>
750G	'F1' Feed Tube (52mm Long)....	95-ON	1	<b>AG4.TU04</b>
751G	Valve Body Assembly (Transmission Code Required) .	95-ON	1	<b>AG4.VBxx</b>
NI	Valve End Plug, Medium (Aluminium) (Sonnax® <a href="#">Click here for Info</a> ) ...	95-ON	2	<b>AG4.PLU06</b>
NI	Plastic Ratcheting Pressure Regulator Control Valve Plug (Requires Tool AG4.TOOL07)...	90-ON	1	<b>AG4.PLU03</b>
NI	Plastic Ratcheting Pressure Regulator Control Valve Plug (Does Not Require Tool)) .....	90-ON	1	<b>AG4.PLU05</b>
NI	Plastic Plug, Main Pressure Regulating Valve .....	95-ON	1	<b>AG4.PLU04</b>
NI	Plastic Valve Retaining Plug (12mm OD, Tan Smallest).....	95-ON	AR	<b>AG4.PLU01</b>
NI	Spring, Valve Body Check ball..	95-ON	1	<b>AG4.SPR03</b>
NI	Spring, TCC Regulator Valve (x 5) (Sonnax® <a href="#">Click for Info</a> ) .....	95-ON	1	<b>AG4.SPR04</b>
† Also Requires Valve Body Reaming Fixture AG4.VA05				

# VW 01P & 099

## 4 SPEED FWD (Electronic Control) With LU Converter



AUTOMATIC CHOICE



THE AUTOMATIC TRANSMISSION PARTS WAREHOUSE

ILL NO.	DESCRIPTION	YEARS	QTY	PART NO
<b>HARD PARTS</b>				
800A	Oil Pump Assembly.....	95-ON	1	AG4.PUM01
801B	'K2' Clutch Drum Assy Exchange.....	95-ON	1	AG4.DRU09
802C	'K1' Clutch Drum Assy Exchange.....	95-ON	1	AG4.DRU02
803D	'K3' Clutch Drum Assy Exchange (5 Plate Unit).....	95-ON	1	AG4.DRU01
803D	'K3' Clutch Drum Assy Exchange (6 Plate Unit).....	95-ON	1	AG4.DRU07
810E	Hub & Shaft 'K1' Clutch.....	95-ON	1	AG4.HUB01
811E	Drive Shell.....	95-ON	1	AG4.POT01
812F	One Way Clutch Assembly .....	95-ON	1	AG4.OWC01
813G	Kit Anulus With Tranfer Gears (Includes 812F & 813G) (51/44 Tooth Count) .....	95-ON	1	AG4.PLK03
814F	Planetary Set .....	95-ON	1	AG4.PL06
815F	Anulus/Drive Gear (51/44 T).....	95-ON	1	AG4.PL07
815F	Kit Anulus With Tranfer Gears (Includes 812F & 813G) (51/44 Tooth Count) .....	95-ON	1	AG4.PLK03
<b>SPECIAL ITEMS</b>				
900C	'K1' Clutch Support Ring (Precision) (Plastic 4 per Trans Narrow) ....	95-ON	4	AG4.RET01
900C	'K1' Clutch Support Ring (Transtec) (Plastic 4 per Trans Narrow) ....	95-ON	4	AG4.RET02
901G	Plastic Level Pipe (In Oil Pan) ..	95-ON	1	AG4.TU03
901G	Plastic Level Pipe (In Oil Pan) (Galaxy) .....	-03/00	1	AG4.TU06
NI	Plastic Valve Body Plug Kit .....	95-ON	1	AG4.PLU02
NI	Dipstick Cap (Red).....	95-ON	1	AG4.TU05
NI	Dipstick Tube .....	95-ON	1	AG4.TU02
NI	Adaptor Kit for External Cooler (Sonnax® <a href="#">Click for Info</a> ).....	95-ON	1	AG4.COO01
<b>TOOLS &amp; MANUALS</b>				
NI	Tranonline Tech Manual .....	95-ON		AG4.MAN03
NI	AG4 Repair Manual .....	95-ON		AG4.MAN05
NI	01P Tiptronic Diagnostic Guide (ATSG Book Version).....	99-On		AG4.MAN06
NI	01P Tiptronic Diagnostic Guide (ATSG CD Version).....	99-On		AG4.MAN07
NI	Valve Body Reaming Fixture (Sonnax ®, Multiple Applications)			AG4.VA05
<p><a href="#">Click here to view special tools for this transmission</a></p>				

ILL NO.	DESCRIPTION	YEARS	QTY	PART NO
---------	-------------	-------	-----	---------