

VOLKSWAGEN 010, 087, 089, 090

3 SPEED FWD (Hydraulic Control)

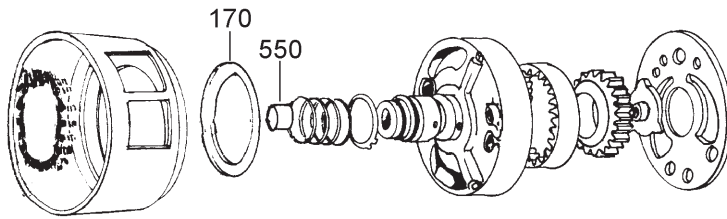


AUTOMATIC CHOICE



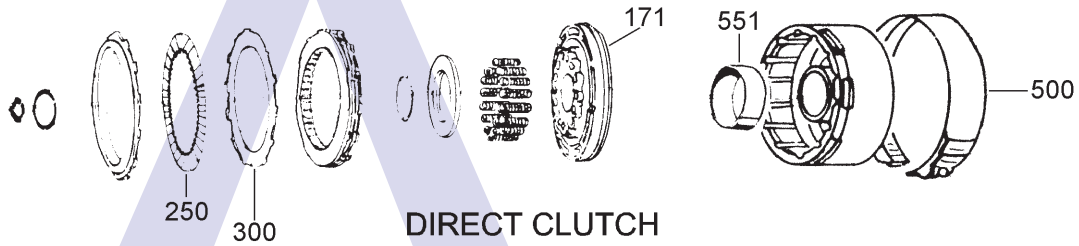
THE AUTOMATIC TRANSMISSION PARTS WAREHOUSE

A



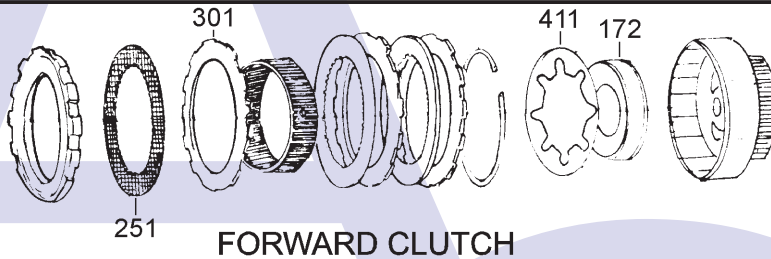
PUMP

B



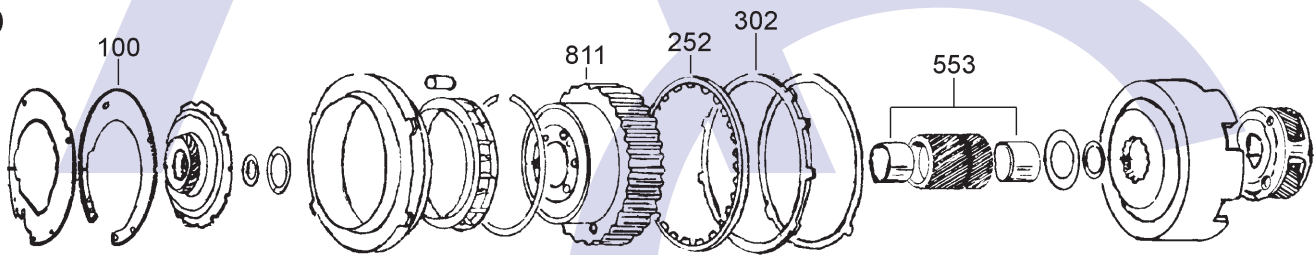
DIRECT CLUTCH

C



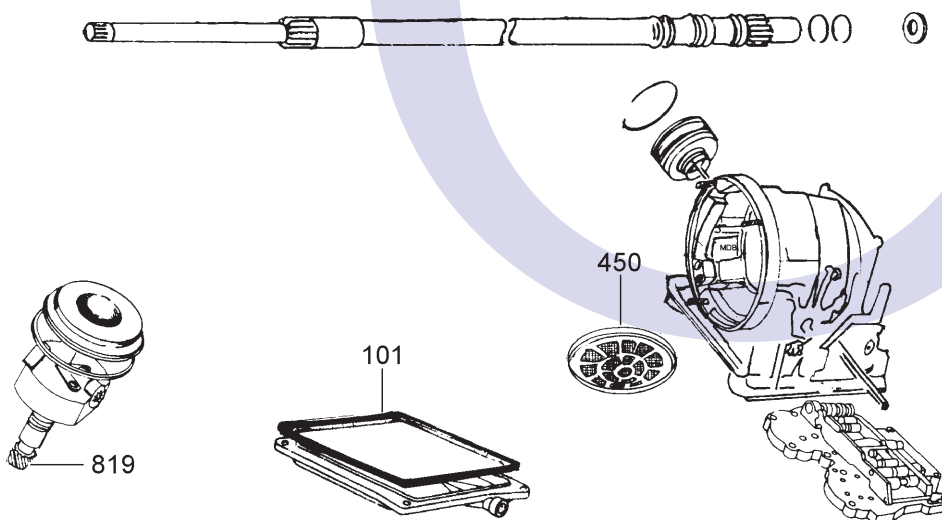
FORWARD CLUTCH

D



PLANET SETS AND LOW REVERSE BRAKE

E



CASE AND PAN

VOLKSWAGEN 010, 087, 089

3 SPEED FWD (Hydraulic Control)



AUTOMATIC CHOICE



THE AUTOMATIC TRANSMISSION PARTS WAREHOUSE

| ILL NO. | DESCRIPTION | YEARS | QTY | PART NO |
|---|---|-------|-----|-------------|
| KITS | | | | |
| Kit | Overhaul Kit 010 Inc. Diff Seals All Transverse (Transtec)..... 75-92 | | 1 | VW010.OHK05 |
| Kit | Overhaul Kit 010 With Final Drive All Transverse (Precision)..... 75-92 | | 1 | VW010.OHK51 |
| Kit | Overhaul Kit 010 Final Drive Only (Precision)..... 75-92 | | 1 | VW010.OHK52 |
| Kit | Overhaul Kit 010 All Transverse (Bryco)..... 75-92 | | 1 | VW010.OHK03 |
| Kit | Overhaul Kit 087 Audi 100LS, 4000, 5 Cylinder 5000 Porsche 924, 944 (Transtec) 77-92 | | 1 | VW010.OHK01 |
| Kit | Overhaul Kit 087, 089, 090 (Precision)..... 77-92 | | 1 | VW087.OHK51 |
| Kit | Overhaul Kit Final Drive Only 087, 089, 090 (Precision)..... 77-92 | | 1 | VW087.OHK52 |
| Kit | Vanagon Sub Kit, For K40900CA Series (Precision)..... 77-92 | | 1 | VW087.OHK53 |
| Kit | Overhaul Kit 089 Audi 80, Passat Etc (Transtec) . 77-92 | | 1 | VW010.OHK04 |
| Kit | Overhaul Combination Kit 087/089 (Bryco) 77-92 | | 1 | VW010.OHK02 |
| Kit | Overhaul Kit Transporter & Caravelle..... All | | 1 | VW010.OHK06 |
| Kit | Gasket & Rubber Kit All 75-92 | | 1 | VW010.GSK01 |
| GASKETS | | | | |
| 100D | Transmission to Differential Separator Plate Gasket..... 75-92 | | 2 | VW010.GAS01 |
| 101E | Pan Gasket (Rubber) 75-92 | | 1 | VW010.GAS02 |
| NI | Diff Cover Gasket Transverse Only..... 75-92 | | 1 | VW010.GAS03 |
| NI | Filter Gasket..... 75-92 | | 1 | VW010.GAS04 |
| RUBBER COMPONENTS | | | | |
| NI | Transmission To Diff O Ring 75-92 | | 1 | VW010.OR01 |
| METAL CLAD SEALS | | | | |
| Aluminium Diff Excluding Transporter/Caravan | | | | |
| NI | Converter Seal..... 75-92 | | 1 | VW010.MCS01 |
| NI | Axle Seal (Except 010) (45mm x 60mm x 8mm)..... 75-92 | | 2 | VW010.MCS03 |
| NI | Axle Seal 010 (36mm x 60mm x 10mm)..... 79-83 | | 2 | VW010.MCS11 |
| NI | Governor (21mm x 32mm x 7mm) 75-92 | | 1 | VW010.MCS06 |
| NI | Pinion Cover Front 087 (26mm x 40mm x 7mm)..... 75-92 | | 2 | VW010.MCS02 |
| NI | Pinion Cover Front 089 (38mm x 26mm x 6mm)..... 75-92 | | 2 | VW010.MCS09 |
| NI | Pinion Cover Front 010, 090 (30mm x 42mm x 7mm)..... 75-92 | | 1 | VW010.MCS08 |
| NI | Pinion Cover Rear 087 (45mm x 62mm x 7mm)..... 75-92 | | 2 | VW010.MCS04 |
| NI | Pinion Cover Rear 089, 090 (38mm x 54mm x 7mm)..... 75-92 | | 2 | VW010.MCS07 |
| NI | Pinion Cover Rear 010 (38mm x 52mm x 7mm)..... 75-92 | | 2 | VW010.MCS05 |

| ILL NO. | DESCRIPTION | YEARS | QTY | PART NO |
|---|--|-------|-----|-------------|
| METAL CLAD SEALS Cont... | | | | |
| Cast Iron Diff Transporter/Caravan | | | | |
| NI | Converter Seal..... 76-87 | | 1 | VW003.MCS01 |
| NI | Axle Seals..... 76-87 | | 2 | VW010.MCS03 |
| NI | Governor Seal..... 76-87 | | 1 | VW003.MCS04 |
| NI | Pinion Cover Rear (38mm x 54mm x 7mm)..... 75-92 | | 2 | VW010.MCS07 |
| NI | Pinion Cover Front (30mm x 42mm x 7mm)..... 75-92 | | 1 | VW010.MCS08 |
| MOULDED PISTONS | | | | |
| 170A | Low & Reverse Moulded Piston Without Bleed Valve..... 75-82 | | 1 | VW010.PIS02 |
| 170A | Low & Reverse Moulded Piston With Bleed Valve..... 83-92 | | 1 | VW010.PIS04 |
| 171B | Direct Moulded Piston..... 75-92 | | 1 | VW010.PIS01 |
| 172C | Forward Moulded Piston..... 75-92 | | 1 | VW010.PIS03 |
| NI | Accumulator Piston (Plastic With Lip)..... 75-92 | | 1 | VW010.ACC01 |
| SEALING RINGS | | | | |
| Kit | Sealing Ring Kit 75-92 | | 1 | VW010.SRK01 |
| FRICITION PLATES | | | | |
| Kit | Friction Plate 010 (Alto) 75-93 | | 1 | VW010.FRK51 |
| Kit | Friction Plate 087, 089 (Alto) 75-93 | | 1 | VW010.FRK52 |
| Kit | Friction Plate 087 (Alto) 84-91 | | 1 | VW010.FRK54 |
| Kit | Friction Plate 090 (Alto) 78-91 | | 1 | VW010.FRK53 |
| 250B | Direct (Early) (120mm OD x 2.20mm x 48T) .. 75-92 | | 3-4 | VW010.FRP01 |
| 250B | Direct (Late) (127mm OD x 2.25mm x 49T) .. 84-92 | | 4-5 | VW010.FRP04 |
| 251C | Forward (121mm OD x 1.6mm x 48T) 75-92 | | 3-5 | VW010.FRP02 |
| 252D | Low & Reverse (170MM OD x 1.5mm x 29T) 75-92 | | 4-5 | VW010.FRP03 |
| STEEL PLATES | | | | |
| Kit | Steel Plate 010 (Alto)..... 75-93 | | 1 | VW010.STK51 |
| Kit | Steel Plate 087, 089 (Alto)..... 75-93 | | 1 | VW087.STK51 |
| Kit | Steel Plate 087 (Alto)..... 84-91 | | 1 | VW087.STK53 |
| Kit | Steel Plate 090 (Alto)..... 78-91 | | 1 | VW087.STK52 |
| 300B | Direct (Early) (104mm ID x 2.00mm x 17/51T) 75-92 | | 4-5 | VW010.STP01 |
| 300B | Direct (Late) (132mm OD x 2.00mm x 53T) .. 84-92 | | 4 | VW010.STP03 |
| 301C | Forward (104mm ID x 2.00mm x 17/51T) 75-92 | | 4 | VW010.STP01 |
| 302D | Low & Reverse (157mm ID x 2.00mm x 8T) 75-92 | | 4-5 | VW010.STP02 |
| PRESSURE PLATES | | | | |

VOLKSWAGEN 010, 087, 089, 090

3 SPEED FWD (Hydraulic Control)



AUTOMATIC CHOICE



THE AUTOMATIC TRANSMISSION PARTS WAREHOUSE

| ILL NO. | DESCRIPTION | YEARS | QTY | PART NO |
|--------------------------------------|--|-------|-----|-------------|
| SPRINGS & CIRCLIPS | | | | |
| 411C | Forward Clutch Diaphragm..... | 75-ON | 1 | VW010.DIA01 |
| FILTERS | | | | |
| 450E | Filter (Round)..... | 75-92 | 1 | VW010.FIL02 |
| 450E | Filter (Rectangular)..... | 75-92 | 1 | VW010.FIL01 |
| BANDS | | | | |
| 500B | Intermediate Band..... | 75-92 | 1 | VW010.BAN01 |
| BUSHINGS | | | | |
| Kit | Bush Kit..... | 75-92 | 1 | VW010.BK01 |
| 550A | Pump Body | 75-92 | 1 | VW010.BUS04 |
| 551B | Direct Drum..... | 75-92 | 1 | VW010.BUS03 |
| NI | Torque Converter Neck..... | 75-92 | 1 | VW010.BUS01 |
| NI | Pump Drive Gear | 75-92 | 1 | VW010.BUS05 |
| NI | Pinion Shaft..... | 75-92 | 1 | VW010.BUS05 |
| 553D | Sun Gear..... | 75-92 | 2 | VW010.BUS02 |
| THRUST WASHERS & BEARINGS | | | | |
| ELECTRICAL COMPONENTS | | | | |
| VALVE BODY PARTS | | | | |
| HARD PARTS | | | | |
| 811D | Front Planet, 010, 087, 089 | 75-91 | 1 | VW010.PL02 |
| 819E | Governor Gear 13 Teeth Universal With Pin..... | 75-91 | 1 | VW010.GOV01 |
| 819E | Governor Gear 16 Teeth Hollow | 75-91 | 1 | VW010.GOV02 |
| 819E | Governor Gear 16 Teeth Short Shank | 83-91 | 1 | VW010.GOV03 |
| NI | Crown Wheel & Pinion 089 KAS/KAU Diff Codes..... | 77-90 | 1 | VW010.CWP01 |
| NI | Crown Wheel & Pinion 087 REG,REH,RDQ,ROD Diff Codes (39/12)..... | 77-90 | 1 | VW010.CWP02 |
| NI | Crown Wheel & Pinion 087 REG,REH,RDQ,ROD Diff Codes (39/12 Gears Only No Shaft) | 77-90 | 1 | VW010.CWP22 |
| NI | Crown Wheel & Pinion 089 KAS/KAU Diff Codes (Gears Only No Shaft) | 77-90 | 1 | VW010.CWP21 |
| NI | Crown Wheel & Pinion 010 (11T x 38T)..... | 77-90 | 1 | VW010.CWP03 |

| ILL NO. | DESCRIPTION | YEARS | QTY | PART NO |
|----------------------------|---------------------------|-------|-----|-------------|
| SPECIAL ITEMS | | | | |
| TOOLS & MANUALS | | | | |
| NI | ATSG Rebuild Manual | All | | VW010.MAN01 |