

# VAN DOORNE CVT, (Rover, Volvo, Metro 1992-2000)

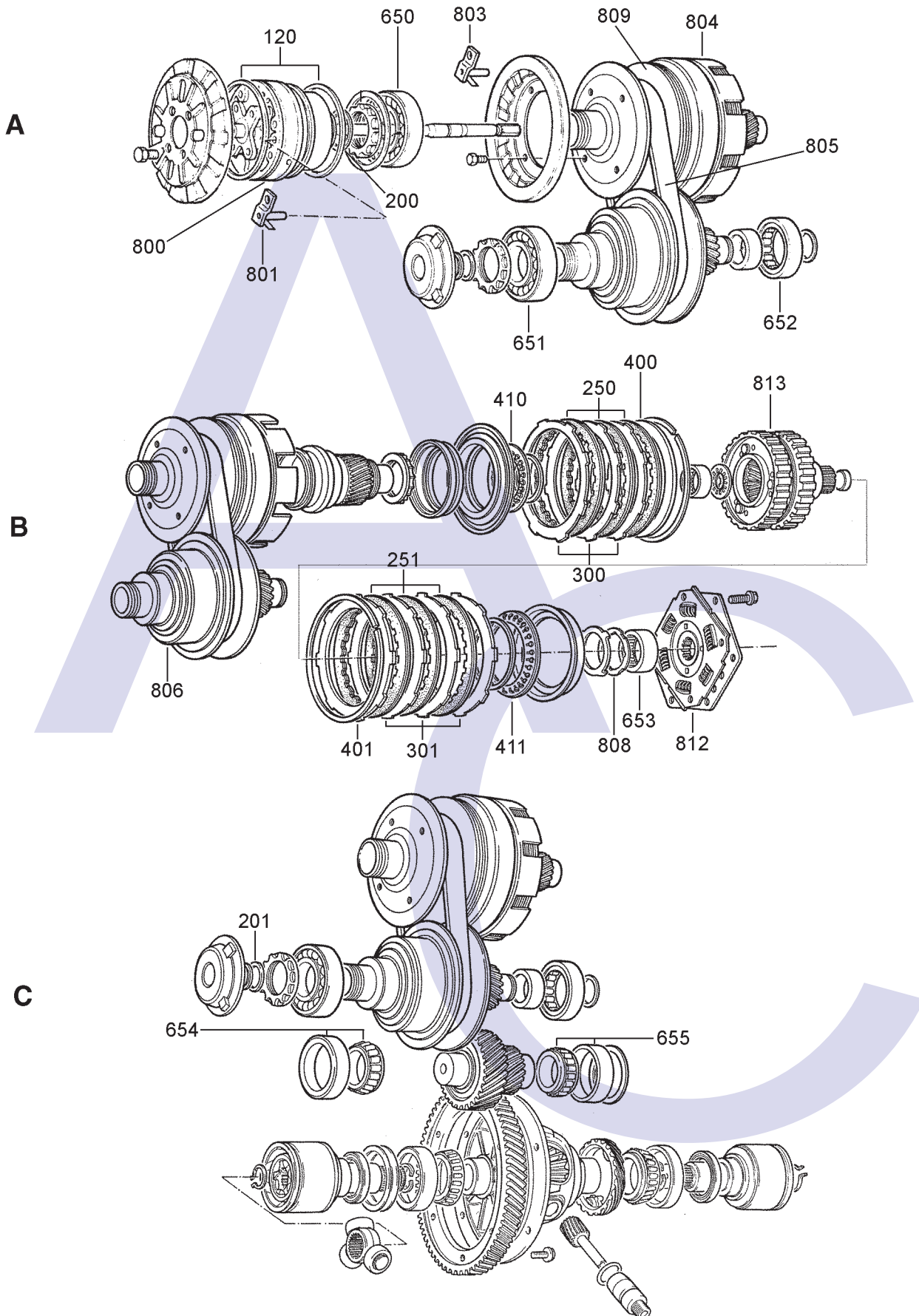
## CONSTANTLY VARIABLE FWD (Hydraulic Control)



AUTOMATIC CHOICE



THE AUTOMATIC TRANSMISSION PARTS WAREHOUSE



# VAN DOORNE CVT, (Rover, Volvo, Metro 1992-2000) CONSTANTLY VARIABLE FWD (Hydraulic Control)

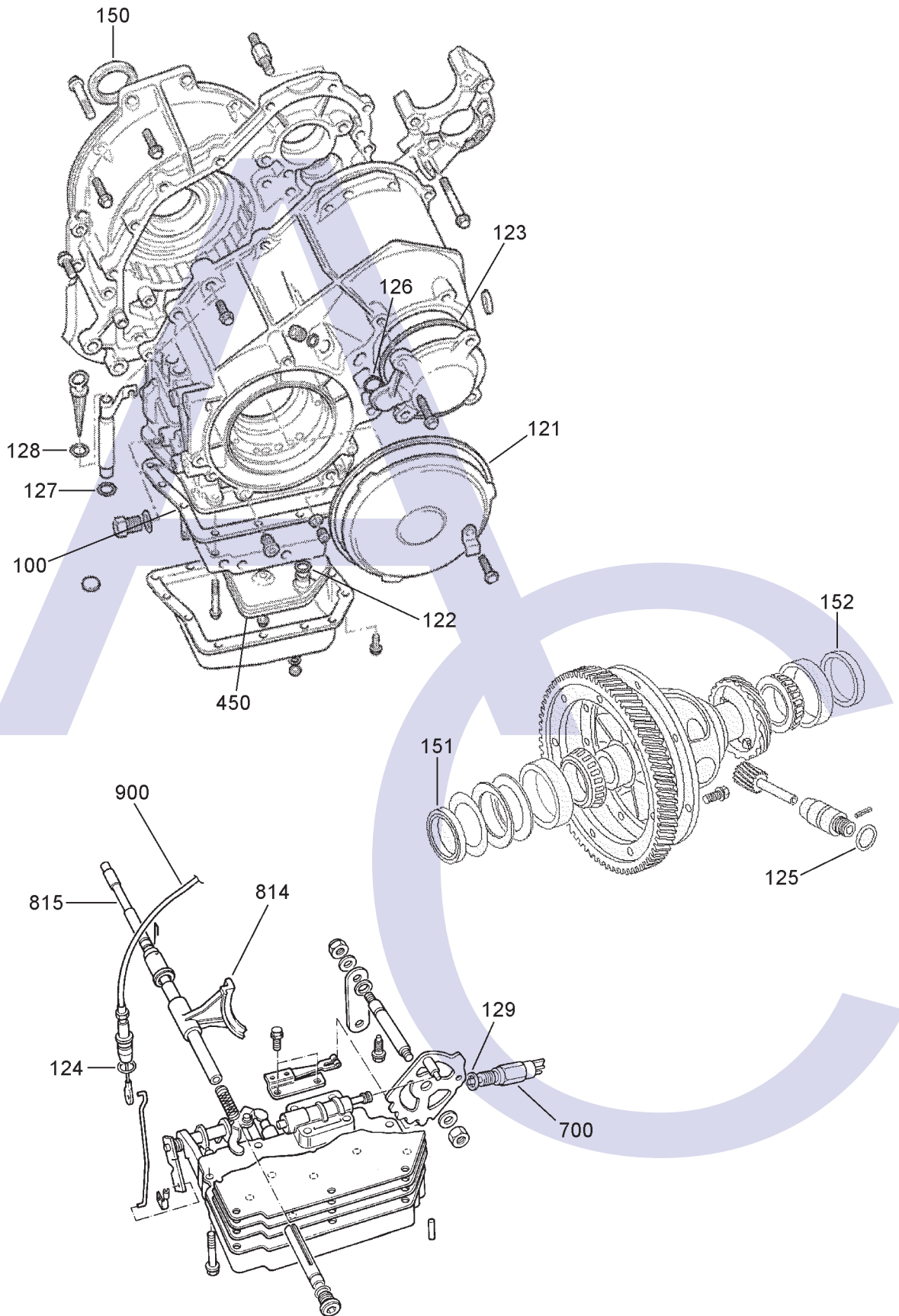


AUTOMATIC CHOICE



THE AUTOMATIC TRANSMISSION PARTS WAREHOUSE

D



# VAN DOORNE CVT, (Rover, Volvo, Metro 1992-2000)

## CONSTANTLY VARIABLE FWD (Hydraulic Control)



AUTOMATIC CHOICE



THE AUTOMATIC TRANSMISSION PARTS WAREHOUSE

ILL NO.	DESCRIPTION	YEARS	QTY	PART NO
<b>KITS</b>				
Kit	Overhaul Kit (Rover/Volvo) .....	92-00	1	<b>CVT.OHK02</b>
Kit	Gasket & Rubber .....	90-ON	1	<b>CVT.GSK02</b>
<b>GASKETS</b>				
100D	Oil Pan Gasket.....	90-ON	1	<b>CVT.GAS01</b>
<b>RUBBER COMPONENTS</b>				
Kit	O' Ring Kit.....	90-ON	1	<b>CTX.ORK01</b>
120A	Pump O'Ring (Front & Rear).....	90-ON	2	<b>CTX.OR04</b>
121D	Primary Cover O'Ring.....	90-ON	1	<b>CTX.OR05</b>
122D	Filter O'Ring.....	90-ON	1	<b>CTX.OR09</b>
123D	Secondary Cover 'O' Ring (Large) .....	90-ON	1	<b>CVT.OR01</b>
124D	Throttle Cable 'O' Ring.....	90-ON	1	<b>CTX.OR01</b>
125D	Speedo Housing 'O' Ring.....	90-ON	1	<b>CTX.OR03</b>
126D	Secondary Cover 'O' Ring (Small).....	90-ON	1	<b>CTX.OR07</b>
127D	Dipstick Tube to Case 'O' Ring ..	90-ON	1	<b>CTX.OR08</b>
128D	Dipstick to Tube 'O' Ring.....	90-ON	1	<b>CTX.OR10</b>
129D	Inhibitor Switch 'O' Ring.....	90-ON	1	<b>CTX.OR12</b>
NI	Primary Drum 'O' Ring .....	90-ON	1	<b>CTX.OR02</b>
NI	Fwd Clutch Inner Lip Seal.....	90-ON	1	<b>CTX.LIP01</b>
NI	Fwd Clutch Outer Lip Seal.....	90-ON	1	<b>CVT.LIP02</b>
NI	Rev Clutch Inner Lip Seal .....	90-ON	1	<b>CVT.LIP03</b>
NI	Rev Clutch Outer Lip Seal .....	90-ON	1	<b>CVT.LIP04</b>
<b>METAL CLAD OIL SEALS</b>				
150D	Input Shaft Seal .....	90-ON	1	<b>CTX.MCS11</b>
151D	Drive Shaft Seal (Left Hand).....	90-ON	1	<b>CVT.MCS12</b>
152D	Drive Shaft Seal (Right Hand)...	90-ON	1	<b>CVT.MCS12</b>
NI	Selector Seal.....	90-ON	1	<b>CTX.MCS13</b>
<b>SEALING RINGS</b>				
Kit	Sealing Ring Kit) .....	90-ON	1	<b>CTX.SRK01</b>
200A	Primary Shaft (Pump Nose) .....	90-ON	1	<b>CTX.SSR01</b>
201C	Secondary Shaft .....	90-ON	1	<b>CTX.SSR02</b>
<b>FRICTION PLATES</b>				
250B	Forward Friction .....	90-ON	3	<b>CTX.FRP02</b>
250B	Forward Friction (Alto) .....	90-ON	3	<b>CVT.FRP52</b>
251B	Reverse Friction.....	90-ON	3	<b>CTX.FRP02</b>
251B	Reverse Friction (Alto) .....	90-ON	3	<b>CVT.FRP52</b>
<b>STEEL PLATES</b>				
300B	Forward Steel Plate .....	90-ON	3	<b>CTX.STP02</b>
301B	Reverse Steel Plate .....	90-ON	3	<b>CTX.STP02</b>

ILL NO.	DESCRIPTION	YEARS	QTY	PART NO
<b>PRESSURE PLATES</b>				
400B	Forward Pressure Plate .....	90-ON	1	<b>CVT.PP01</b>
401B	Reverse Pressure Plate.....	90-ON	1	<b>CVT.PP01</b>
<b>SPRINGS</b>				
410B	Fwd Clutch Dia Spring.....	89-ON	1	<b>CTX.DIA01</b>
411B	Rev Clutch Dia Spring.....	89-ON	1	<b>CTX.DIA02</b>
<b>FILTERS</b>				
450D	Pan Filter (Rover/Metro) .....	90-ON	1	<b>CVT.FIL11</b>
450D	Pan Filter (Volvo) .....	90-ON	1	<b>CVT.FIL02</b>
<b>BEARINGS</b>				
Kit	Bearing Replacment Kit (Rover Metro).....	90-ON	1	<b>CVT.BK01</b>
650A	Bearing Primary (Volvo/Metro)..	90-ON	1	<b>CTX.BE01</b>
651A	Bearing Secondary .....	90-ON	1	<b>CTX.BE02</b>
652A	Bearing Pinion.....	90-ON	1	<b>CVT.BE01</b>
653B	Bearing Input Shaft (Needle) ....	90-ON	1	<b>CVT.BE02</b>
654C	Idler Gear Bearing L. Hand.....	90-ON	1	<b>CTX.BE06</b>
655C	Idler Gear Bearing R. Hand .....	90-ON	1	<b>CTX.BE06</b>
<b>ELECTRICAL COMPONENTS</b>				
700D	Inhibitor Switch (3 Pin Connector).....	90-ON	1	<b>CTX.INH01</b>
700D	Inhibitor Switch (4 Pin Connector).....	90-ON	1	<b>CTX.INH02</b>
<b>VALVE BODY PARTS</b>				
<b>HARD PARTS</b>				
800A	Pump Assembly (Volvo, Rover Metro,100/216)...	90-ON	1	<b>CVT.PUM01</b>
801A	Pitot Tube Engine.....	90-ON	1	<b>CTX.TU03</b>
803A	Pitot Tube Primary .....	90-ON	1	<b>CVT.TU01</b>
804A	Primary Drum (Rebuilt) (40 Teeth on Sun Gear) .....	92-ON	1	<b>CVT.DRU02</b>
805A	Drive Belt) .....	90-ON	1	<b>CTX.CH01</b>
806B	Secondary Drum (Rebuilt) .....	90-ON	1	<b>CVT.DRU03</b>
808B	End Float Shim 1.3mm .....	89-ON	1	<b>CTX.SHIM01</b>
808B	End Float Shim 1.4mm .....	90-ON	1	<b>CTX.SHIM06</b>
808B	End Float Shim 1.5mm .....	90-ON	1	<b>CTX.SHIM02</b>
808B	End Float Shim 1.9mm .....	90-ON	1	<b>CTX.SHIM03</b>
808B	End Float Shim 2.0mm .....	90-ON	1	<b>CTX.SHIM04</b>
809A	Primary Cylinder Repair (Requires Old Core).....	90-ON	1	<b>CVT.DRU07</b>
812B	Damper Plate (Rover).....	90-ON	1	<b>CTX.DAM02</b>
812B	Damper Plate (Volvo).....	90-ON	1	<b>CVT.DAM02</b>
813B	Planetary Assembly (Except New Mini).....	90-ON	1	<b>CVT.PL01</b>
813B	Planetary Assembly (New Mini).....	90-ON	1	<b>CVT.PL02</b>

# VAN DOORNE CVT, (Rover, Volvo, Metro 1992-2000)

## CONSTANTLY VARIABLE FWD (Hydraulic Control)



AUTOMATIC CHOICE



THE AUTOMATIC TRANSMISSION PARTS WAREHOUSE

ILL NO.	DESCRIPTION	YEARS	QTY	PART NO
<b>HARD PARTS Cont...</b>				
814D	Ratio Sensor Fork.....	90-ON	1	CVT.SEN01
815D	Ratio Sensor Shaft.....	90-ON	1	CVT.SH01
NI	Belt Lubrication Tube.....	90-ON	1	CTX.TU02
NI	Ball Bearing (5.90mm) (For Primary Sliding Shaft).....	90-ON	6	CTX.BALL01
NI	Ball Bearing (5.90mm) (For Secondary Sliding Shaft)...	90-ON	9	CTX.BALL01
<b>CABLES</b>				
900D	Throttle Cable (Rover Metro/100).....	90-ON	1	CVT.CAB02
900D	Throttle Cable (Volvo 400).....	90-ON	1	CVT.CAB03
900D	Throttle Cable (Rover 216/100).....	96-97	1	CVT.CAB04
<b>SPECIAL ITEMS</b>				
NI	Oil Pump Remover Tool.....	89-ON	1	CTX.TOOL01
NI	Primary Drum Locking Tool.....	89-ON	1	CTX.TOOL02
NI	Secondary Drum Remover .....	89-ON	1	CTX.TOOL03
NI	Primary Drum Remover .....	89-ON	1	CTX.TOOL04
NI	Fwd Clutch Piston Guide .....	89-ON	1	CTX.TOOL05
NI	Rev Clutch Piston Guide.....	89-ON	1	CTX.TOOL06
NI	Valve Body Alignment Pins .....	89-ON	1	CTX.TOOL07
NI	Pressure Gauge 60 Bar .....	89-ON	1	CTX.TOOL08
NI	Pressure Gauge 0-10 Bar.....	89-ON	1	CTX.TOOL10
NI	Secondary Unit Puller .....	89-ON	1	CTX.TOOL09
NI	Piston Holding Clamp Control...	89-ON	1	CTX.TOOL12

ILL NO.	DESCRIPTION	YEARS	QTY	PART NO
---------	-------------	-------	-----	---------