

SUBARU 4EAT 1987 - 1998

4 SPEED 2WD & 4WD (Electronic Control)

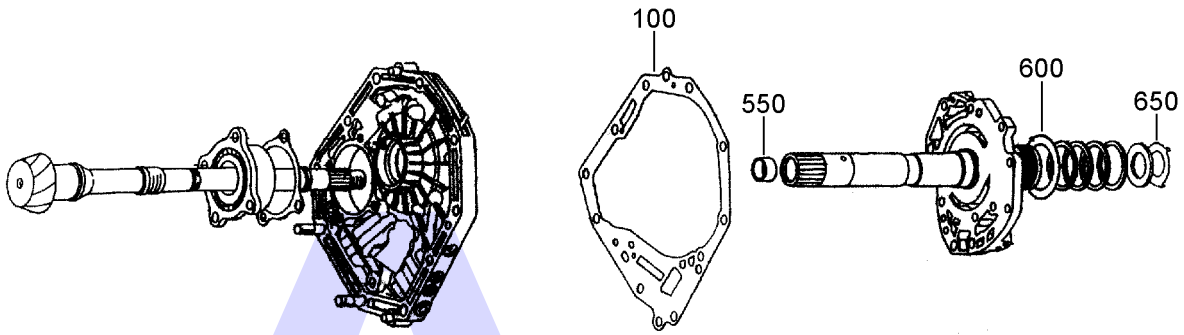


AUTOMATIC CHOICE



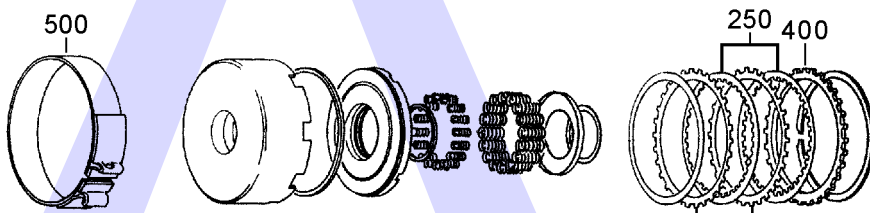
THE AUTOMATIC TRANSMISSION PARTS WAREHOUSE

A



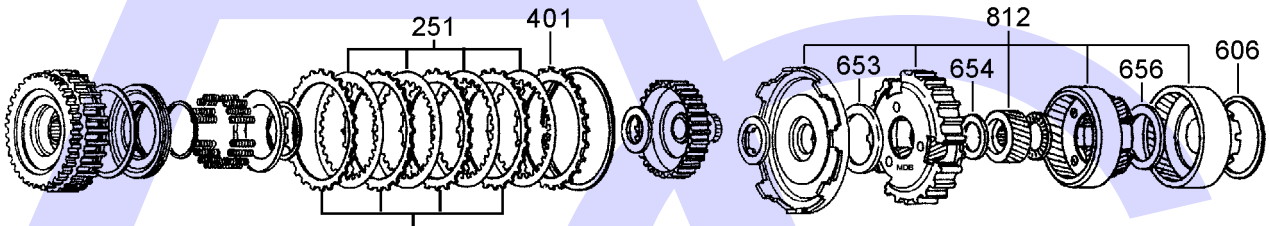
PUMP

B



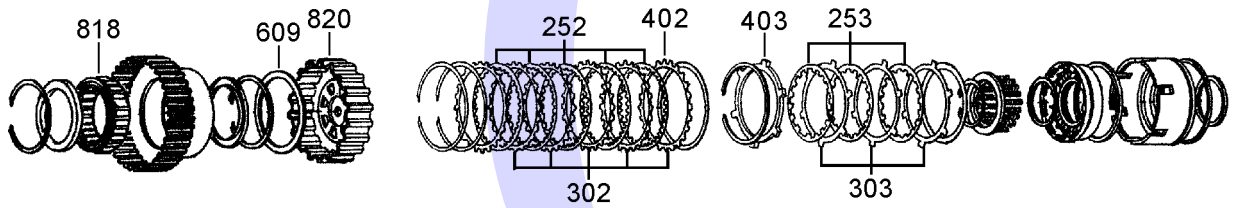
REVERSE CLUTCH

C



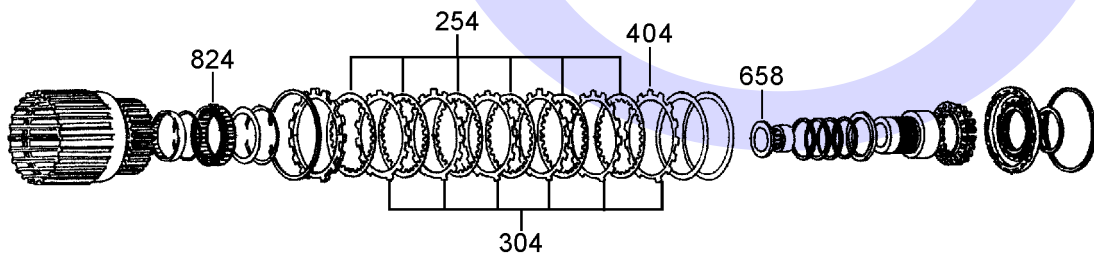
HIGH CLUTCH AND PLANET SET

D



FORWARD AND COAST CLUTCHES

E



LOW REVERSE CLUTCH

SUBARU 4EAT 1987 - 1998

4 SPEED 2WD & 4WD (Electronic Control)

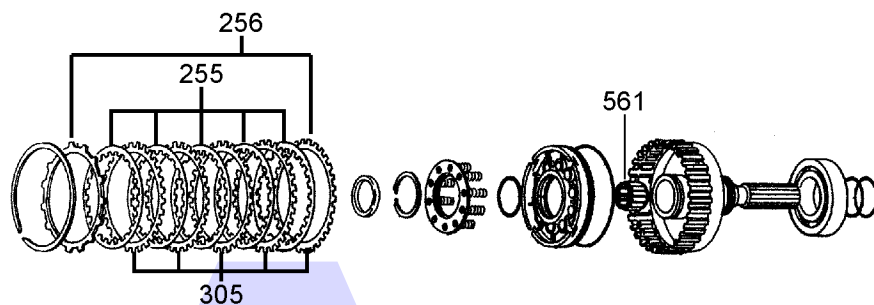


AUTOMATIC CHOICE



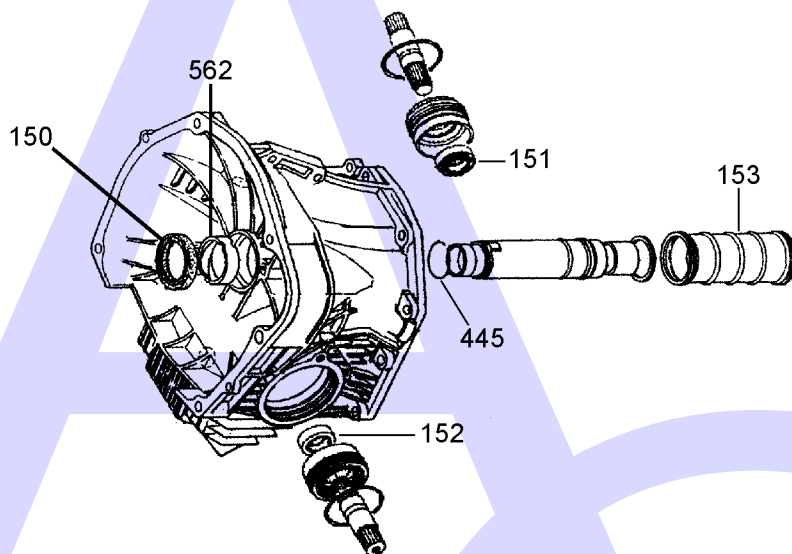
THE AUTOMATIC TRANSMISSION PARTS WAREHOUSE

F



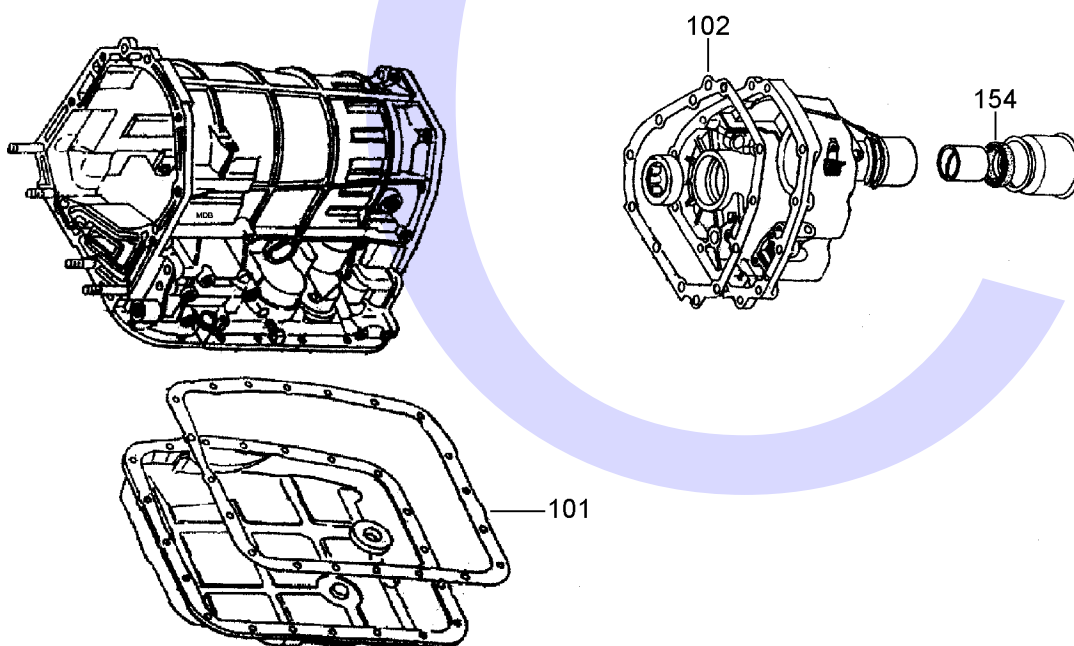
FOUR WHEEL DRIVE CLUTCH

G



DIFFERENTIAL HOUSING

H



CASE AND PAN

SUBARU 4EAT 1987 -1998

4 SPEED 2WD & 4WD (Electronic Control)



AUTOMATIC CHOICE



THE AUTOMATIC TRANSMISSION PARTS WAREHOUSE

ILL NO.	DESCRIPTION	YEARS	QTY	PART NO
KITS				
Kit	Overhaul Kit (Transtec).....	87-98	1	SUB4.OHK01
Kit	Overhaul Kit (Precision).....	87-98	1	SUB4.OHK51
GASKETS				
100A	Pump Housing to Case (Metal).....	87-98	1	SUB4.GAS02
101H	Pan Gasket.....	87-98	1	SUB4.GAS01
102H	Extension Housing.....	87-98	1	SUB4.GAS03
NI	Valve Body Upper (Not SVX)....	87-98	1	SUB4.GAS04
NI	Valve Body Lower (Not SVX)....	87-98	1	SUB4.GAS05
NI	Transfer Clutch Valve Housing .	87-98	2	SUB4.GAS06
RUBBER COMPONENTS				
NI	Filter to V. Body 'O' Ring.....	87-98	1	RE4.OR04
METAL CLAD SEALS				
150G	Converter Seal.....	87-98	1	SUB4.MCS01
151G	Axle Seal Right.....	87-98	1	SUB4.MCS03
152G	Axle Seal Left.....	87-98	1	SUB4.MCS02
153G	Differential to Transmission Sealing Pipe.....	87-98	1	SUB4.MCS05
154H	Extension Housing.....	87-98	1	SUB4.MCS04
NI	Speedo Shaft.....	87-98	1	SUB4.MCS07
SEALING RINGS				
Kit	Sealing Ring Kit.....	87-98	1	SUB4.SRK01
FRICITION PLATES				
Kit	Friction Plate (Alto) (DL, GL, XT, Legacy, Loyale) (Without Transfer Plates).....	87-94	1	SUB4.FRK53
Kit	Friction Plate (Alto) (DL, GL, XT, Legacy Non Turbo, Loyale) (With Transfer Plates).....	87-94	1	SUB4.FRK54
Kit	Friction Plate (Alto) (Legacy Turbo) (Without Transfer Plates).....	89-91	1	SUB4.FRK55
Kit	Friction Plate (Alto) (Legacy Turbo) (Without Transfer Plates).....	92-94	1	SUB4.FRK56
Kit	Friction Plate (Alto) (Legacy 2.2L, 2.5i) (With Transfer Plates).....	95-98	1	SUB4.FRK58
Kit	Friction Plate (Alto) (SVX) (Without Transfer Plates).....	92-93	1	SUB4.FRK55
Kit	Friction Plate (Alto) (SVX With Transfer Plates).....	92-93	1	SUB4.FRK52
Kit	Friction Plate (Alto) (Impreza) (With Transfer Plates).....	92-96	1	SUB4.FRK57
Kit	Friction Plate (Alto) (Impreza) (With Transfer Plates).....	97-98	1	SUB4.FRK58
Kit	Friction Plate (Alto) (Forester) (With Transfer Plates).....	98 Only	1	SUB4.FRK58

ILL NO.	DESCRIPTION	YEARS	QTY	PART NO
FRICITION PLATES Cont...				
250B	Reverse Clutch (Aftermarket) (150mm O.D. x 2.00mm x 34T).....	87-98	2	SUB4.FRP04
250B	Reverse Clutch (Aftermarket) (150mm O.D. x 2.00mm x 30T).....	93-98	2	SUB4.FRP09
251C	High Clutch (Aftermarket) (132mm O.D. x 1.60mm x 30T).....	87-98	4-5	RL4.FRP08
251C	High Clutch (OEM) (132mm O.D. x 1.60mm x 30T).....	87-98	4-5	RL4.FRP18
252D	Forward Clutch (Aftermarket) (148mm O.D. x 1.50mm x 36T).....	95-98	5-7	SUB4.FRP01
252D	Forward Clutch (Aftermarket) (148mm O.D. x 2.00mm x 36T).....	87-94	4-6	SUB4.FRP11
253D	Coast Clutch (Aftermarket) (134mm O.D. x 2.00mm x 18T).....	87-98	3-5	SUB4.FRP02
254E	Low & Reverse Brake (Aftermarket) (148mm O.D. x 1.80mm x 30T).....	95-98	4-6	SUB4.FRP08
254E	Low & Reverse Brake (Aftermarket) (148mm O.D. x 1.60mm x 30T).....	91-98	AR	SUB4.FRP07
254E	Low & Reverse Brake (Aftermarket) (148mm O.D. x 2.00mm x 30T).....	87-92	AR	SUB4.FRP03
255F	4WD (Transfer) Clutch (Aftermarket) (118mm O.D. x 1.80mm x 24T).....	91-98	5	SUB4.FRP10
255F	4WD (Transfer) Clutch (Aftermarket) (118mm O.D. x 2.00mm x 24T).....	87-92	AR	SUB4.FRP06
255F	4WD (Transfer) Clutch (Aftermarket) (118mm O.D. x 1.80mm x 50T).....	87-92	AR	SUB4.FRP12
256F	Modified Transfer Clutch Kit To Cure ShudderOEM (Early)....		1	SUB4.FKIT01
256F	Modified Transfer Clutch Kit To Cure ShudderOEM (Late)....		1	SUB4.FKIT02
STEEL PLATES				
Kit	Steel Plate (Alto) (SVX With Transfer Plates).....	92-93	1	SUB4.STK55
Kit	Steel Plate (Alto) (DL, GL, XT, Legacy, Loyale) (Without Transfer Plates).....	87-94	1	SUB4.STK52
Kit	Steel Plate (Alto) (DL, GL, XT, Legacy Non Turbo, Loyale) (With Transfer Plates).....	87-94	1	SUB4.STK53
Kit	Steel Plate (Alto) (Legacy Turbo) (Without Transfer Plates).....	89-91	1	SUB4.STK54
Kit	Steel Plate (Alto) (Legacy Turbo) (Without Transfer Plates).....	92-94	1	SUB4.STK56
Kit	Steel Plate (Alto) (Legacy 2.2L, 2.5i) (With Transfer Plates).....	95-98	1	SUB4.STK58
Kit	Steel Plate (Alto) (Legacy 2.2L, 2.5i) (Without Transfer Plates).....	95-98	1	SUB4.STK59

SUBARU 4EAT 1987 - 1998

4 SPEED 2WD & 4WD (Electronic Control)



AUTOMATIC CHOICE



THE AUTOMATIC TRANSMISSION PARTS WAREHOUSE

ILL NO.	DESCRIPTION	YEARS	QTY	PART NO
STEEL PLATES Cont...				
Kit	Steel Plate (Alto) (SVX) (Without Transfer Plates).....	92-93	1	SUB4.STK54
Kit	Steel Plate (Alto) (Impreza) (With Transfer Plates).....	92-96	1	SUB4.STK57
Kit	Steel Plate (Alto) (Impreza) (With Transfer Plates).....	97-98	1	SUB4.STK58
Kit	Steel Plate (Alto) (Impreza) (Without Transfer Plates).....	97-98	1	SUB4.STK59
Kit	Steel Plate (Alto) (Forester) (With Transfer Plates).....	98 Only	1	SUB4.STK58
Kit	Steel Plate (Alto) (Forester) (Without Transfer Plates).....	98 Only	1	SUB4.STK59
300B	Reverse Clutch (135mm I.D. x 2.00mm x 30T)	87-98	2	RL4.STP05
300B	Reverse Clutch (130mm I.D. x 2.00mm x 30T)	93-98	2	SUB4.STP09
301C	High Clutch (112mm I.D. x 3.00mm x 27T)	87-98	4	RL4.STP10
301C	High Clutch (112mm I.D. x 2.00mm x 27T)	95-98	AR	RL4.STP11
301C	High Clutch (112mm I.D. x 2.75mm x 27T)	91-94	AR	SUB4.STP11
301C	High Clutch (112mm I.D. x 2.00mm x 24T)	97-98	1-5	SUB4.STP20
302D	Forward Clutch (135mm I.D. x 2.00mm x 24T)	87-98	5-7	SUB4.STP01
302D	Forward Clutch (135mm I.D. x 1.80mm x 24T)	93-98	AR	SUB4.STP13
303D	Coast Clutch (120mm I.D. x 2.00mm x 6T)	87-98	3-5	SUB4.STP02
304E	Low & Reverse Brake (129mm I.D. x 1.60mm x 14T)	95-98	AR	SUB4.STP08
304E	Low & Reverse Brake (129mm I.D. x 1.80mm x 14T)	91-98	AR	SUB4.STP07
304E	Low & Reverse Brake (129mm I.D. x 2.00mm x 14T)	87-98	AR	SUB4.STP03
305F	4WD (Transfer) Clutch (104mm I.D. x 1.60mm x 30T)	91-98	5	SUB4.STP10
305F	4WD (Transfer) Clutch (104mm I.D. x 1.80mm x 30T)	87-92	5	SUB4.STP06

ILL NO.	DESCRIPTION	YEARS	QTY	PART NO
PRESSURE PLATES				
400B	Reverse Input (4.80mm Thick).....	87-ON	AR	RE4.PP18
	(5.00mm Thick).....	87-ON	AR	RE4.PP19
	(5.20mm Thick).....	87-ON	AR	RE4.PP20
	(5.40mm Thick).....	87-ON	AR	RE4.PP21
401C	High Clutch Pressure Plate (3.40mm Thick).....	87-ON	AR	RE4.PP14
	(3.60mm Thick).....	87-ON	AR	RE4.PP15
	(3.80mm Thick).....	87-ON	AR	RE4.PP16
	(4.00mm Thick).....	87-ON	AR	RE4.PP10
	(4.20mm Thick).....	87-ON	AR	RE4.PP11
	(4.30mm Thick).....	87-ON	AR	RE4.PP04
	(4.40mm Thick).....	87-ON	AR	RE4.PP05
	(4.60mm Thick).....	87-ON	AR	RE4.PP12
	(4.80mm Thick).....	87-ON	AR	RE4.PP13
402D	Forward Clutch (8.00mm Thick).....	87-ON	AR	RE4.PP25
	(8.20mm Thick).....	87-ON	AR	RE4.PP26
	(8.40mm Thick).....	87-ON	AR	RE4.PP27
	(8.60mm Thick).....	87-ON	AR	RE4.PP28
	(8.80mm Thick).....	87-ON	AR	RE4.PP29
403D	Coast Clutch (4.40mm Thick).....	87-ON	AR	RE4.PP22
	(4.60mm Thick).....	87-ON	AR	RE4.PP23
	(4.80mm Thick).....	87-ON	AR	RE4.PP24
404E	Low/Reverse Clutch (7.00mm Thick).....	87-ON	AR	RE4.PP17
	(7.20mm Thick).....	87-ON	AR	RE4.PP06
	(7.40mm Thick).....	87-ON	AR	RE4.PP07
	(7.60mm Thick).....	87-ON	AR	RE4.PP08
	(7.80mm Thick).....	87-ON	AR	RE4.PP09
SPRINGS & CIRCLIPS				
445G	Circlip, Converter to Oil Pump Shaft.....	87-98	1	SUB4.CIR01
FILTERS				
NI	Filter Except Legacy	87-98	1	SUB4.FIL01
NI	Filter Legacy & SVX (13mm Pick Up Spout).....	87-98	1	SUB4.FIL02
NI	Filter Legacy & SVX (13mm Pick Up Spout) (with radius to clear pipework) ..	93-98	1	SUB4.FIL03
BANDS				
500B	Band (Aftermarket)	87-98	1	SUB4.BAN01
500B	Band (OEM).....	87-98	1	SUB4.BAN11
BUSHINGS				
Kit	Bush Kit	87-98	1	SUB4.BK01
Kit	Bush Kit (Alternative)	87-98	1	SUB4.BK02
550A	Stator Shaft Front	87-98	1	SUB4.BUS02
562G	Bell Housing to Converter Hub ..	87-98	1	SUB4.BUS01
561F	Input to Output Shaft.....	87-98	1	SUB4.BUS03

SUBARU 4EAT 1987 - 1998

4 SPEED 2WD & 4WD (Electronic Control)



AUTOMATIC CHOICE



THE AUTOMATIC TRANSMISSION PARTS WAREHOUSE

ILL NO.	DESCRIPTION	YEARS	QTY	PART NO
THRUST WASHERS & BEARINGS				
Kit	Bearing and Race Kit.....	87-98	1	RE4.TWK01
600A	Thrust Washer Pump - Rev Input (Sel 0.89mm Thick Plastic)	87-98	AR	RL4.THW01
600A	Thrust Washer Pump - Rev Input (Sel 1.00mm Thick Plastic)	87-98	AR	RL4.THW02
600A	Thrust Washer Pump - Rev Input (Sel 1.30mm Thick Plastic)	87-98	AR	RL4.THW03
600A	Thrust Washer Pump - Rev Input (Sel 1.70mm Thick Plastic)	87-98	AR	RL4.THW04
600A	Thrust Washer Pump - Rev Input (Sel 1.93mm Thick Plastic)	87-98	AR	RL4.THW05
606C	T.Wash Rear Ring Gear to Sprag (Plastic).....	87-98	1	RL4.THW06
609D	T.Wash Overrun Clutch Hub (Plastic).....	87-98	1	RL4.THW06
650A	Race Pump to High Drum (Sel 1.60mm Thick 3 Tang)	87-98	AR	RL4.THW10
650A	Race Pump to High Drum (Sel 1.78mm Thick 3 Tang)	87-98	AR	RL4.THW11
650A	Race Pump to High Drum (Sel 2.00mm Thick 3 Tang)	87-98	AR	RL4.THW112
653C	Race Rear of Sun Shell	87-98	1	RL4.THW07
654C	Bearing Front Planet to S.Gear	87-98	1	RE4.BE04
656C	Race Rear of Rear Planet.....	87-98	1	RL4.THW07
658E	Inner Hub to Inner Race Bearing (Open Face One Side 59mm OD) .	88-98	1	RE4.THW02
ELECTRICAL COMPONENTS				
NI	EPC Solenoid	87-98	1	RL4.SOL02
NI	Lock Up Solenoid (With Push Down Disconnect) ..	87-98	1	SUB4.SOL02
NI	Solenoid Set (Legacy, SVX, Impretza)	93-98	1	SUB4.SOL03
NI	Transfer Clutch Solenoid (Green Wiring) (Includes Valve Assy).....	87-98	1	SUB4.SOL05
NI	Transfer Clutch Solenoid (Alternative to SUB4.SOL05) (Includes Valve Assy).....	87-98	1	SUB4.SOL08
VALVE BODY PARTS				
HARD PARTS				
NI	Pump Rotor Kit	87-98	1	SUB4.PUM02
NI	Pump Rotor.....	87-98	1	SUB4.PUM03
812C	Planetary Package	87-98	1	RE4.PL02
818D	Front Sprag (28 Element)	87-98	1	RE4.OWC03
820D	Hub - Coast Clutch	87-98	1	SUB4.HUB01
824E	Sprag, Low Sprag (30 Elements 10.31mm Wide) ..	87-98	1	RE4.OWC02

ILL NO.	DESCRIPTION	YEARS	QTY	PART NO
SPECIAL ITEMS				
TOOLS & MANUALS				
NI	ATSG Repair Manual.....	All	AR	SUB4.MAN01