

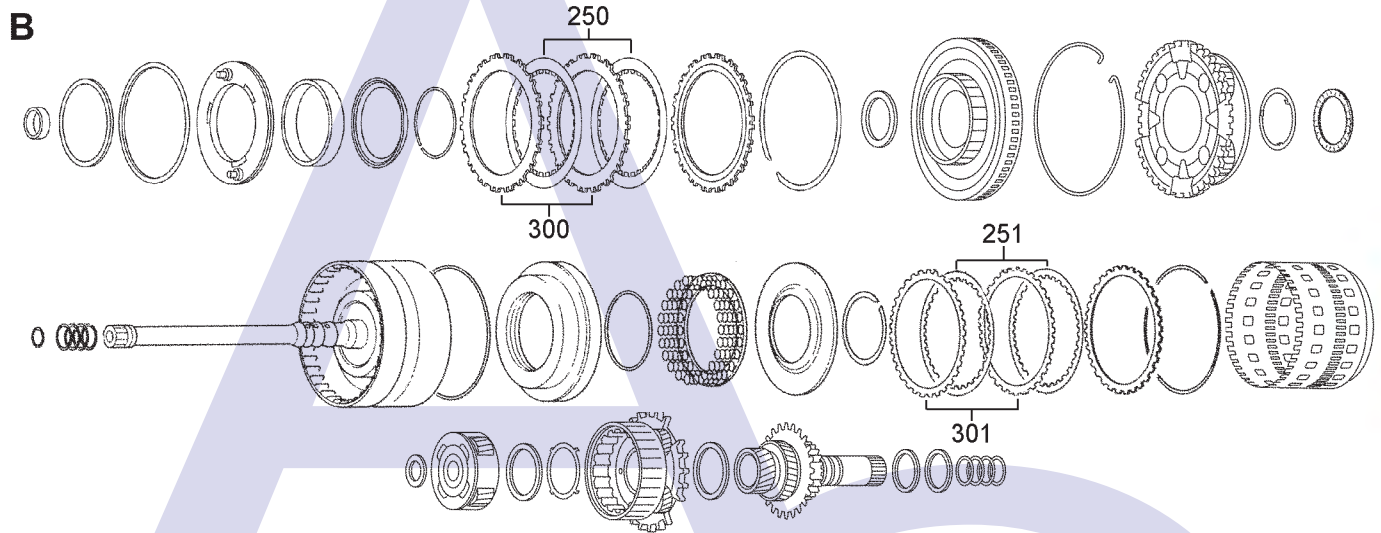
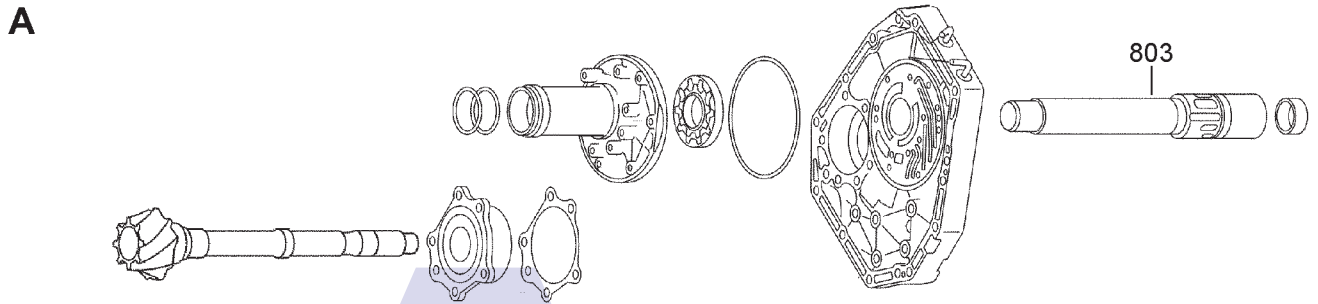
# SUBARU 5EAT 2005- 5 Speed 4WD



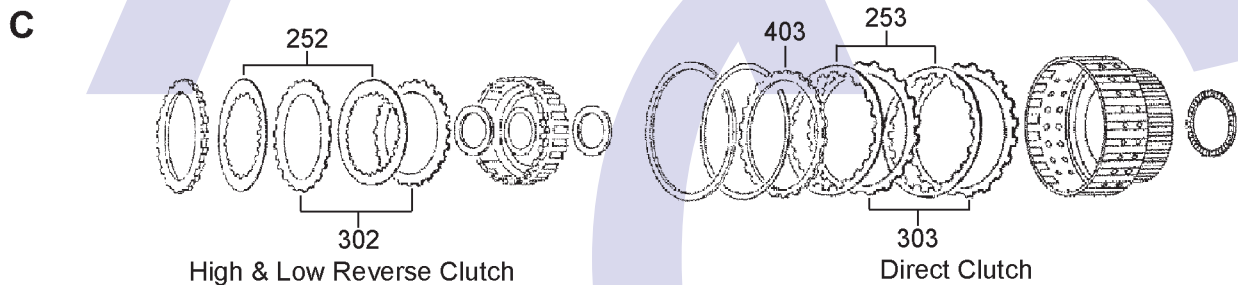
AUTOMATIC CHOICE



THE AUTOMATIC TRANSMISSION PARTS WAREHOUSE

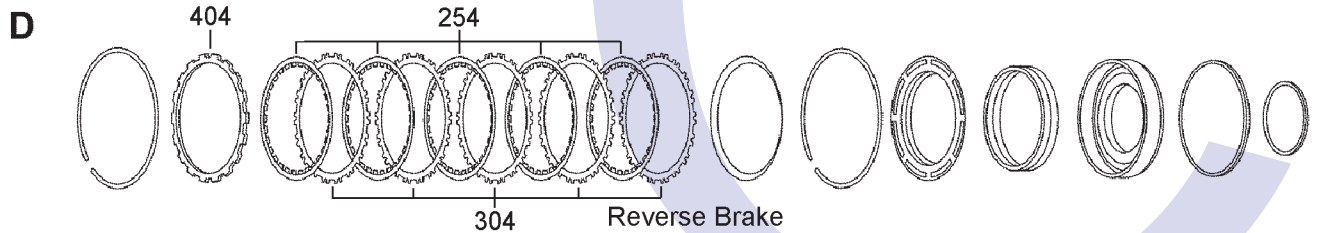


Front Brake, Input Clutch, Mid & Rear Carriers & Sun Gears

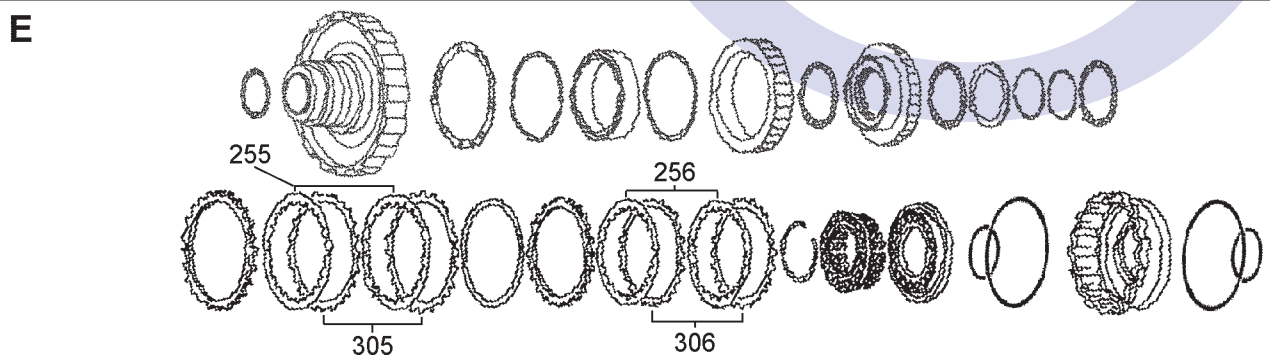


High & Low Reverse Clutch

Direct Clutch



Reverse Brake



Forward Brake & Low Coast Brake

# SUBARU 5EAT 2005- 5 Speed 4WD

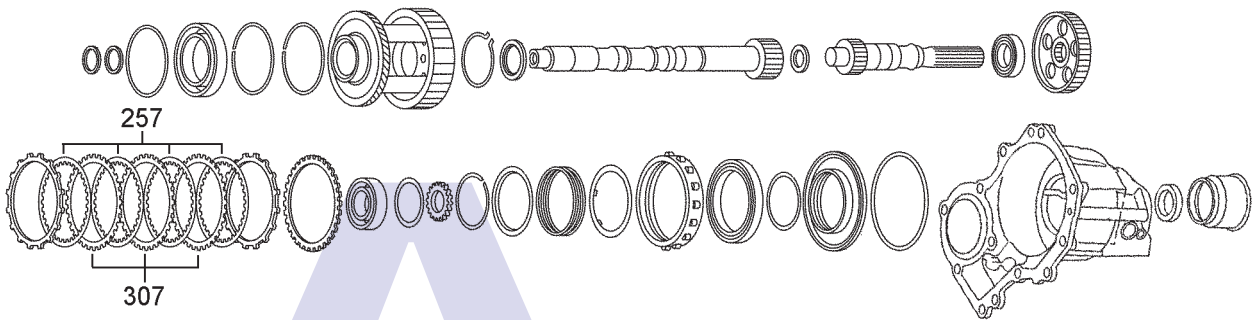


AUTOMATIC CHOICE



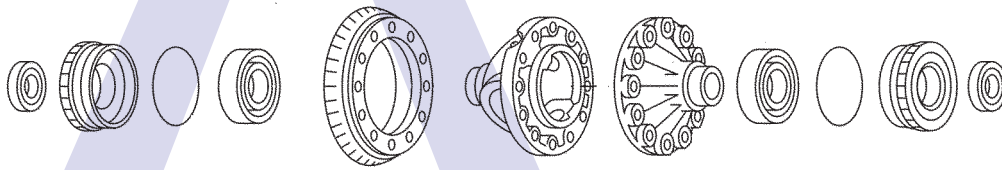
THE AUTOMATIC TRANSMISSION PARTS WAREHOUSE

F



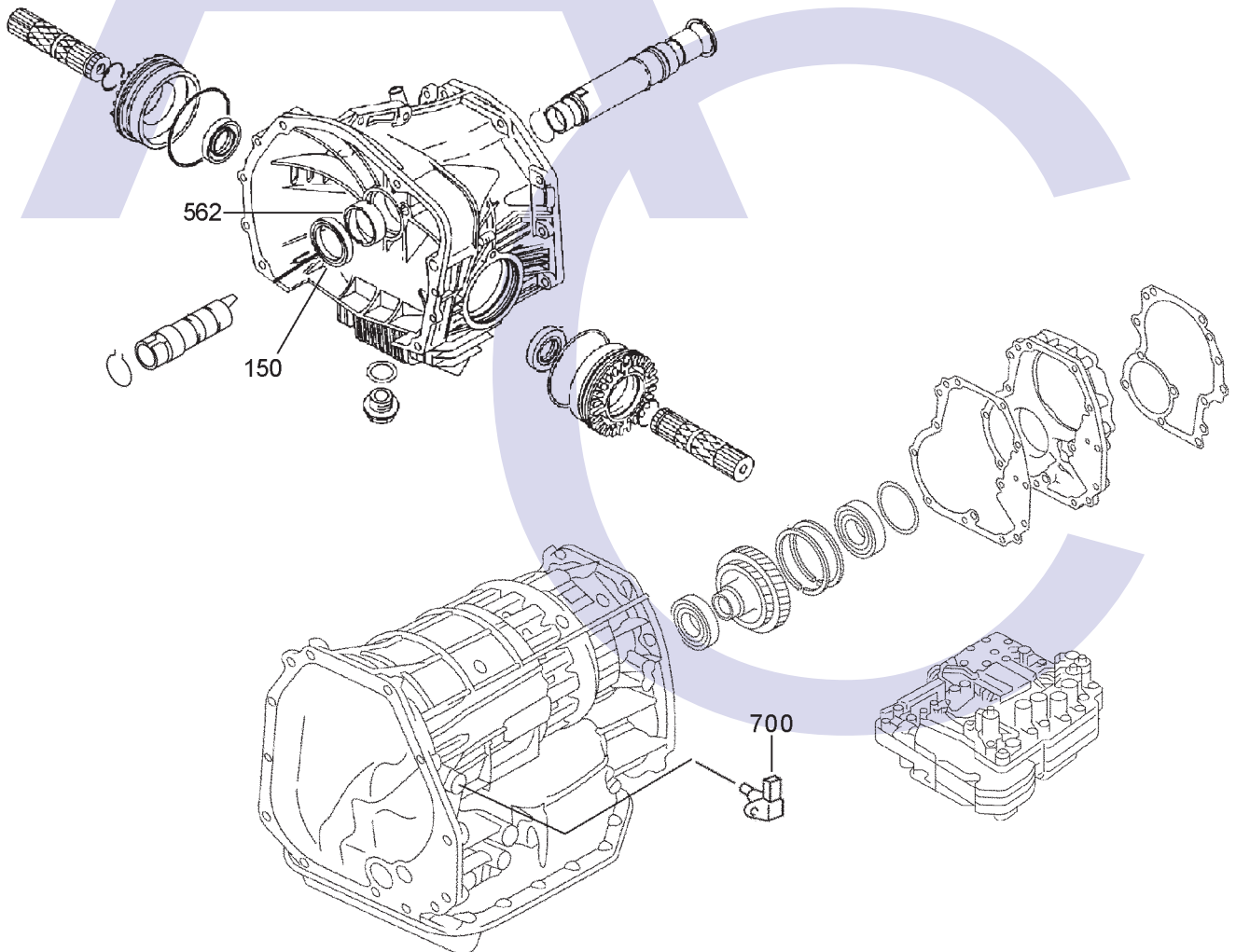
Transfer Brake

G



Differential & Crown Wheel

H



Case, Valve body Components & Reduction Drive Gear

# SUBARU 5EAT 2005- 5 Speed 4WD



AUTOMATIC CHOICE



THE AUTOMATIC TRANSMISSION PARTS WAREHOUSE

ILL NO.	DESCRIPTION	YEARS	QTY	PART NO
<b>KITS</b>				
Kit	Overhaul Kit (Transtec).....	05-ON	1	<b>SUB5.OHK01</b>
Kit	Overhaul Kit (Precision) (Without Pistons).....	05-ON	1	<b>SUB5.OHK51</b>
Kit	Overhaul Kit (Precision) (With Pistons).....	05-ON	1	<b>SUB5.OHK53</b>
<b>GASKETS</b>				
NI	Oil Pan Gasket.....	05-ON	1	<b>SUB5.GAS01</b>
<b>RUBBER COMPONENTS</b>				
<b>METAL CLAD SEALS</b>				
150H	Converter Seal.....	05-ON	1	<b>SUB4.MCS01</b>
<b>MOULDED PISTONS</b>				
Kit	Moulded Piston Kit (Precision)..	05-ON	1	<b>SUB5.PISKIT01</b>
<b>SEALING RINGS</b>				
<b>FRICTION PLATES</b>				
251B	Input Clutch (OEM) (161mm OD x 1.80mm x 60T) ..	05-ON	5	<b>RE5.FRP05</b>
251B	Input Clutch (Alto) (161mm OD x 1.80mm x 60T) ..	05-ON	5	<b>RE5.FRP55</b>
252C	High & Low Reverse Clutch (OEM) (125mm OD x 1.60mm x 30T) ..	05-ON	4	<b>RE5.FRP06</b>
252C	High & Low Reverse Clutch (Alto) (125mm OD x 1.60mm x 30T) ..	05-ON	4	<b>RE5.FRP56</b>
253C	Direct Clutch (OEM) (159mm OD x 1.80mm x 24T) ..	05-ON	5	<b>RE5.FRP07</b>
253C	Direct Clutch (Alto) (159mm OD x 1.80mm x 24T) ..	05-ON	5	<b>RE5.FRP57</b>
254D	Reverse Brake (Aftermarket) (168mm OD x 1.60mm x 50T) ..	05-ON	5	<b>RE5.FRP11</b>
254D	Reverse Brake (Alto) (168mm OD x 1.60mm x 50T) ..	05-ON	5	<b>RE5.FRP60</b>
255E	Forward Brake (OEM) (147mm OD x 1.60mm x 39T) ..	05-ON	4	<b>RE5.FRP09</b>
255E	Forward Brake (Alto) (147mm OD x 1.60mm x 39T) ..	05-ON	4	<b>RE5.FRP59</b>
256E	Low Coast Brake (OEM) (133mm OD x 1.60mm x 30T) ..	05-ON	3	<b>RE5.FRP10</b>
256E	Low Coast Brake (Alto) (133mm OD x 1.60mm x 30T) ..	05-ON	3	<b>RE5.FRP61</b>
257F	Transfer Clutch (Aftermarket) (118mm O.D. x 1.80mm x 50T) .....	05-ON	4	<b>SUB4.FRP12</b>

ILL NO.	DESCRIPTION	YEARS	QTY	PART NO
<b>STEEL PLATES</b>				
301B	Input Clutch (143mm ID x 2.00mm x 24T) ....	05-ON	5	<b>RE5.STP05</b>
301D	High & Low Reverse Clutch (94mm ID x 2.40mm x 24T) .....	05-ON	4	<b>RE5.STP06</b>
303C	Direct Clutch (141mm ID x 2.40mm x 24T) ....	05-ON	5	<b>RE5.STP07</b>
304D	Reverse Brake (151mm ID x 2.00mm x 18T) ....	05-ON	5	<b>RE5.STP12</b>
305F	Forward Clutch (124.5mm ID x 2.00mm x 18T) .	05-ON	4	<b>RE5.STP14</b>
306F	Low Coast Brake (113mm ID x 1.60mm x 16T) ....	05-ON	3	<b>RE5.STP10</b>
307F	Transfer Clutch (104.6mm ID x 1.60mm x 30T) .	95-ON	4	<b>SUB4.STP10</b>
<b>PRESSURE PLATES</b>				
403C	Direct Clutch (3.95mm Thick) .....	02-ON	1	<b>RE5.PP07</b>
404D	Reverse Brake .....	02-ON	1	<b>RE5.PP08</b>
<b>SPRINGS &amp; CIRCLIPS</b>				
<b>FILTERS</b>				
NI	Pick Up Filter.....	05-ON	1	<b>SUB4.FIL06</b>
<b>BUSHINGS</b>				
562H	Bell Housing to Converter Hub .	87-98	1	<b>SUB4.BUS01</b>
<b>THRUST WASHERS &amp; BEARINGS</b>				
<b>ELECTRICAL COMPONENTS</b>				
700H	Turbine Speed Sensor (With Loom) .....	05-ON	1	<b>SUB5.ELE01</b>
<b>VALVE BODY PARTS</b>				
<b>HARD PARTS</b>				
803A	Modified Input Shaft.....	05-ON	1	<b>SUB5.SH01</b>
<b>SPECIAL ITEMS</b>				

# SUBARU 5EAT 2005- 5 Speed 4WD



A  
U  
T  
O  
M  
A  
T  
I  
C  
  
C  
H  
O  
I  
C  
E

ILL NO. ....	DESCRIPTION	YEARS	QTY	PART NO
<b>TOOLS &amp; MANUALS</b>				

ILL NO. ....	DESCRIPTION	YEARS	QTY	PART NO



T  
H  
E  
  
A  
U  
T  
O  
M  
A  
T  
I  
C  
  
T  
R  
A  
N  
S  
M  
I  
S  
S  
I  
O  
N  
  
P  
A  
R  
T  
S  
  
W  
A  
R  
E  
H  
O  
U  
S  
E