

RE5R05A

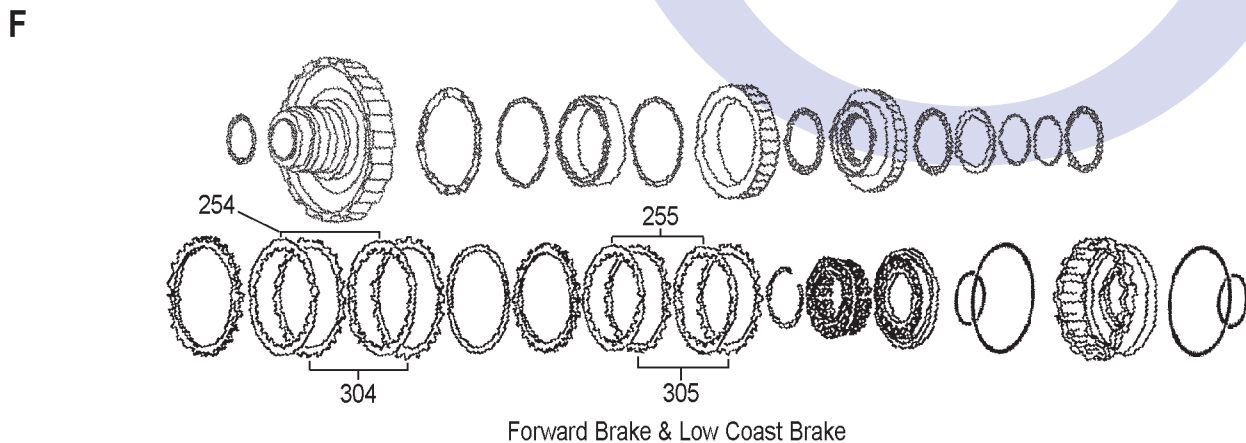
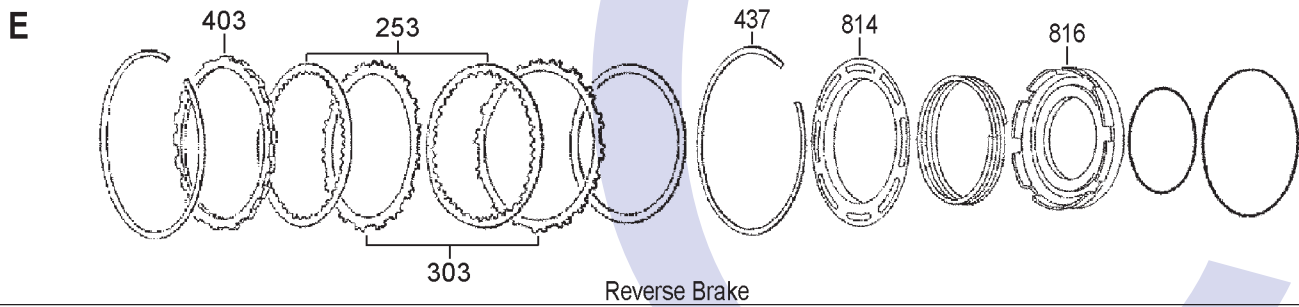
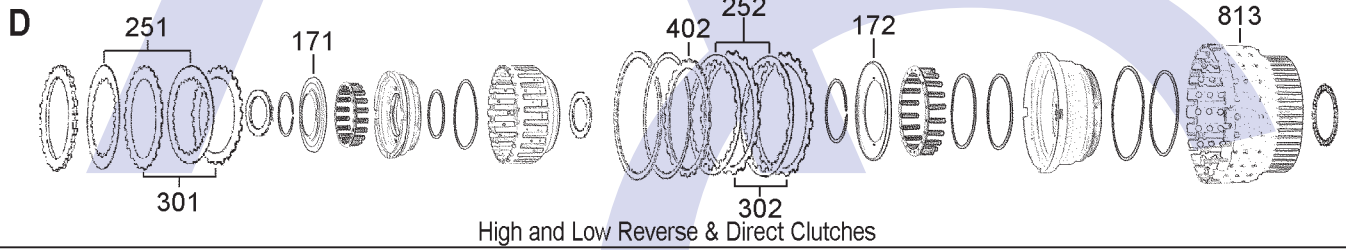
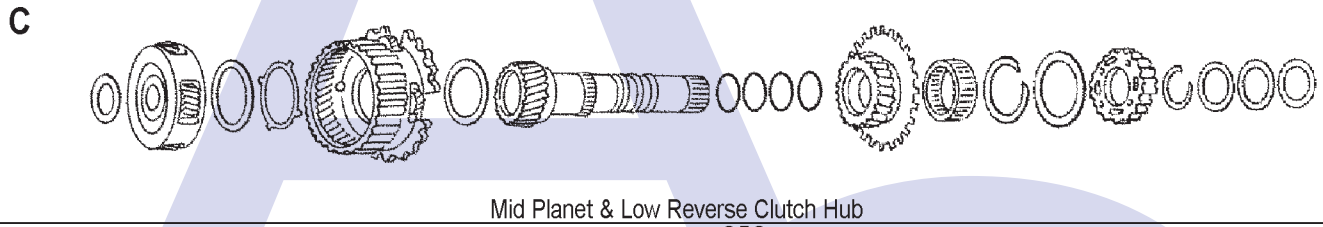
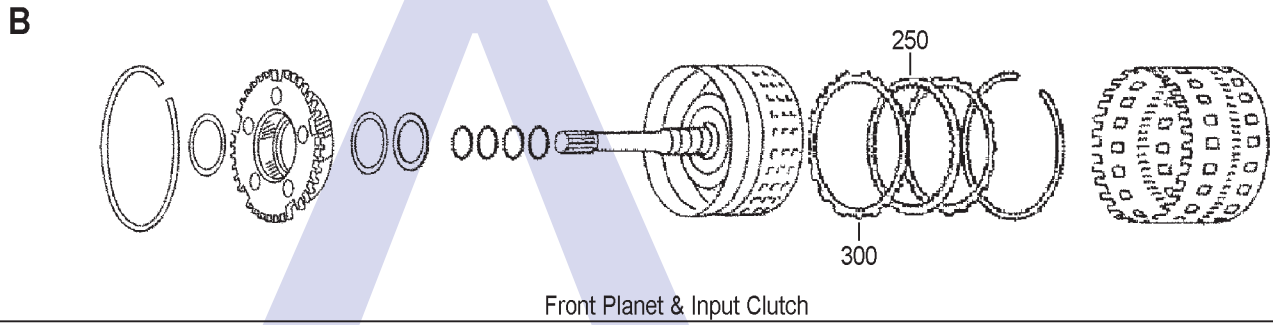
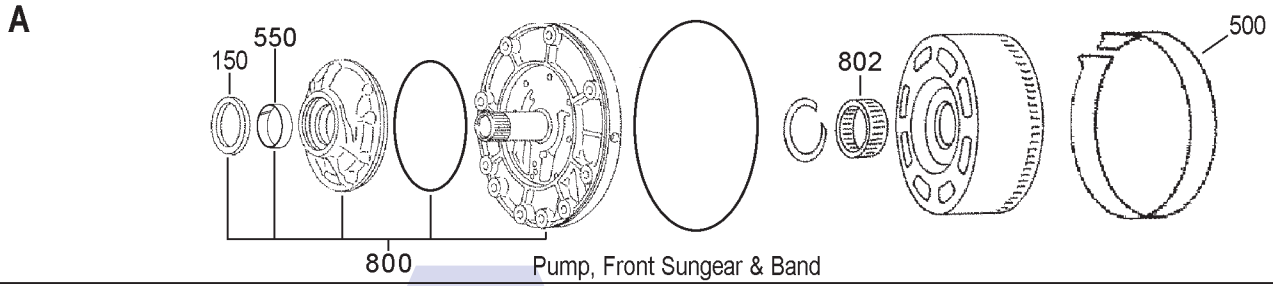
5 Speed RWD & 4WD (Electronic Control)



AUTOMATIC CHOICE



THE AUTOMATIC TRANSMISSION PARTS WAREHOUSE



RE5R05A

5 Speed RWD & 4WD (Electronic Control)

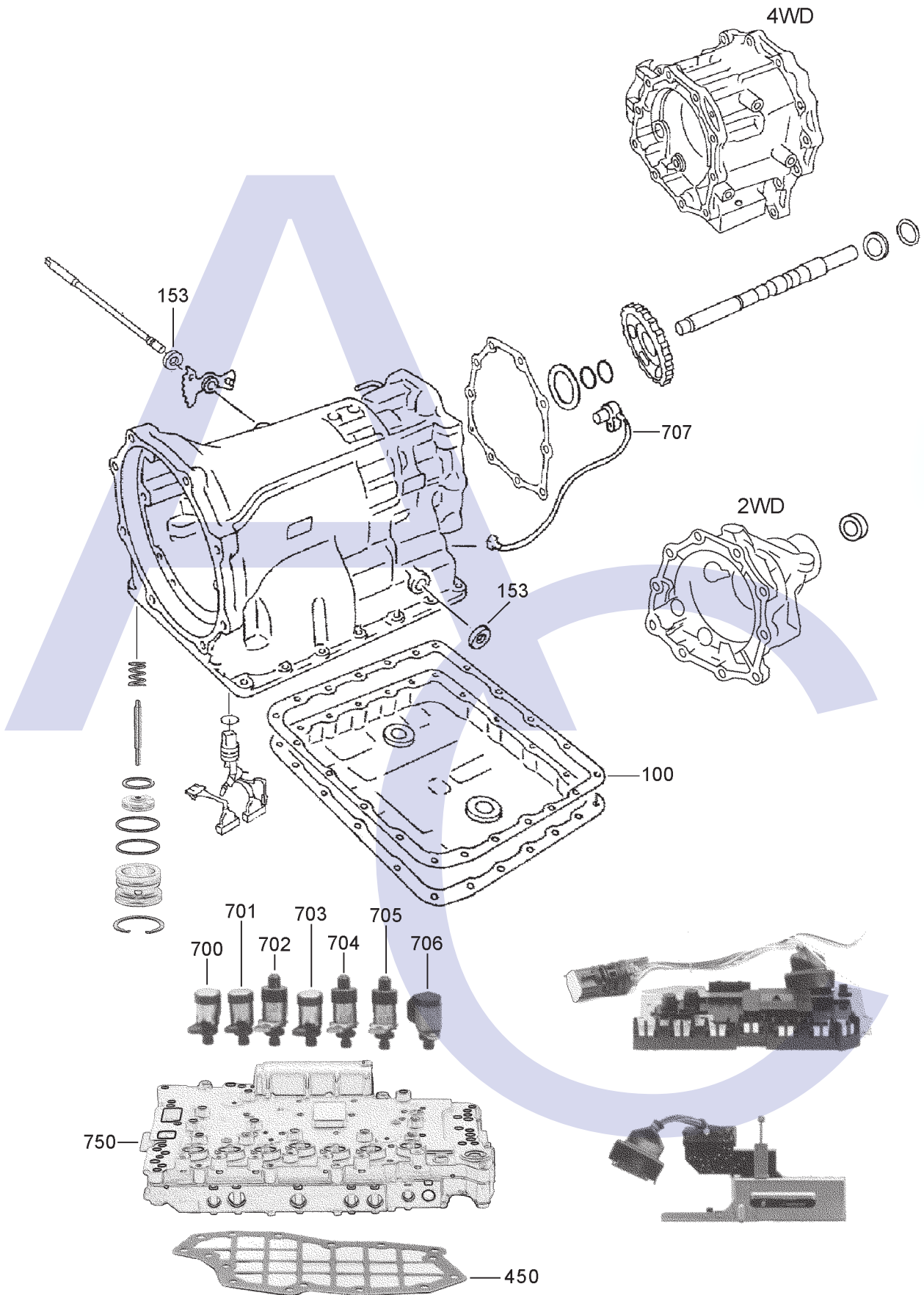


AUTOMATIC CHOICE



THE AUTOMATIC TRANSMISSION PARTS WAREHOUSE

G



RE5R05A

5 Speed RWD & 4WD (Electronic Control)



AUTOMATIC CHOICE



THE AUTOMATIC TRANSMISSION PARTS WAREHOUSE

ILL NO.	DESCRIPTION	YEARS	QTY	PART NO
KITS				
Kit	Master Overhaul	02-ON	1	RE5.MOHK01
Kit	Overhaul (Transtec) (Nissan Skyline, Armarda, Titan, 350Z) (Infiniti G35, FX45, M45, Q45, QX56)	03-ON	1	RE5.OHK03
Kit	Overhaul (Precision) (Nissan Skyline, Armarda, Titan, 350Z) (Infiniti G35, FX45, M45, Q45, QX56)	03-ON	1	RE5.OHK51
GASKETS				
100G	Pan Gasket (Kia Sorrento).....	02-ON	1	RE5.GAS01
100G	Pan Gasket (Nissan).....	02-ON	1	RE5.GAS02
RUBBER COMPONENTS				
METAL CLAD SEALS				
150A	Converter to Pump.....	02-ON	1	RL4.MCS01
153G	Selector Shaft	02-ON	2	RL43.MCS05
MOULDED PISTONS				
NI	Input Clutch, Moulded Top Piston	02-ON	1	RE5.PIS01
171D	High/Low & Rev, Moulded Top Piston	02-ON	1	RE5.PIS02
172D	Direct Clutch, Moulded Top Piston	02-ON	1	RE5.PIS03
SEALING RINGS				
FRICTION PLATES				
250B	Input Clutch (OEM) (161mm OD x 1.80mm x 60T) ..	02-ON	6-7	RE5.FRP05
250B	Input Clutch (Alto) (161mm OD x 1.80mm x 60T) ..	02-ON	6-7	RE5.FRP55
251D	High & Low Reverse Clutch (OEM) (125mm OD x 1.60mm x 30T) ..	02-ON	4-5	RE5.FRP06
251D	High & Low Reverse Clutch (Alto) (125mm OD x 1.60mm x 30T) ..	02-ON	4-5	RE5.FRP56
252D	Direct Clutch (OEM) (159mm OD x 1.80mm x 24T) ..	02-ON	5	RE5.FRP07
252D	Direct Clutch (Alto) (159mm OD x 1.80mm x 24T) ..	02-ON	5	RE5.FRP57
253E	Reverse Brake (OEM) (167.5mm OD x 1.63mm x 40T) 02-ON		7	RE5.FRP08
253E	Reverse Brake (Alto) (167.5mm OD x 1.63mm x 40T) 02-ON		7	RE5.FRP58
253E	Reverse Brake (Alto) (167.5mm OD x 1.80mm x 40T) 02-ON		5	RE5.FRP62
253E	Reverse Brake (Aftermarket) (167.6mm OD x 1.70mm x 50T) 02-ON		6	RE5.FRP11
253E	Reverse Brake (Alto) (167.6mm OD x 1.70mm x 50T) 02-ON		6	RE5.FRP60

ILL NO.	DESCRIPTION	YEARS	QTY	PART NO
FRICTION PLATES Cont...				
254F	Forward Brake (OEM) (147mm OD x 1.60mm x 39T) ..	02-ON	5	RE5.FRP09
254F	Forward Brake (Alto) (147mm OD x 1.60mm x 39T) ..	02-ON	5	RE5.FRP59
255F	Low Coast Brake (OEM) (133mm OD x 1.60mm x 30T) ..	02-ON	3	RE5.FRP10
255F	Low Coast Brake (Alto) (133mm OD x 1.60mm x 30T) ..	02-ON	3	RE5.FRP61
STEEL PLATES				
300B	Input Clutch (143mm ID x 2.00mm x 24T)	02-ON	6	RE5.STP05
301D	High & Low Reverse Clutch (94mm ID x 2.40mm x 24T)	02-ON	4	RE5.STP06
301D	High & Low Reverse Clutch (Wide Teeth).....	04-ON	4	RE5.STP16
302D	Direct Clutch (141mm ID x 2.40mm x 24T)	02-ON	5	RE5.STP07
303E	Reverse Brake (151mm ID x 1.60mm x 18T)	02-ON	6	RE5.STP08
303E	Reverse Brake (151mm ID x 2.00mm x 18T)	02-ON	6	RE5.STP13
304F	Forward Brake 'B3' (OEM) (124mm ID x 1.60mm x 16T)	02-ON	5	RE5.STP09
304F	Forward Brake 'B3' (Aftermarket) (124mm ID x 1.60mm x 16T)	02-ON	5	RE5.STP11
304F	Forward Clutch (124.5mm ID x 2.00mm x 18T) .	02-ON	5	RE5.STP14
305F	Low Coast Brake (113mm ID x 1.60mm x 16T)	02-ON	4	RE5.STP10
PRESSURE PLATES				
402D	Direct Clutch (3.95mm Thick).....	02-ON	1	RE5.PP07
403E	Reverse Brake (4.60mm).....	02-ON	1	RE5.PP08
SPRINGS & CIRCLIPS				
437D	Circlip, Reverse Brake Spring Retainer (Early Thin Type) This part is no longer available and once stock is depleted RE5.CIR06 must be used as a replacement	02-ON	1	RE5.CIR05
437D	Circlip, Reverse Brake Spring Retainer (Late Thick Type) This part will not retro fit into early casings, if used to replace an early circlip the main case will need machining	02-ON	1	RE5.CIR06
FILTERS				
450G	Oil Pick Up (OEM) (Metal With 16 Bolt Holes)	02-ON	1	RE5.FIL03
450G	Oil Pick Up (Aftermarket) (Metal With 16 Bolt Holes)	03-ON	1	RE5.FIL13

RE5R05A

5 Speed RWD & 4WD (Electronic Control)



AUTOMATIC CHOICE



THE AUTOMATIC TRANSMISSION PARTS WAREHOUSE

ILL NO.	DESCRIPTION	YEARS	QTY	PART NO
BANDS				
500A	Front Brake	02-ON	1	RE5.BAN04
BUSHINGS				
Kit	Bush Kit.....	02-ON	1	RE5.BK01
550A	Pump to Converter.....	02-ON	1	RE5.BUS01
THRUST WASHERS & BEARINGS				
ELECTRICAL COMPONENTS				
700G	Solenoid, Line Pressure (Flat Metal Back) (PWM Normally Vented)	02-ON	1	RE5.SOL04
701G	Solenoid, TCC Control (Flat Metal Back) (PWM Normally Vented)	02-ON	1	RE5.SOL04
702G	Solenoid, Direct Clutch (Plastic Dome on Back) (PWM Normally Applied).....	02-ON	1	RE5.SOL03
703G	Solenoid, Front Brake Band Control (Flat Metal Back) (PWM Normally Vented)	02-ON	1	RE5.SOL04
704G	Solenoid, Input Clutch Control (Plastic Dome on Back) (PWM Normally Applied).....	02-ON	1	RE5.SOL03
705G	Solenoid, High & Low (Plastic Dome on Back) (PWM Normally Applied).....	02-ON	1	RE5.SOL03
706G	Solenoid, Low Coast Brake (Flat Plastic Back) (On/Off Normally Open).....	02-ON	1	RE5.SOL05
707G	Output Speed Sensor	02-ON	1	RE5.ELE05
VALVE BODY PARTS				
750G	Valve Body, New OEM, Various (VIN Code Required)	02-ON	1	RE5.VBxx
HARD PARTS				
800A	Pump Assembly, V6 Engine (80mm Stator)	02-ON	1	RE5.PUM02
800A	Pump Assembly (90mm Stator)	02-ON	1	RE5.PUM01
802A	3rd Sprag	02-ON	1	RE5.OWC01
813D	Direct Clutch Drum & Piston Assembly.....	02-ON	1	RE5.DRU07
813D	Direct Clutch Drum Only (40T Hub).....	02-ON	1	RE5.DRU08
814E	Retainer, Reverse Brake Return Spring.....	02-ON	1	RE5.RET05
816E	Piston, Reverse Brake	02-ON	1	RE5.PIS05

ILL NO.	DESCRIPTION	YEARS	QTY	PART NO
SPECIAL ITEMS				
TOOLS & MANUALS				
NI	ATSG Rebuild Manual	02-ON	1	RE5.MAN01