

# NISSAN RE4R03A

## 4 SPEED RWD (Electronic Control)

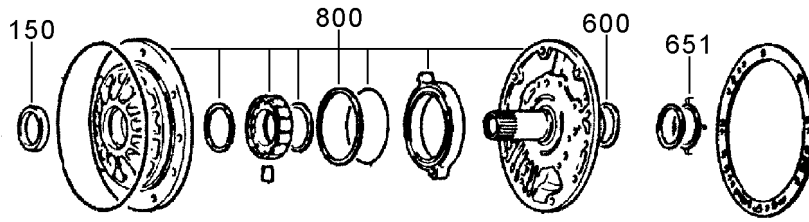


AUTOMATIC CHOICE



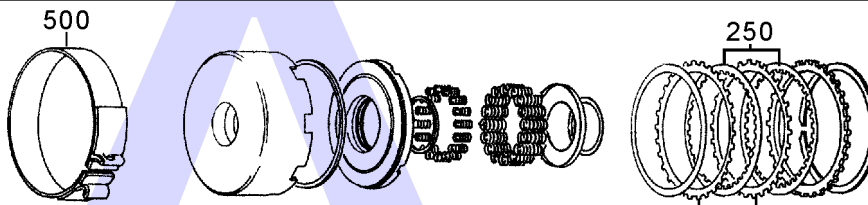
THE AUTOMATIC TRANSMISSION PARTS WAREHOUSE

A



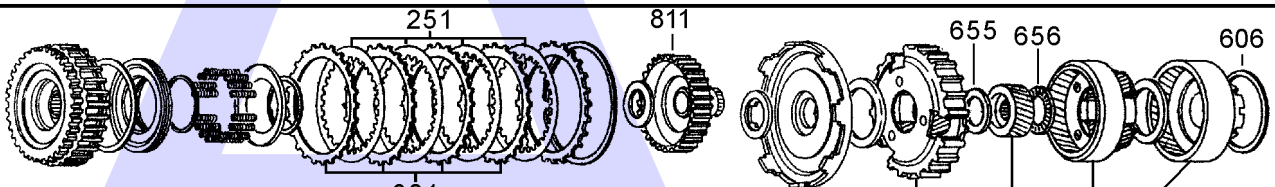
PUMP

B



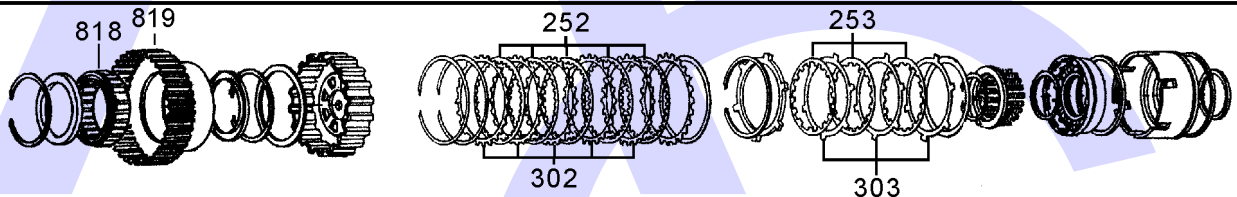
REVERSE CLUTCH

C



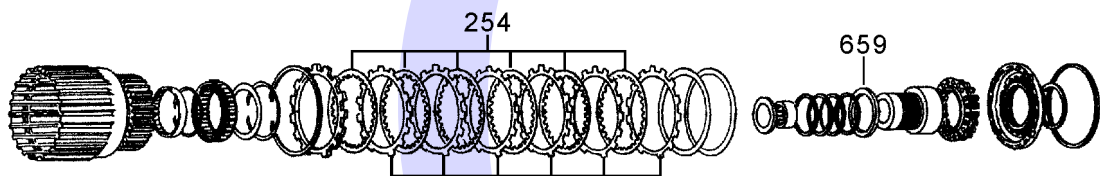
HIGH CLUTCH AND PLANET SET

D



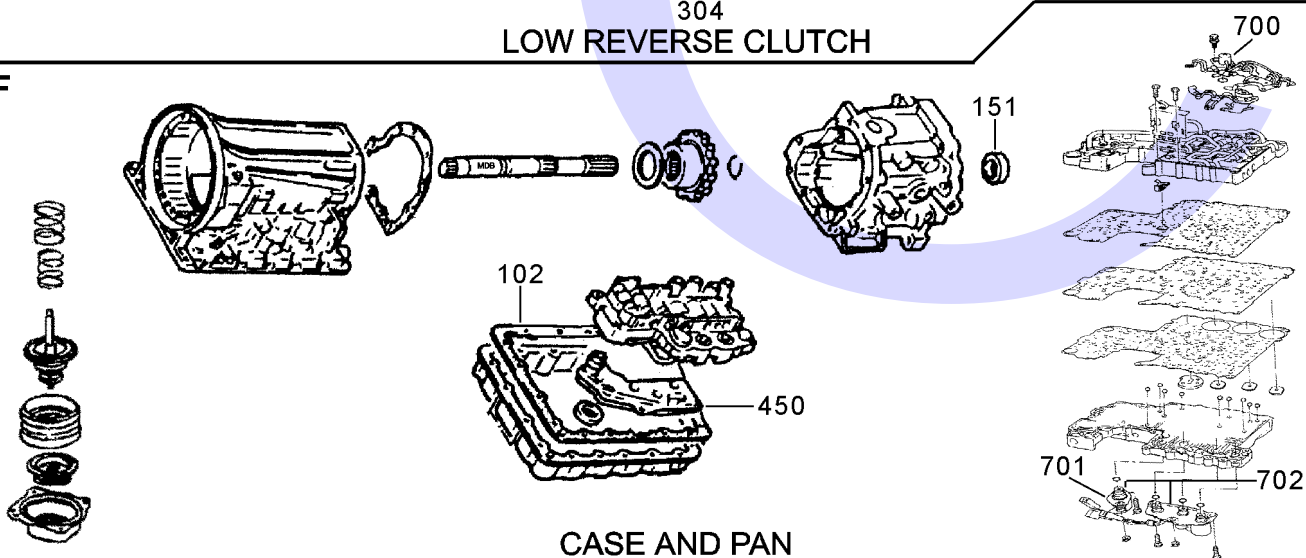
FORWARD AND OVERRUN CLUTCHES

E



LOW REVERSE CLUTCH

F



CASE AND PAN

# NISSAN RE4R03A

## 4 SPEED RWD (Electronic Control)



AUTOMATIC CHOICE

ILL NO.	DESCRIPTION	YEARS	QTY	PART NO
<b>KITS</b>				
Kit	Master Overhaul .....	90-ON	1	RE4.MOHK03
Kit	Overhaul Kit (Transtec).....	90-ON	1	RE4.OHK02
Kit	Overhaul Kit (Precision).....	90-ON	1	RE4.OHK51
Kit	Overhaul Kit (Bryco) .....	90-ON	1	RE4.OHK03
<b>GASKETS</b>				
102F	Pan Gasket (RE4R03A).....	90-ON	1	RE4.GAS02
<b>RUBBER COMPONENTS</b>				
NI	'D' Ring - 60mm Servo.....	90-ON	1	RE4.OR02
NI	Filter to V. Body 'O' Ring.....	90-ON	1	RE4.OR04
<b>METAL CLAD SEALS</b>				
150A	Converter Seal.....	88-ON	1	RL4.MCS01
151F	Extension Housing 2WD (58mm x 40.50mm).....	88-ON	1	RE4.MCS02
<b>MOULDED PISTONS</b>				
<b>SEALING RINGS</b>				
<b>FRICTION PLATES</b>				
Kit	Friction Plate (RE4R03A) .....	90-ON	1	RE4.FRK02
Kit	Friction Plate (Alto) (RE4R03A) .....	88-ON	1	RE4.FRK52
Kit	Friction Plate (Alto) (RL4R03A 1.6 & 2.0 Ltr) .....	91-94	1	RL4.FRK51
Kit	Friction Plate (Alto) (RL4R03A 1.6 & 2.0 Ltr) .....	95-ON	1	RL4.FRK52
250B	Reverse Input (156mm OD x 2.00mm x 64T) ..	90-ON	3	RE4.FRP13
251C	High Clutch (156mm OD x 1.60mm x 64T) ..	90-ON	6-7	RE4.FRP14
252D	Forward Clutch (168mm OD x 2.00mm x 50T) ..	90-ON	7-9	RE4.FRP11
253D	Overrun Clutch (Nissan) (155mm OD x 1.60mm x 20T) ..	90-ON	4	RE4.FRP12
253D	Overrun Clutch (Mazda Q45) (155mm OD x 2.00mm x 20T) ..	90-ON	5	RE4.FRP15
254E	Low-Reverse (156mm OD x 1.60mm x 33T) ..	90-ON	8	RE4.FRP16
<b>STEEL PLATES</b>				
Kit	Steel Plate (RE4R03A).....	90-ON	1	RE4.STK02
Kit	Steel Plate (Alto) (RE4R01A) .....	88-ON	1	RE4.STK52
300B	Reverse Input (133mm ID x 2.00mm x 40T)....	90-ON	3	RE4.STP14

ILL NO.	DESCRIPTION	YEARS	QTY	PART NO
<b>STEEL PLATES Cont...</b>				
301C	High Clutch (133mm ID x 2.00mm x 40T)....	90-ON	6-7	RE4.STP14
301C	High Clutch (133mm ID x 3.00mm x 40T)....	90-ON	6-7	RE4.STP17
302D	Forward Clutch (155mm ID x 2.00mm x 36T)....	90-ON	8-9	RE4.STP11
303D	Overrun Clutch (137mm ID x 2.00mm x 6/12T) .	90-ON	5-7	RE4.STP12
304E	Low-Reverse (140mm ID x 2.00mm x 11T) ....	90-ON	8-9	RE4.STP16
<b>PRESSURE PLATES</b>				
<b>SPRINGS &amp; CIRCLIPS</b>				
<b>FILTERS</b>				
450F	Filter 25mm Pick Up .....	90-ON	1	RE4.FIL01
450F	Filter.....	90-ON	1	RE4.FIL02
450F	Filter 49mm Pick Up .....	90-ON	1	RE4.FIL04
450F	Filter 19mm Pick Up .....	90-ON	1	SUB4.FIL03
<b>BANDS</b>				
500B	Band .....	90-ON	1	RE4.BAN01
<b>BUSHINGS</b>				
Kit	Bush Kit .....	90-ON	1	RE4.BK02
NI	Pump Body Bush.....	90-ON	1	RL4.BUS01
NI	One Piece Rear Case Bush (Modified).....	90-ON	1	RE4.BUS03
<b>THRUST WASHERS &amp; BEARINGS</b>				
Kit	Bearing Kit (Planetary).....	87-ON	1	RE4.TWK02
600A	Thrust Washer Pump - Rev Input Selective (0.89mm Thick Plastic) .....	87-ON	AR	RL4.THW01
	(1.00mm Thick Plastic) .....	87-ON	AR	RL4.THW02
	(1.30mm Thick Plastic) .....	87-ON	AR	RL4.THW03
	(1.70mm Thick Plastic) .....	87-ON	AR	RL4.THW04
	(1.93mm Thick Plastic) .....	87-ON	AR	RL4.THW05
606D	Thrust Washer, Ring Gear to Forward Clutch Hub.....	87-ON	1	RE4.THW01
651A	Race Pump to High Drum Selective (1.60mm Thick 3 Tang) .....	87-ON	AR	RL4.THW10
	(1.78mm Thick 3 Tang) .....	87-ON	AR	RL4.THW11
	(2.00mm Thick 3 Tang) .....	87-ON	AR	RL4.THW12
655C	Bearing Front Planet to Sun G. .	90-ON	1	RE4.TOR01
656C	Bearing Rear Planet to Sun G. .	90-ON	1	RE4.TOR01
659E	Shim Fwd Drum to Hub Update (Replaces Bearing With Race) .	88-ON	1	RE4.TOR02



THE AUTOMATIC TRANSMISSION PARTS WAREHOUSE

# NISSAN RE4R03A

## 4 SPEED RWD (Electronic Control)



AUTOMATIC CHOICE



THE AUTOMATIC TRANSMISSION PARTS WAREHOUSE

ILL NO.	DESCRIPTION	YEARS	QTY	PART NO
<b>ELECTRICAL COMPONENTS</b>				
700F	Lock Up Solenoid 12V System .....	90-ON	1	RE4.SOL03
700F	Lock Up Solenoid 24V System .....	90-ON	1	RE4.SOL07
701	EPC Solenoid 12 Volt .....	90-ON	1	RL4.SOL02
702F	Solenoid Set (4 Pieces) Vehicles with 12 Volt Systems ..	90-ON	1	RE4.SOL01
702F	Solenoid Set (4 Pieces) Vehicles with 24 Volt Systems ..	90-ON	1	RE4.SOL04
<b>VALVE BODY PARTS</b>				
NI	Pressure Regulator Spring (If faulty will cause low line pressure)		1	RE4.SPR01
NI	Pressure Modifier Valve Spring (If faulty will cause low line pressure)		1	RE4.SPR02
<b>Note:</b> Both the above springs should be replaced together.				
<b>HARD PARTS</b>				
800A	Pump Assy no Sensor Bore .....	90-ON	1	RE4.PUM01
811C	Hub, High Clutch .....	90-ON	1	RE4.HUB02
812C	Planetary Package .....	90-ON	1	RE4.PL01
818D	Forward Sprag (30 Cam) .....	90-ON	1	RE4.OWC01
819D	Hub, Forward Clutch .....	90-ON	1	RE4.HUB01
NI	Input Shaft (381mm Long) .....	90-ON	1	RE4.SH01
<b>SPECIAL ITEMS</b>				
NI	Washer, Cooler Pipe (Aluminium) .....	87-ON	1	RE4.WA01
<b>TOOLS &amp; MANUALS</b>				

ILL NO.	DESCRIPTION	YEARS	QTY	PART NO
---------	-------------	-------	-----	---------