

NISSAN RE4R01A, MAZDA R4A-EL

4 SPEED RWD (Electronic Control)

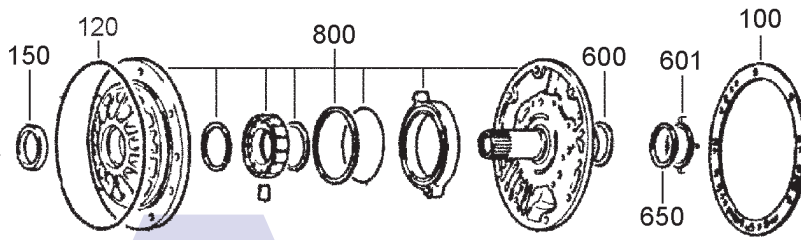


AUTOMATIC CHOICE



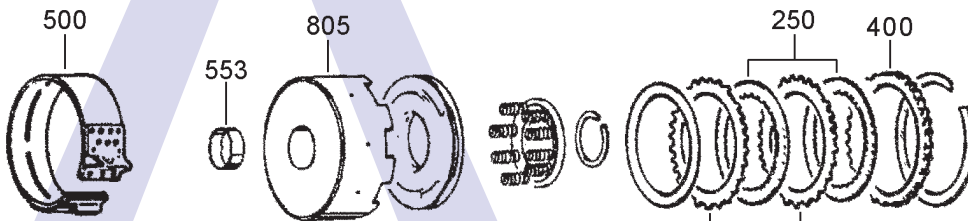
THE AUTOMATIC TRANSMISSION PARTS WAREHOUSE

A



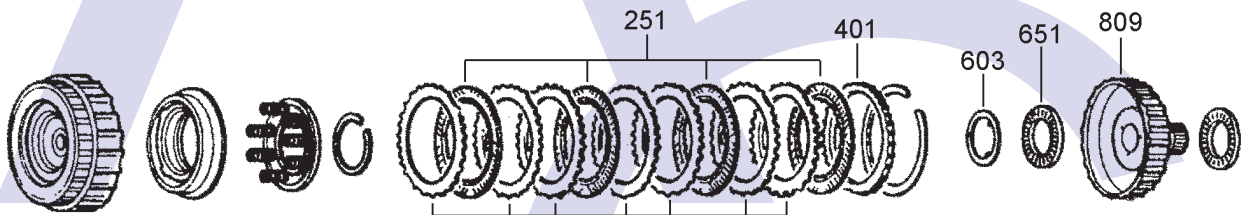
Pump Assembly

B



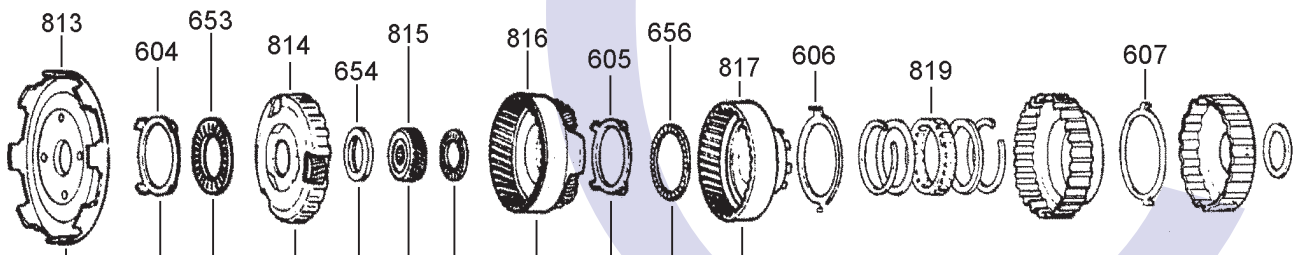
Reverse Input

C



High Clutch

D



Sun Gear & Shell

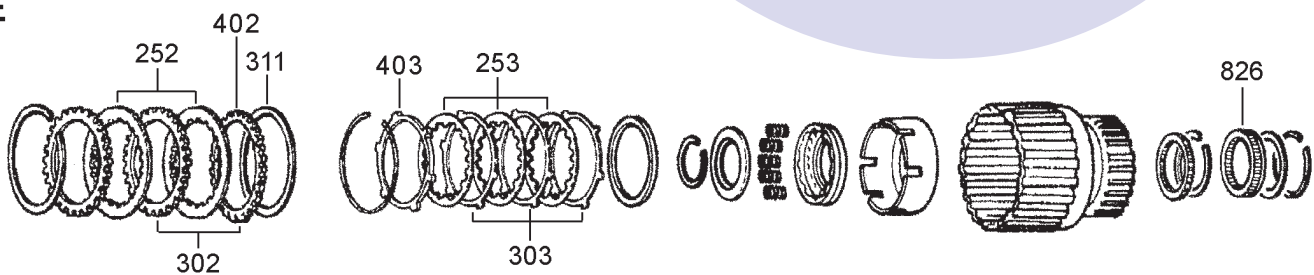
Front Planet

Rear Planet

Sprag Assy

Clutch Hub

E



Forward Clutch

Overrun Clutch

Input Drum

NISSAN RE4R01A, MAZDA R4A-EL

4 SPEED RWD (Electronic Control)

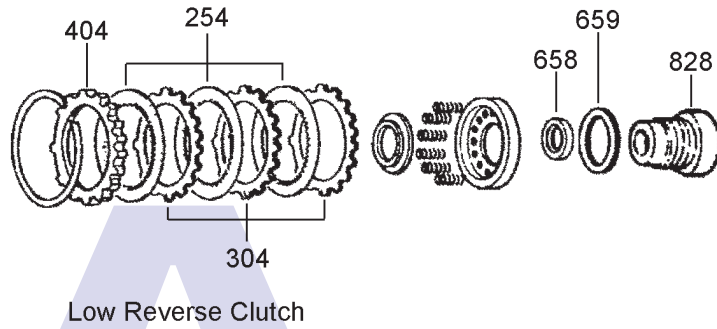


AUTOMATIC CHOICE



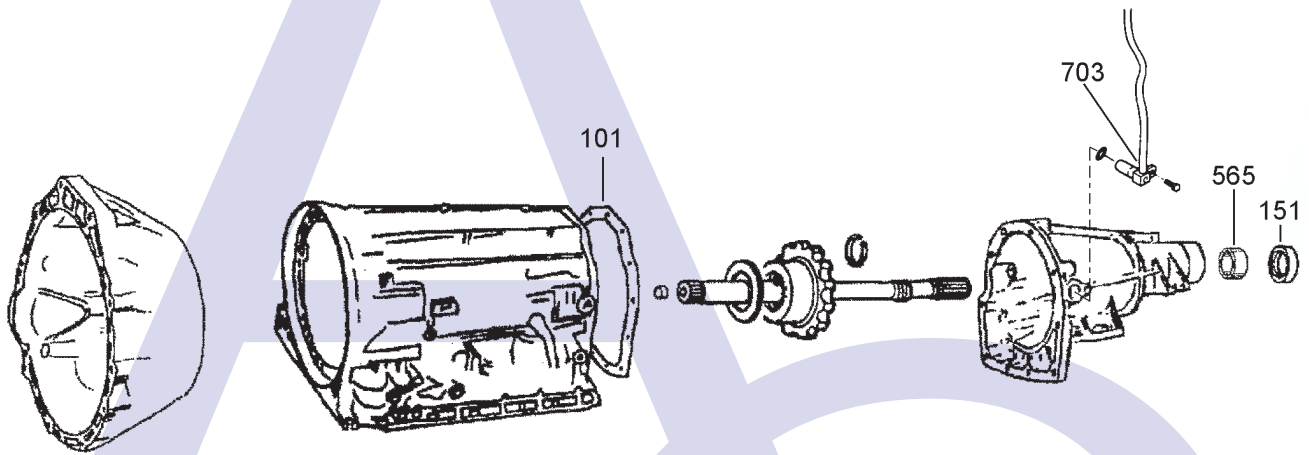
THE AUTOMATIC TRANSMISSION PARTS WAREHOUSE

F



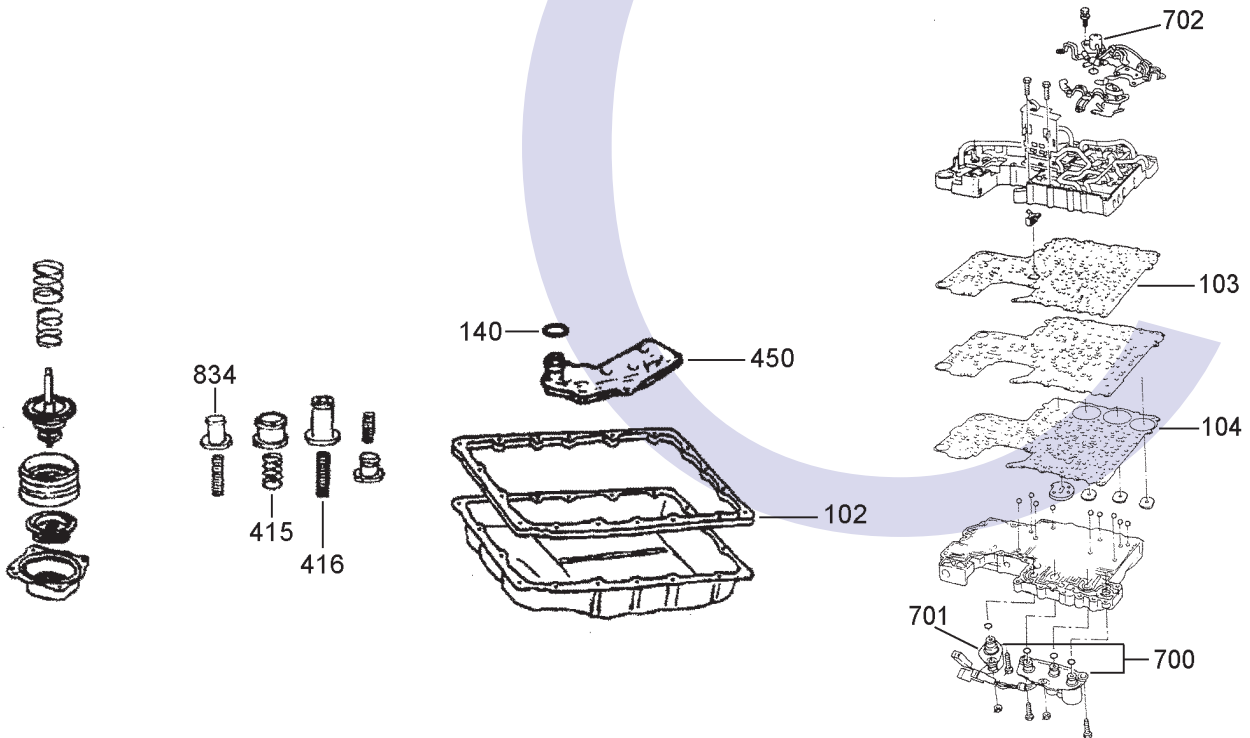
Low Reverse Clutch

G



Casings & Output Shaft

H



Valve Body, Oil Pan Etc

NISSAN RE4R01A, MAZDA R4A-EL 4 SPEED RWD (Electronic Control)



AUTOMATIC CHOICE



THE AUTOMATIC TRANSMISSION PARTS WAREHOUSE

ILL NO.	DESCRIPTION	YEARS	QTY	PART NO
KITS				
Kit	Master Overhaul RE/RL4R01A.	87-ON	1	RE4.MOHK01
Kit	Overhaul Kit RE/RL4R01A (Transtec).....	87-ON	1	RE4.OHK01
Kit	Overhaul Kit RE/RL4R01A (Precision).....	87-ON	1	RE4.OHK51
Kit	Servo Sub Kit.....	87-ON	1	RE4.ORK01
GASKETS				
100A	Pump Gasket (Metal).....	87-ON	1	RE4.GAS07
101G	Extension Housing Gasket.....	87-ON	1	RE4.GAS08
102H	Pan Gasket All (Cork).....	87-ON	1	RE4.GAS01
102H	Pan Gasket All (Duraprene).....	87-ON	1	RE4.GAS10
103H	Upper Valve Body Gasket (RE4R01A).....	87-ON	1	RE4.GAS03
103H	Upper Valve Body Gasket (R4A-EL).....	93-ON	1	RE4.GAS05
104H	Lower Valve Body Gasket (RE4R01A).....	87-ON	1	RE4.GAS04
104H	Lower Valve Body Gasket (R4A-EL).....	93-ON	1	RE4.GAS06
NI	Valve Body Large RE4R01B (Nissan Skyline).....	92-ON	1	RE4.GAS13
NI	Valve Body Small RE4R01B (Nissan Skyline).....	92-ON	1	RE4.GAS14
RUBBER COMPONENTS				
120A	Pump 'O' Ring.....	87-ON	1	RE4.OR01
140H	Filter 'O' Ring.....	87-ON	1	RE4.OR04
NI	'D' Ring - 60mm Servo.....	87-ON	1	RE4.OR02
NI	'D' Ring, Fwd Clutch Outer.....	03-ON	1	RE4.OR03
METAL CLAD SEALS				
150A	Convertor Seal All.....	87-ON	1	RL4.MCS01
151G	Extension Housing Nissan RE4R01A (38mm x 50mm x 11mm).....	87-ON	1	RE4.MCS01
NI	Adaptor Housing (60mm x 38mm).....	87-ON	1	RE4.MCS03
MOULDED PISTONS				
SEALING RINGS				
Kit	Sealing Ring Kit.....	87-ON	1	RE4.SRK01
FRICITION PLATES				
Kit	Friction Plate (Alto) (RE4R01A 2WD).....	90-94	1	RE4.FRK55
Kit	Friction Plate (Alto) (Pathfinder 4WD).....	90-92	1	RE4.FRK56
Kit	Friction Plate (Alto) (Pickup 4WD).....	88-92	1	RE4.FRK56
Kit	Friction Plate (Alto) (300ZX).....	89-92	1	RE4.FRK56

ILL NO.	DESCRIPTION	YEARS	QTY	PART NO
FRICITION PLATES Cont...				
Kit	Friction Plate (Alto) (Infiniti J30).....	1992	1	RE4.FRK56
Kit	Friction Plate (Alto) (240SX).....	89-95	1	RE4.FRK58
Kit	Friction Plate (Alto) (240SX).....	1996	1	RE4.FRK57
Kit	Friction Plate (Alto) (Pickup 2WD V6).....	90-96	1	RE4.FRK58
250B	Reverse Input (149mm OD x 2.00mm x 34T) ..	87-92	2	SUB4.FRP04
250B	Reverse Input (Aftermarket) (149mm OD x 2.00mm x 30T) ..	92-ON	2	SUB4.FRP09
250B	Reverse Input (OEM) (149mm OD x 2.00mm x 30T) ..	92-ON	2	SUB4.FRP39
251C	High 3-4 Clutch (Aftermarket) (132mm OD x 1.60mm x 30T) ..	87-ON	4-5	RL4.FRP08
251C	High 3-4 Clutch (OEM) (132mm OD x 1.60mm x 30T) ..	87-ON	4-5	RL4.FRP18
252E	Forward (Aftermarket) (148mm OD x 1.60mm x 36T) ..	87-ON	5-7	SUB4.FRP01
252E	Forward (OEM) (148mm OD x 1.60mm x 36T) ..	87-ON	5-7	SUB4.FRP31
252E	Forward (148mm OD x 2.00mm x 36T) ..	89-ON	5-7	SUB4.FRP11
253E	Overrun (Aftermarket) (133mm OD x 2.00mm x 18T) ..	87-ON	3	SUB4.FRP02
253E	Overrun (OEM) (133mm OD x 2.00mm x 18T) ..	87-ON	3	SUB4.FRP32
254F	Low & Reverse (Aftermarket) (147mm OD x 2.00mm x 30T) ..	87-ON	4-8	SUB4.FRP03
254F	Low & Reverse (OEM) (147mm OD x 2.00mm x 30T) ..	87-ON	4-8	SUB4.FRP33
254F	Low & Reverse (Aftermarket) (147mm OD x 1.60mm x 30T) ..	95-ON	4-6	SUB4.FRP07
254F	Low & Reverse (OEM) (147mm OD x 1.60mm x 30T) ..	95-ON	4-6	SUB4.FRP37
NI	Transfer Case QX-4 (125mm ID x 1.95mm x 40T)	97-ON	8	SUB4.FRP06
STEEL PLATES				
Kit	Steel Plate (Alto) (Nissan Van).....	1989	1	RE4.STK58
Kit	Steel Plate (Alto) (Pathfinder 4WD).....	88-89	1	RE4.STK55
Kit	Steel Plate (Alto) (Pathfinder 4WD).....	90-92	1	RE4.STK60
Kit	Steel Plate (Alto) (Pathfinder 4WD).....	95-96	1	RE4.STK62
Kit	Steel Plate (Alto) (Pathfinder All).....	96-ON	1	RE4.STK62
Kit	Steel Plate (Alto) (Pickup 4WD).....	88-91	1	RE4.STK55
Kit	Steel Plate (Alto) (Pickup 4WD).....	88-92	1	RE4.STK60
Kit	Steel Plate (Alto) (Pickup 4WD).....	93-96	1	RE4.STK62
Kit	Steel Plate (Alto) (Pickup 2WD V6).....	90-96	1	RE4.STK58
Kit	Steel Plate (Alto) (240SX).....	89-92	1	RE4.STK56
Kit	Steel Plate (Alto) (240SX).....	89-92	1	RE4.STK56
Kit	Steel Plate (Alto) (300ZX Non Turbo).....	89-92	1	RE4.STK61
Kit	Steel Plate (Alto) (300ZX Non Turbo).....	93-97	1	RE4.STK62

NISSAN RE4R01A, MAZDA R4A-EL

4 SPEED RWD (Electronic Control)



AUTOMATIC CHOICE



THE AUTOMATIC TRANSMISSION PARTS WAREHOUSE

ILL NO.	DESCRIPTION	YEARS	QTY	PART NO
STEEL PLATES Cont...				
Kit	Steel Plate (Alto) (Infiniti M30)	90-91	1	RE4.STK56
Kit	Steel Plate (Alto) (Infiniti J30)	1992	1	RE4.STK57
Kit	Steel Plate (Alto) (Infiniti J30)	93-ON	1	RE4.STK62
Kit	Steel Plate (Alto) (Infiniti QX4)	97-ON	1	RE4.STK62
Kit	Steel Plate (Alto) (Xterra)	00-ON	1	RE4.STK62
Kit	Steel Plate (Alto) (R4A-EL, RB4A-EL)	88-94	1	R4A.STK51
Kit	Steel Plate (Alto) (R4A-EL, RB4A-EL)	94-99	1	R4A.STK52
300B	Reverse Input Shark Tooth (130mm ID x 2.00mm x 30T)	87-92	2	RE4.STP03
300B	Reverse Input Square Tooth (130mm ID x 2.00mm x 30T)	87-92	2	RL4.STP09
300B	Reverse Input (130mm ID x 2.00mm x 30T)	93-ON	2	SUB4.STP09
300B	Reverse Input (136mm ID x 2.80mm x 30T)	96-ON	2	RE4.STP09
301C	High Clutch (110mm ID x 1.70mm x 27T)	88-93	7	RL4.STP13
301C	High Clutch (110mm ID x 2.00mm x 27T)	89-ON	3-5	RL4.STP11
301C	High Clutch (110mm ID x 2.75mm x 27T)	87-ON	AR	SUB4.STP11
301C	High Clutch (110mm ID x 3.00mm x 27T)	87-ON	5	RL4.STP10
302E	Forward (130mm ID x 2.00mm x 24T)	88-ON	5-7	SUB4.STP01
302E	Forward (130mm ID x 1.80mm x 24T)	87-ON	7	SUB4.STP13
303E	Overrun (115mm ID x 2.00mm x 6T)	87-ON	5	SUB4.STP02
304F	Low & Reverse 2 Thin Teeth (125mm ID x 2.00mm x 14T)	87-ON	6-7	SUB4.STP03
311E	Cushion Plate, Forward Clutch	87-ON	1	RE4.DIA01
PRESSURE PLATES				
400B	Reverse Input (4.80mm Thick)	87-ON	AR	RE4.PP18
	(5.00mm Thick)	87-ON	AR	RE4.PP19
	(5.20mm Thick)	87-ON	AR	RE4.PP20
	(5.40mm Thick)	87-ON	AR	RE4.PP21
401C	High Clutch (3.40mm Thick)	87-ON	AR	RE4.PP14
	(3.60mm Thick)	87-ON	AR	RE4.PP15
	(3.80mm Thick)	87-ON	AR	RE4.PP16
	(4.00mm Thick)	87-ON	AR	RE4.PP10
	(4.20mm Thick)	87-ON	AR	RE4.PP11
	(4.30mm Thick)	87-ON	AR	RE4.PP04
	(4.40mm Thick)	87-ON	AR	RE4.PP05
	(4.60mm Thick)	87-ON	AR	RE4.PP12
	(4.80mm Thick)	87-ON	AR	RE4.PP13
402E	Forward Clutch (8.00mm Thick)	87-ON	AR	RE4.PP25
	(8.20mm Thick)	87-ON	AR	RE4.PP26
	(8.40mm Thick)	87-ON	AR	RE4.PP27
	(8.60mm Thick)	87-ON	AR	RE4.PP28
	(8.80mm Thick)	87-ON	AR	RE4.PP29
403E	Overrun Clutch (4.40mm Thick)	87-ON	AR	RE4.PP22
	(4.60mm Thick)	87-ON	AR	RE4.PP23
	(4.80mm Thick)	87-ON	AR	RE4.PP24

ILL NO.	DESCRIPTION	YEARS	QTY	PART NO
PRESSURE PLATES Cont...				
404F	Low/Reverse Clutch (7.00mm Thick)	87-ON	AR	RE4.PP17
	(7.20mm Thick)	87-ON	AR	RE4.PP06
	(7.40mm Thick)	87-ON	AR	RE4.PP07
	(7.60mm Thick)	87-ON	AR	RE4.PP08
	(7.80mm Thick)	87-ON	AR	RE4.PP09
	(8.00mm Thick)	87-ON	AR	RE4.PP30
	(8.20mm Thick)	87-ON	AR	RE4.PP31
	(8.40mm Thick)	87-ON	AR	RE4.PP32
	(8.60mm Thick)	87-ON	AR	RE4.PP33
SPRINGS & CIRCLIPS				
415H	Spring, 1-2 Accumulator.....	87-ON	1	RE4.SPR06
416H	Spring, 2-3 Accumulator.....	87-ON	1	RE4.SPR05
NI	Pressure Regulator Spring (Sonnax@ Click Here for Info) ...	88-94	1	RE4.SPR03
NI	Pressure Regulator Spring (Sonnax@ Click Here for Info) ...	95-ON	1	RE4.SPR04
NI	Anti Rattle Spring, Low Reverse Clutch.....	87-ON	1	RE4.SPR09
FILTERS				
450H	Filter 25mm Pick Up.....	87-92	1	RE4.FIL01
450H	Filter 5mm Pick Up.....	90-ON	1	RE4.FIL03
450H	Filter Mazda R4A-EL.....	92-ON	1	RE4.FIL04
FILTERS Cont...				
450H	Filter 6.35mm Pick Up (Aftermarket) (4 Cylinder)	87-ON	1	RE4.FIL05
450H	Filter 6.35mm Pick Up (OEM) (4 Cylinder)	87-ON	1	RE4.FIL15
450H	Filter (Nissan Skyline) RE4R01B (15 Bolt Holes)	92-ON	1	RE4.FIL06
BANDS				
500B	Band Non Turbo (Aftermarket) ..	88-ON	1	SUB4.BAN01
500B	Band Non Turbo (OEM)	88-ON	1	SUB4.BAN11
500B	Band, RE4R01B Skyline	All	1	RE4.BAN03
500B	Band, RE4R01A (59.75mm)	00-ON	1	RE4.BAN04
500B	Band, RE4R01A (OEM) (Directional).....	00-ON	1	RE4.BAN05
BUSHINGS				
Kit	Bush Kit RE4R01A.....	87-ON	1	RE4.BK01
NI	Pump Body Bush	87-ON	1	RE4.BUS01
553B	Reverse Input Drum	87-ON	1	RL4.BUS04
NI	Case Bush (One Piece Modified)	87-ON	1	RE4.BUS02
565G	Extension Housing (43mm OD x 40mm Long)	All	1	RE4.BUS04
THRUST WASHERS & BEARINGS				
Kit	Bearing and Race Kit.....	87-ON	1	RE4.TWK01
600A	Thrust Washer Pump - Rev Input (Sel 0.89mm Thick Plastic)	87-ON	AR	RL4.THW01
600A	Thrust Washer Pump - Rev Input (Sel 1.00mm Thick Plastic)	87-ON	AR	RL4.THW02
600A	Thrust Washer Pump - Rev Input (Sel 1.30mm Thick Plastic)	87-ON	AR	RL4.THW03

NISSAN RE4R01A, MAZDA R4A-EL 4 SPEED RWD (Electronic Control)



AUTOMATIC CHOICE



THE AUTOMATIC TRANSMISSION PARTS WAREHOUSE

ILL NO.	DESCRIPTION	YEARS	QTY	PART NO
THRUST WASHERS & BEARINGS Cont...				
600A	Thrust Washer Pump - Rev Input (Sel 1.70mm Thick Plastic)	87-ON	AR	RL4.THW04
600A	Thrust Washer Pump - Rev Input (Sel 1.93mm Thick Plastic)	87-ON	AR	RL4.THW05
601A	Race Pump to High Drum (Sel 0.80mm Thick 3 Tang)	87-ON	AR	RL4.THW14
601A	Race Pump to High Drum (Sel 1.20mm Thick 3 Tang)	87-ON	AR	RL4.THW08
601A	Race Pump to High Drum (Sel 1.40mm Thick 3 Tang)	87-ON	AR	RL4.THW09
601A	Race Pump to High Drum (Sel 1.60mm Thick 3 Tang)	87-ON	AR	RL4.THW10
601A	Race Pump to High Drum (Sel 1.78mm Thick 3 Tang)	87-ON	AR	RL4.THW11
601A	Race Pump to High Drum (Sel 2.00mm Thick 3 Tang)	87-ON	AR	RL4.THW12
603C	Race High Drum to Hub (3 Inner Tangs)	87-ON	1	RE4.THW03
604D	Race, Sun Gear Shell to Front Planet Bearing	87-ON	1	RE4.TOR04
605D	Race, Rear Planet to Annulus Bearing	87-ON	1	RE4.TOR04
606D	T.Wash Rear Ring Gear to Sprag (Plastic)	87-ON	1	RE4.THW04
607D	T.Wash Overrun Clutch Hub (Plastic)	87-ON	1	RE4.THW04
650A	Bearing, Stator to High Clutch ..	87-ON	1	RE4.TOR07
651C	Radial Bearing, High Drum to Drive Hub	87-ON	1	RE4.TOR08
653D	Race Rear of Sun Shell (Can Use RE4.TOR05)	87-ON	1	RL4 THW07
653D	Race Rear of Sun Shell (Can Use RL4.THW07)	87-ON	1	RE4 TOR05
654D	Bearing Front Planet to S.Gear	87-ON	1	RE4.BE04
656D	Race Rear of Rear Planet (Can Use RE4.TOR05)	87-ON	1	RL4.THW07
656D	Race Rear of Rear Planet (Can Use RL4.THW07)	87-ON	1	RE4.TOR05
658F	Inner Hub to Inner Race Bearing (Open Face One Side 59mm OD) .	88-ON	1	RE4.TOR06
659F	Shim Fwd Drum to Hub Update (Replaces Bearing With Race)..	88-ON	1	RE4.TOR02
ELECTRICAL COMPONENTS				
700H	Solenoid Set 12V System (4 Pieces EPC & Shift)	87-ON	1	RE4.SOL01
700H	Solenoid Set 24V System (4 Pieces EPC & Shift)	87-ON	1	RE4.SOL04
700H	Solenoid Set RE4R01B (Nissan Skyline)	92-ON	1	RE4.SOL05
701H	EPC Solenoid (12Volt)	87-ON	1	RL4.SOL02
702H	Lock Up Solenoid 12V System (Bottom of Valve Body)	87-ON	1	RE4.SOL03
702H	Lock Up Solenoid 24V System (Bottom of Valve Body)	87-ON	1	RE4.SOL07
702H	Lock Up Solenoid RE4R01B (Nissan Skyline))	92-ON	1	RE4.SOL06
703G	Output Speed Sensor	87-ON	1	RE4.ELE02
NI	Wiring Harness (Terrano)	7/98-ON	1	RE4.ELE01
VALVE BODY PARTS				
Kit	Shift Kit (RE4R01A)	87-ON	1	RE4.SK01
NI	Pressure Regulator Spring (Sonnax® Click Here for Info) ...	88-94	1	RE4.SPR03
NI	Pressure Regulator Spring (Sonnax® Click Here for Info) ...	95-ON	1	RE4.SPR04

ILL NO.	DESCRIPTION	YEARS	QTY	PART NO
HARD PARTS				
800A	Pump Complete (Front Stator Bushing 24mm ID, No Switch) (Without Sensor)	87-ON	1	RE4.PUM04
NI	Pump Kit (Slotted)	87-ON	1	RE4.PUM02
805B	Drum, Reverse Input (40mm Wide Band)	87-ON	1	RE4.DRU02
809C	Hub, High Clutch	87-ON	1	RE4.HUB03
813D	Shell & Front Sun Gear (33T, 48.51mm OD, 1 Groove 8 Lugs to Reverse Drum)	87-ON	1	RE4.SUN02
813D	Shell & Front Sun Gear (OEM) (33T, 48.51mm OD, 1 Groove 8 Lugs to Reverse Drum)	87-ON	1	RE4.SUN12
814D	Front Planetary Assy (33T Fnt Sun Gear 2 Groove) ...	87-ON	1	RE4.PL04
814D	Front Planetary Assy (OEM) (21 Tooth Pinions)	87-ON	1	RE4.PL14
815D	Rear Sun Gear (42T, No Groove) (4 Oil Notches on Rear)	87-ON	1	RE4.SUN01
815D	Rear Sun Gear (OEM) (42T, No Groove) (4 Oil Notches on Rear)	87-ON	1	RE4.SUN11
816D	Rear Planetary (42T Sun Gear, 1 Groove)	87-ON	1	RE4.PL05
816D	Rear Planetary (OEM) (42T Sun Gear, 1 Groove)	87-ON	1	RE4.PL15
816D	Rear Planetary (42T Sun Gear, No Groove)	87-ON	1	RE4.PL07
817D	Ring Gear, Rear Planet (37T Rear Sun Gear With 2 Grooves)	87-ON	1	RE4.HUB04
817D	Ring Gear, Rear Planet (42T Rear Sun Gear With 1 Groove)	87-ON	1	RE4.HUB05
817D	Ring Gear, Rear Planet (OEM) (42T Rear Sun Gear With 1 Groove)	87-ON	1	RE4.HUB15
818D	Planetary Package (42T Sun Gear No Brgs)	87-ON	1	RE4.PL02
818D	Planetary Package (37T Sun Gear No Brgs)	87-ON	1	RE4.PL03
818D	Planetary Package (Heavy Duty) (Front Planetary has 4 Pinions with 20 Teeth Rear Planetary has 5 Pinions with 17 Teeth)	87-ON	1	RE4.PL06
819D	Front Sprag (28 Element)	87-ON	1	RE4.OWC03
826E	Sprag, Low Sprag (34 Elements 10.31mm Wide) ..	87-ON	1	RE4.OWC02
828F	Rear Support / O.W.C. Inner Race (With 1 Lube Hole In Sprag Area)	87-ON	1	RE4.OWC04
834H	Piston, 3-4/N-R Accumulator	87-ON	1	RE4.PIS02
SPECIAL ITEMS				
NI	Pump Seal Retaining Clip	87-ON	1	RE4.RET01
NI	Servo Pin W/O 'O' Ring	87-ON	1	RE4.VA01
NI	Washer, Cooler Pipe (Aluminium)	87-ON	1	RE4.WA01
TOOLS & MANUALS				
NI	ATSG Rebuild Manual	All		RE4.MAN01