

# RE0F05A ECVT SUBARU, NISSAN & FIAT

## VARIABLE RATIO FWD & 4WD TRANSMISSION (Electronic Control)

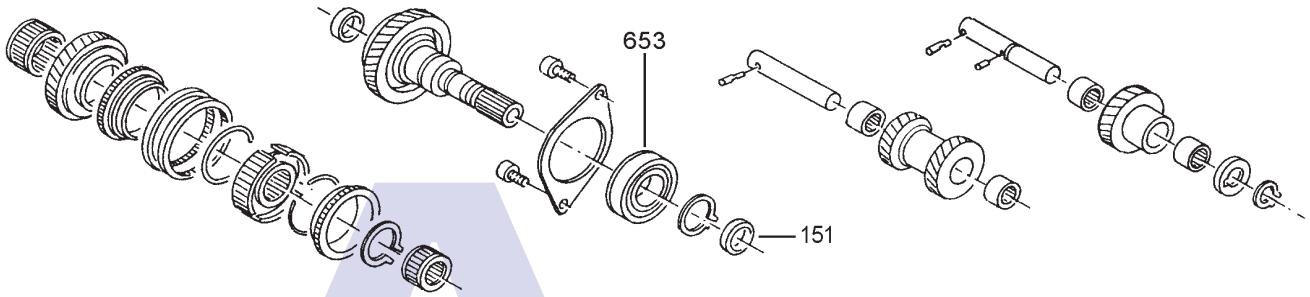


AUTOMATIC CHOICE

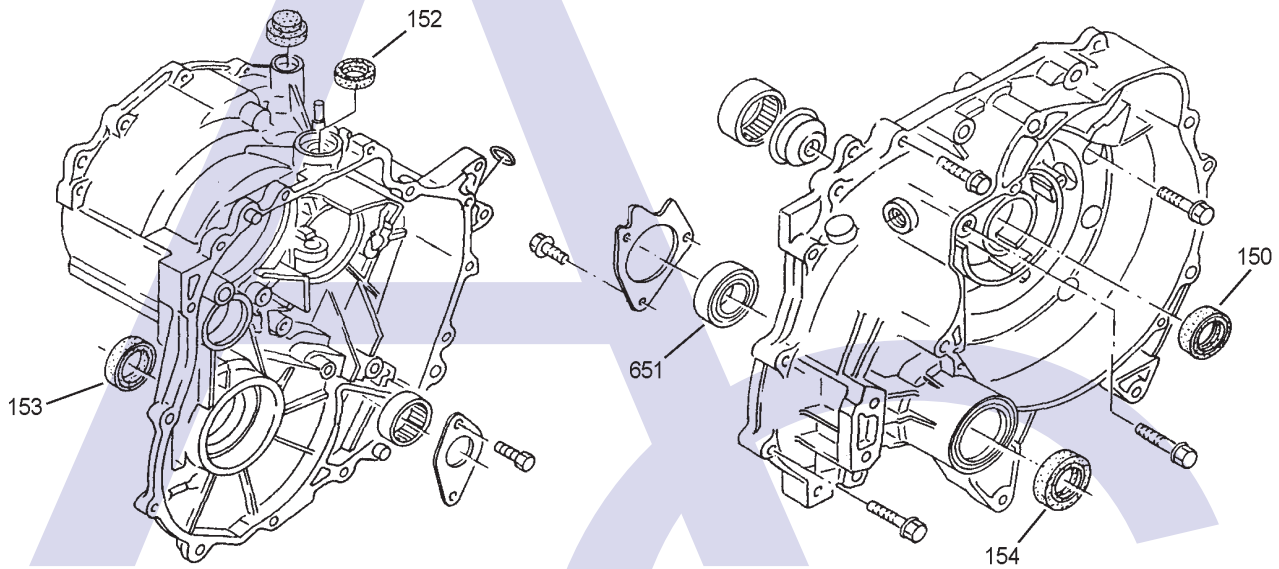


THE AUTOMATIC TRANSMISSION PARTS WAREHOUSE

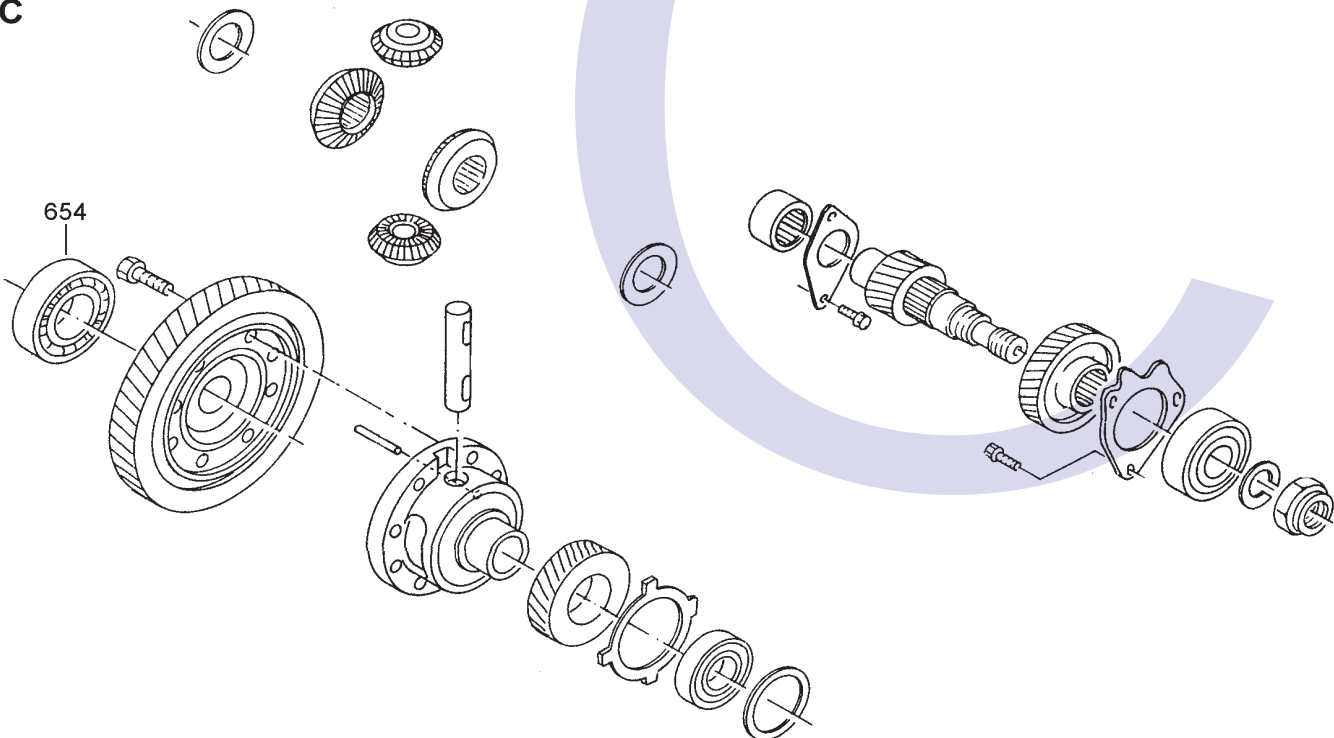
A



B



C



# RE0F05A ECVT SUBARU, NISSAN & FIAT VARIABLE RATIO FWD & 4WD TRANSMISSION (Electronic Control)

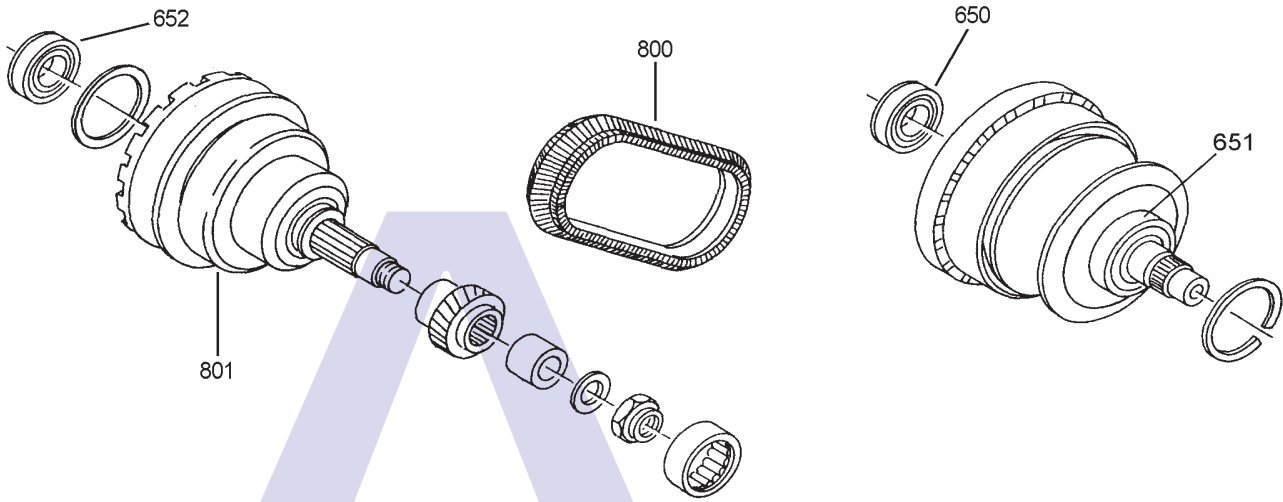


AUTOMATIC CHOICE

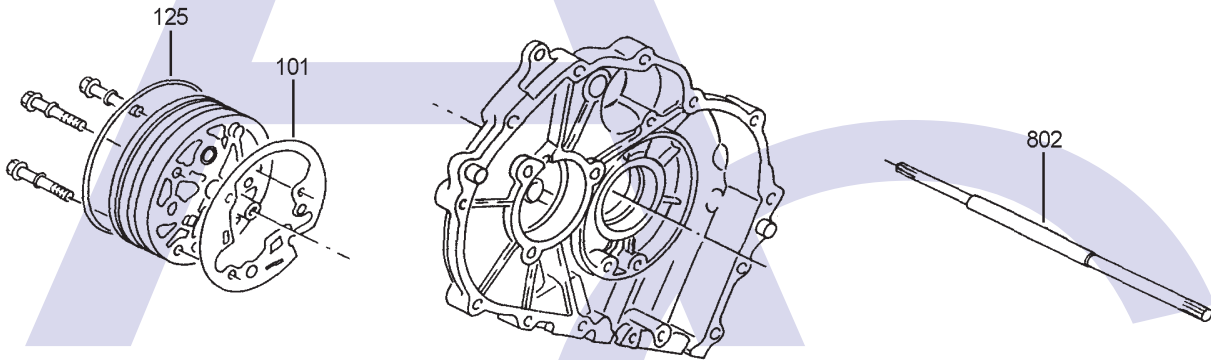


THE AUTOMATIC TRANSMISSION PARTS WAREHOUSE

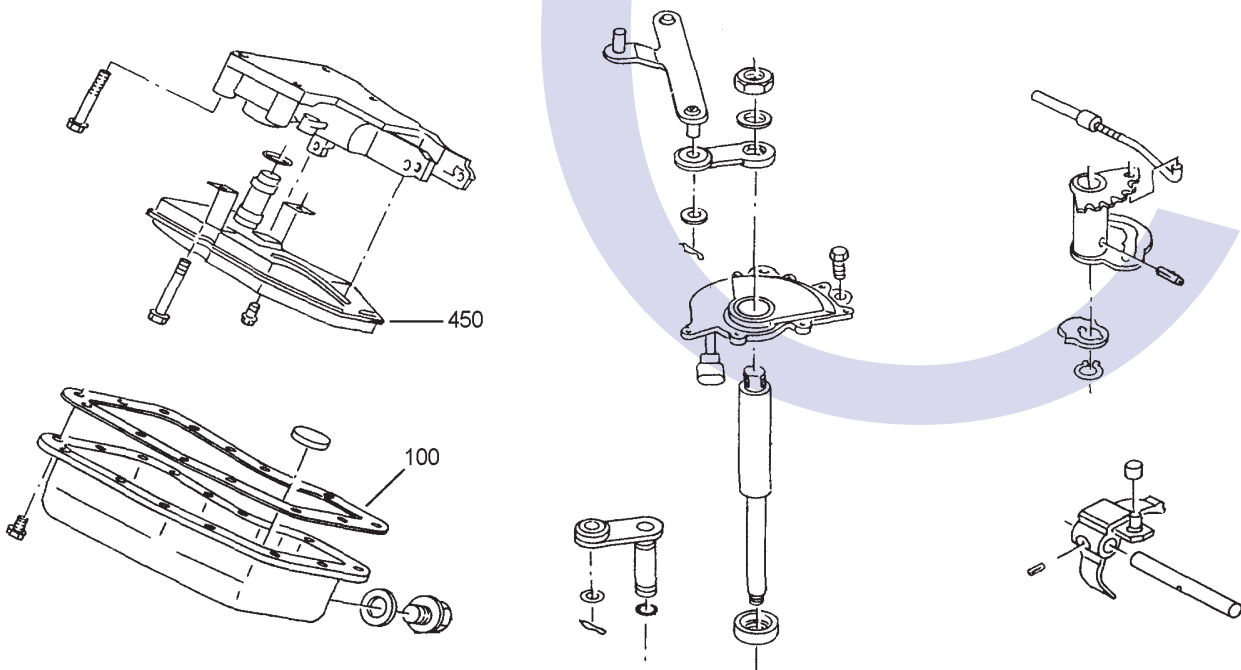
D



E



F



# RE0F05A ECVT SUBARU, NISSAN & FIAT

## VARIABLE RATIO FWD & 4WD TRANSMISSION (Electronic Control)



AUTOMATIC CHOICE



THE AUTOMATIC TRANSMISSION PARTS WAREHOUSE

ILL NO.	DESCRIPTION	YEARS	QTY	PART NO
<b>KITS</b>				
Kit	Overhaul Kit (Bryco).....	89-ON	1	ECVT.OHK01
Kit	Overhaul Kit (Transtec).....	89-ON	1	ECVT.OHK02
Kit	Overhaul Kit (Precision) (Subaru 2WD & 4WD).....	87-94	1	ECVT.OHK51
Kit	Overhaul Kit (Precision) (Nissan, Fiat).....	89-97	1	NCVT.OHK51
<b>GASKETS</b>				
100F	Pan Gasket (Subaru).....	89-ON	1	ECVT.GAS01
100F	..... Pan Gasket (Nissan, Punto)			
89-ON	1.....			ECVT.GAS05
100F	Pan Gasket (Panda).....	89-ON	1	ECVT.GAS07
101E	Pump Gasket (Subaru, Fiat).....	89-ON	1	ECVT.GAS02
101E	Pump Gasket (Nissan).....	89-ON	1	ECVT.GAS06
<b>RUBBER COMPONENTS</b>				
NI	'D' Ring Secondary Piston.....	89-ON	1	ECVT.OR01
NI	'D' Ring Primary Piston (Nissan/Fiat).....	89-ON	1	ECVT.OR02
125E	'O' Ring Pump to Case.....	89-ON	1	ECVT.OR03
<b>METAL CLAD SEALS</b>				
150B	Input Shaft Seal.....	89-ON	1	ECVT.MCS01
151A	..... Input Shaft Inner Seal			
89-ON	1.....			ECVT.MCS02
NI	Extension Seal (Subaru).....	89-ON	2	ECVT.MCS03
152B	Manual Lever Seal.....	89-ON	1	ECVT.MCS04
153B	Drive Shaft Seal (LH) (Fiat/Subaru).....	89-ON	1	ECVT.MCS05
153B	Drive Shaft Seal (LH) (Micra).....	89-ON	1	RL3.MCS02
154B	Drive Shaft Seal (RH) (Fiat/Subaru).....	89-ON	1	ECVT.MCS06
154B	Drive Shaft Seal (RH) (Micra).....	89-ON	1	RL3.MCS02
<b>FILTERS</b>				
NI	Filter Kit (Micra).....	89-ON	1	ECVT.FILKIT01
450F	Filter (Justy, Micra, Punto).....	89-ON	1	ECVT.FIL01
450F	..... Filter (Panda)	89-ON		
1	.....			ECVT.FIL03
450F	Filter (Subaru 1000cc).....	89-ON	1	ECVT.FIL04
<b>BEARINGS</b>				
650D	Bearing Rear Primary.....	89-ON	1	ECVT.BE01
651B	..... Bearing Front Primary			
89-ON	1.....			ECVT.BE02
652D	Bearing Secondary.....	89-ON	1	ECVT.BE03
653A	Bearing Input Shaft.....	89-ON	1	ECVT.BE01
654C	Bearing, Driven Transfer Gear to Case.....	89-ON	1	ECVT.BE05

ILL NO.	DESCRIPTION	YEARS	QTY	PART NO
<b>ELECTRICAL COMPONENTS</b>				
NI	Brush Set (Micra).....	89-ON	1	ECVT.BRU01
NI	Brush Set (Micra Rebuilt).....	89-ON	1	ECVT.BRU31
NI	Brush Set (Subaru) (Round Connector).....	89-ON	1	ECVT.BRU02
NI	Brush Set (Subaru) (Oval Connector).....	89-ON	1	ECVT.BRU03
NI	Brush Set (Punto).....	-11/95	1	ECVT.BRU04
NI	Brush Set (Punto).....	11/95-	1	ECVT.BRU05
NI	Brush Set (Panda).....	All	1	ECVT.BRU06
NI	Micro Switch (Punto) (Throttle Pedal).....	89-ON	1	ECVT.ELE01
NI	Two Part Throttle Switch (Panda).....	89-ON	1	ECVT.ELE02
NI	Micro Switch (Justy 1200cc) (Throttle Pedal).....	89-ON	1	ECVT.ELE05
NI	Powder Clutch Refill Sachet.....	89-ON	1	ECVT.ELE03
NI	Range Selector Switch (Punto).....	89-ON	1	ECVT.ELE04
NI	Pressure Solenoid (Micra).....	89-ON	1	ECVT.SOL01
NI	Powder Clutch Relay (Fiat Punto).....	89-ON	1	ECVT.REL01
<b>HARD PARTS</b>				
800D	Drive Belt (New).....	89-ON	1	ECVT.CH01
800D	..... Drive Belt (Used)			
89-ON	1.....			ECVT.CH31
801D	Secondary Drum (Open Style).....	89-ON	1	ECVT.DRU02
801D	..... Secondary Drum (Fiat Panda).....	89-ON	1	ECVT.DRU03
802E	Pump Drive Shaft (Micra/Punto).....	89-ON	1	ECVT.SH01
NI	Pitot Tube.....	89-ON	1	ECVT.TU01
<b>SPECIAL ITEMS</b>				
NI	Powder Clutch End Plug (Prevents Pump Drive Shaft from moving forward if clip breaks) .....	89-ON	1	ECVT.CAP01
NI	Retaining Clip (Pump Shaft).....	89-ON	1	ECVT.CLIP01
<b>POWDER CLUTCHES</b>				
NI	Powder Clutch Assy (KA003) (Panda/Justy 1.0 Ltr LHD).....	89-ON	1	ECVT.PC01
NI	Powder Clutch Assy (KA232) (Punto 137mm).....	89-ON	1	ECVT.PC02
NI	Powder Clutch Assy (KA133) (Justy 1200cc 4 Bolt).....	89-ON	1	ECVT.PC03
NI	Powder Clutch Assy (KA050/1) (Panda 1.1 Ltr).....	89-ON	1	ECVT.PC04
NI	Powder Clutch Assy (KA350) (Micra).....	89-ON	1	ECVT.PC05
NI	Powder Clutch Assy (KA144) (Justy/Panda 3 Bolt).....	89-ON	1	ECVT.PC06
NI	Powder Clutch Assy (KA332) (Subaru Domino).....	89-ON	1	ECVT.PC07
<b>MANUALS &amp; SPECIAL TOOLS</b>				
<a href="#">Click here to view special tools for this transmission</a>				