

# SUBARU R4AX-EL 1998 ON

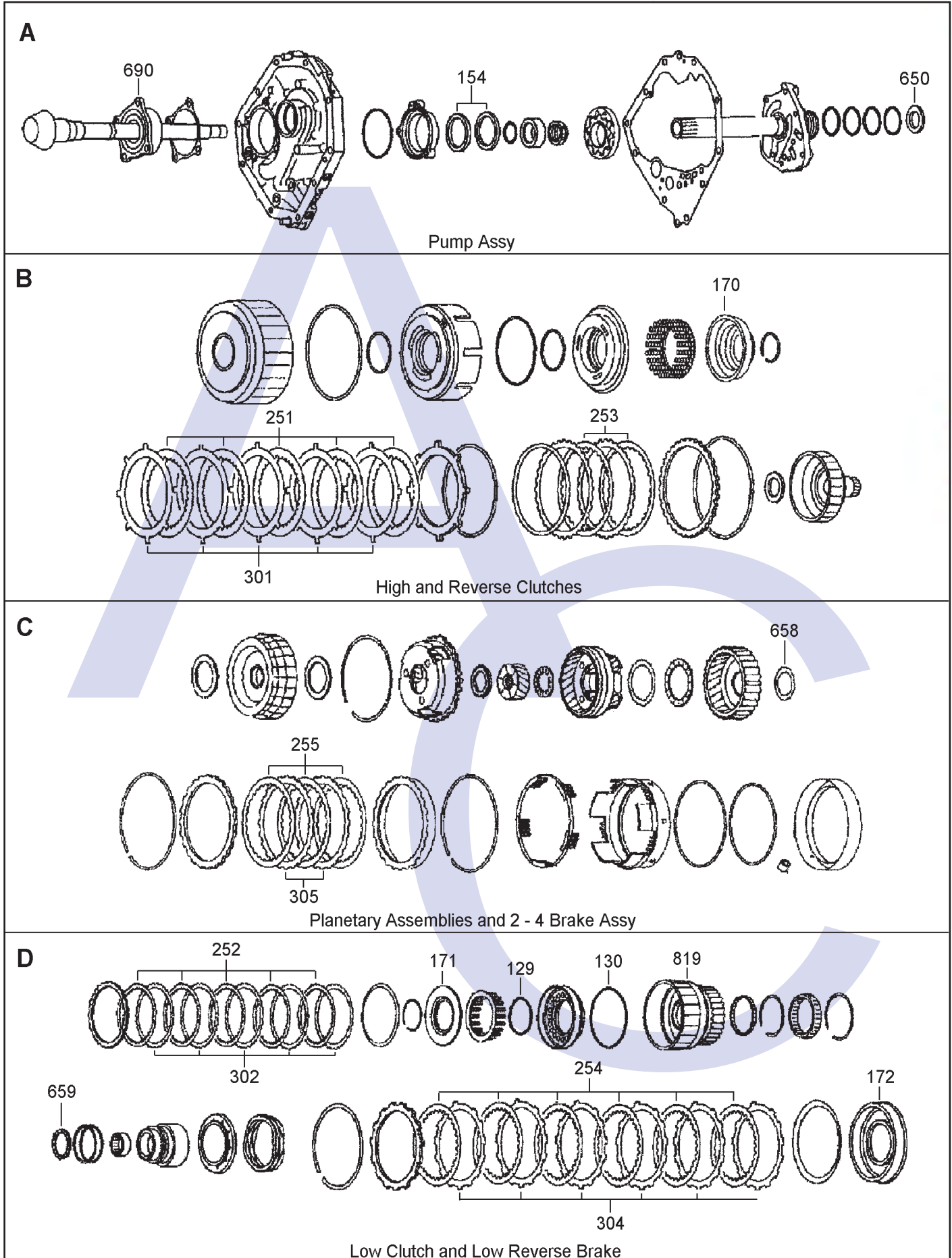
## 4 SPEED 2WD & 4WD (Full Electronic Control)



AUTOMATIC CHOICE



THE AUTOMATIC TRANSMISSION PARTS WAREHOUSE



# SUBARU R4AX-EL 1998 ON

## 4 SPEED 2WD & 4WD (Full Electronic Control)

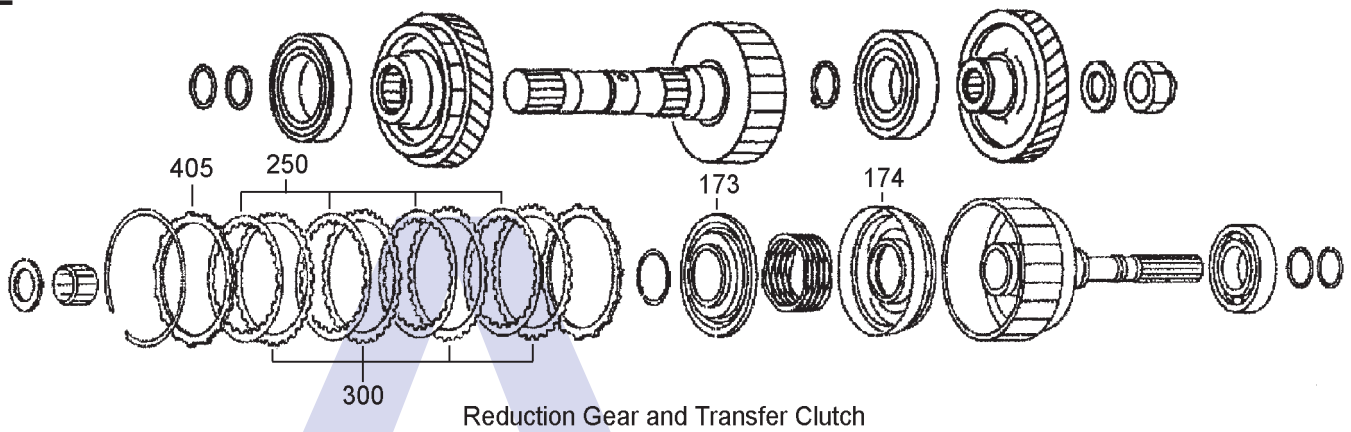


AUTOMATIC CHOICE

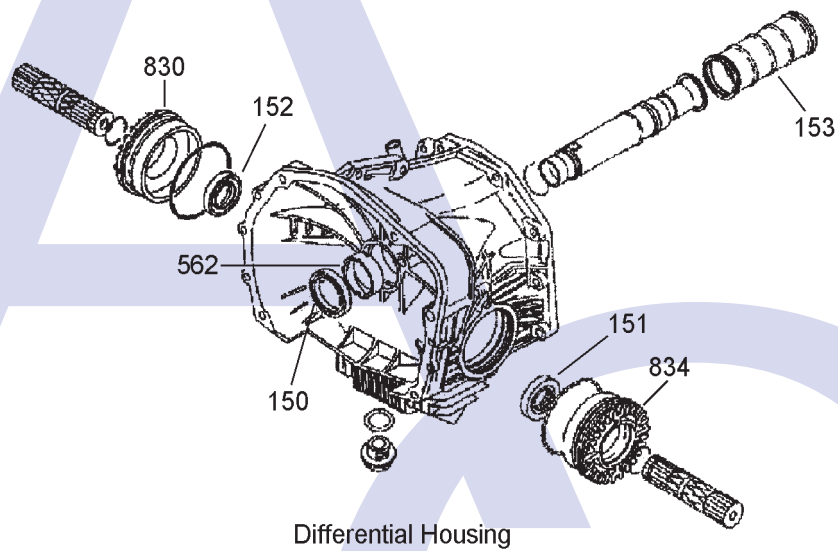


THE AUTOMATIC TRANSMISSION PARTS WAREHOUSE

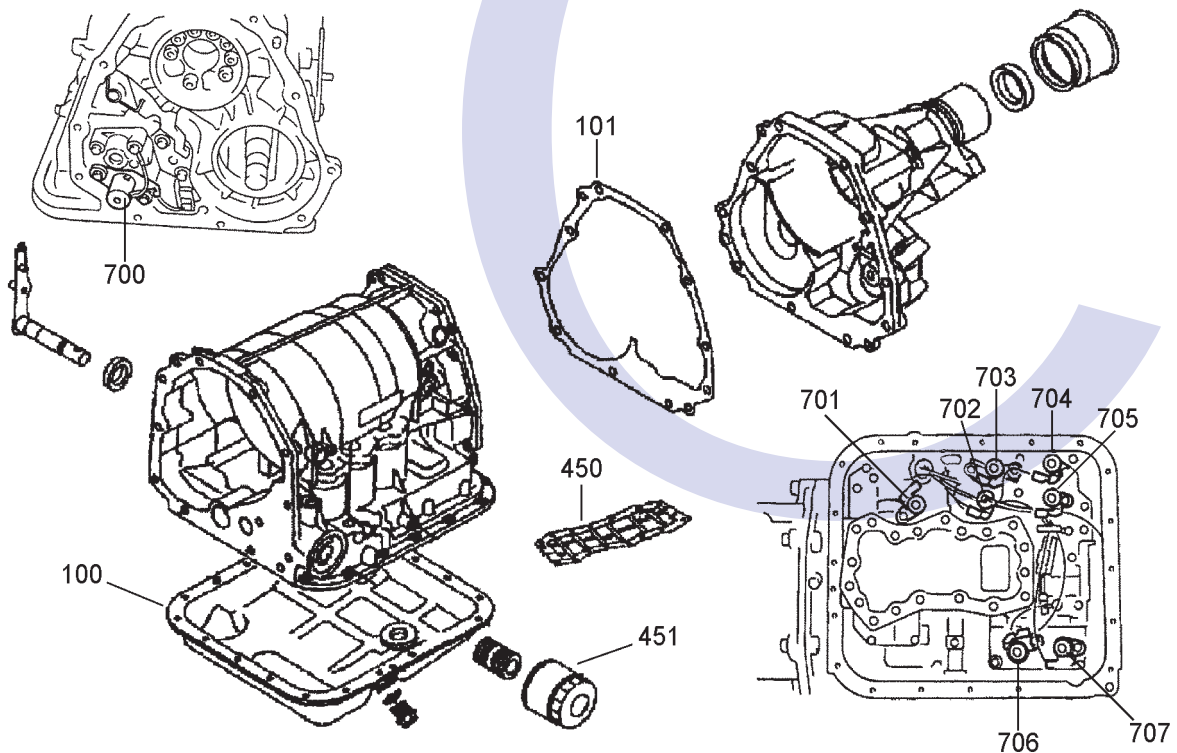
E



F



G



# SUBARU R4AX-EL 1998 ON

## 4 SPEED 2WD & 4WD (Full Electronic Control)



AUTOMATIC CHOICE



THE AUTOMATIC TRANSMISSION PARTS WAREHOUSE

ILL NO.	DESCRIPTION	YEARS	QTY	PART NO
<b>KITS</b>				
Kit	Master Overhaul Kit (Alto).....	98-ON	1	<b>SUB4.MOK51</b>
Kit	Overhaul Kit (Transtec).....	98-ON	1	<b>SUB4.OHK02</b>
Kit	Overhaul Kit (OEM).....	98-ON	1	<b>SUB4.OHK03</b>
<b>GASKETS</b>				
100G	Pan Gasket (Duraprene).....	98-ON	1	<b>SUB4.GAS11</b>
101G	Rear Case Gasket .....	98-ON	1	<b>SUB4.GAS08</b>
<b>RUBBER COMPONENTS</b>				
129D	Low Clutch Piston Seal (Inner) .....	98-ON	1	<b>SUB4.OR11</b>
130D	Low Clutch Piston Seal (Outer).....	98-ON	1	<b>SUB4.OR10</b>
<b>METAL CLAD SEALS</b>				
150F	Converter Seal .....	98-ON	1	<b>SUB4.MCS01</b>
151F	Axle Seal Left.....	98-ON	1	<b>SUB4.MCS02</b>
152F	Axle Seal Right .....	98-ON	1	<b>SUB4.MCS03</b>
153F	Differential to Transmission Sealing Pipe.....	98-ON	1	<b>SUB4.MCS05</b>
154A	Pinion Shaft.....	98-ON	2	<b>SUB4.MCS08</b>
NI	Speedo Shaft .....	98-ON	1	<b>SUB4.MCS07</b>
<b>MOULDED PISTONS</b>				
170B	High Clutch Damper Piston.....	99-02	1	<b>SUB4.PIS07</b>
170B	High Clutch Damper Piston.....	02-03	1	<b>SUB4.PIS08</b>
170B	High Clutch Damper Piston.....	03-ON	1	<b>SUB4.PIS09</b>
171D	Low Clutch Balance Piston .....	99-02	1	<b>SUB4.PIS01</b>
171D	Low Clutch Balance Piston .....	02-ON	1	<b>SUB4.PIS06</b>
172D	Low Reverse Brake (2.0Ltr 5 Plate) .....	99-ON	1	<b>SUB4.PIS02</b>
172D	Low Reverse Brake (2.5Ltr 6 Plate) .....	99-ON	1	<b>SUB4.PIS03</b>
172D	Low Reverse Brake (3.0Ltr & 2.0 Ltr Turbo 7 Plate) .	99-ON	1	<b>SUB4.PIS10</b>
173E	Transfer Clutch Balance Piston	99-ON	1	<b>SUB4.PIS05</b>
174E	Transfer Clutch Piston .....	99-ON	1	<b>SUB4.PIS04</b>
<b>FRICTION PLATES</b>				
Kit	Friction Plate .....	98-ON	1	<b>SUB4.FRK03</b>
Kit	Friction Plate (Alto) .....	6/98-ON	1	<b>SUB4.FRK51</b>
250E	Transfer Clutch Kit (VIN Number Required) .....	98-ON	1	<b>SUB4.FKIT03</b>
251B	High Clutch (138mm O.D. x 1.60mm x 36T)	98-ON	4-5	<b>SUB4.FRP14</b>
251B	High Clutch (Alto) (138mm O.D. x 1.60mm x 36T)	98-ON	4-5	<b>SUB4.FRP64</b>
253B	Reverse Clutch (150mm O.D. x 1.60mm x 30T)	98-ON	2	<b>SUB4.FRP15</b>
253B	Reverse Clutch (Alto) (150mm O.D. x 1.60mm x 30T)	98-ON	2	<b>SUB4.FRP65</b>
253B	Reverse Clutch (150mm O.D. x 2.00mm x 38T)	98 Only	2	<b>SUB4.FRP18</b>
255C	2-4 Brake (167mm O.D. x 1.60mm x 30T)	98-ON	3	<b>SUB4.FRP16</b>
255C	2-4 Brake (Alto) (167mm O.D. x 1.60mm x 30T)	98-ON	3	<b>SUB4.FRP66</b>

ILL NO.	DESCRIPTION	YEARS	QTY	PART NO
<b>FRICTION PLATES Cont...</b>				
252D	Low Clutch (Forward) (138mm O.D. x 1.75mm x 30T)	98-ON	6	<b>SUB4.FRP17</b>
252D	Low Clutch (Forward) (Alto) (138mm O.D. x 1.75mm x 30T)	98-ON	6	<b>SUB4.FRP67</b>
254D	Low & Reverse Brake (Aftermarket) (148mm O.D. x 1.60mm x 30T)	98-ON	6	<b>SUB4.FRP07</b>
<b>STEEL PLATES</b>				
Kit	Steel Plate Kit .....	98-ON	1	<b>SUB4.STK03</b>
Kit	Steel Plate Kit (Alto).....	98-ON	1	<b>SUB4.STK51</b>
300E	Transfer Clutch (104.6mm ID x 1.60mm x 30T) .	98-ON	6	<b>SUB4.STP10</b>
301B	High Clutch (112mm ID x 2.00mm x 8T) .....	98-ON	4	<b>SUB4.STP18</b>
302D	Low Clutch (123mm ID x 1.40mm x 30T) ....	98-ON	6	<b>SUB4.STP17</b>
303B	Reverse Clutch (1.60mm x 32T).....	98-ON	2	<b>SUB4.STP16</b>
304D	Low & Reverse Brake (129mm ID x 1.60mm x 14T) ....	98-ON	AR	<b>SUB4.STP08</b>
304D	Low & Reverse Brake (129mm ID x 1.80mm x 14T) ....	98-ON	AR	<b>SUB4.STP07</b>
304D	Low & Reverse Brake (129mm ID x 2.00mm x 14T) ....	98-ON	AR	<b>SUB4.STP03</b>
305C	2-4 Brake (145mm ID x 2.40mm x 23T) ....	98-ON	3	<b>SUB4.STP19</b>
<b>PRESSURE PLATES</b>				
405E	Transfer Clutch (3.70mm Thick x 30T .....	98-ON	AR	<b>SUB4.PP01</b>
<b>SEALING RINGS</b>				
<b>BUSHES</b>				
Kit	Bushing Kit.....	98-ON	1	<b>SUB4.BK03</b>
562F	Bell Housing to Converter Hub .	98-ON	1	<b>SUB4.BUS01</b>
<b>THRUST WASHERS &amp; BEARINGS</b>				
650A	Radial Bearing, Pump Stator (4.50mm Thick) .....	98-ON	AR	<b>SUB4.TOR01</b>
	(4.70mm Thick) .....	98-ON	AR	<b>SUB4.TOR02</b>
	(4.90mm Thick) .....	98-ON	AR	<b>SUB4.TOR03</b>
	(5.10mm Thick) .....	98-ON	AR	<b>SUB4.TOR04</b>
658C	Race, Rear Ring Gear (3 Tabs) (40.40mm ID x 56mm OD).....	98-ON	1	<b>SUB4.THW05</b>
659D	Radial Needle Bearing, Rear Support to Hub (39.70mm ID x 54mm OD).....	98-ON	1	<b>SUB4.THW04</b>
690A	Bearing, Pinion Shaft Support...	98-ON	1	<b>SUB4.BE01</b>

# SUBARU R4AX-EL 1998 ON

## 4 SPEED 2WD & 4WD (Full Electronic Control)



AUTOMATIC CHOICE



THE AUTOMATIC TRANSMISSION PARTS WAREHOUSE

ILL NO.	DESCRIPTION	YEARS	QTY	PART NO
<b>FILTERS</b>				
450G	Filter, Pick Up Forester/Legacy.	98-ON	1	<b>SUB4.FIL04</b>
450G	Filter, Pick Up Forester (3 Bolt).	05-ON	1	<b>SUB4.FIL07</b>
451G	Spin on Filter.....	98-ON	1	<b>SUB4.FIL05</b>
<b>ELECTRICAL COMPONENTS</b>				
700G	Duty Solenoid 'C' (Transfer).....	98-ON	1	<b>SUB4.SOL17</b>
701G	Duty Solenoid 'B' (Lock Up) (Blue Connector).....	98-ON	1	<b>SUB4.SOL16</b>
702G	Low Clutch Timing Solenoid (Grey Connector).....	98-ON	1	<b>SUB4.SOL14</b>
703G	Duty Solenoid 'A' (Line Pressure) (Red Connector).....	98-ON	1	<b>SUB4.SOL06</b>
704G	Shift Solenoid '2' (Brown Connector).....	98-ON	1	<b>SUB4.SOL13</b>
705G	Shift Solenoid '1' (Green Connector).....	98-ON	1	<b>SUB4.SOL12</b>
706G	Duty Solenoid 'D' (2-4 Brake) (Red Connector).....	98-ON	1	<b>SUB4.SOL06</b>
707G	2-4 Brake Timing Solenoid (Black Connector).....	98-ON	1	<b>SUB4.SOL15</b>
NI	Range Switch.....	98-ON	1	<b>SUB4.ELE10</b>
<b>HARD PARTS</b>				
819D	Low Clutch Drum .....	98-ON	1	<b>SUB4.DRU05</b>
830F	Diff Bearing Retainer R/Hand ...	98-ON	1	<b>SUB4.DIFF01</b>
834F	Diff Bearing Retainer L/Hand....	98-ON	1	<b>SUB4.DIFF01</b>
<b>TECHNICAL MANUALS</b>				

ILL NO.	DESCRIPTION	YEARS	QTY	PART NO
---------	-------------	-------	-----	---------