

Allison 3000 Series, MD3060, MD3656

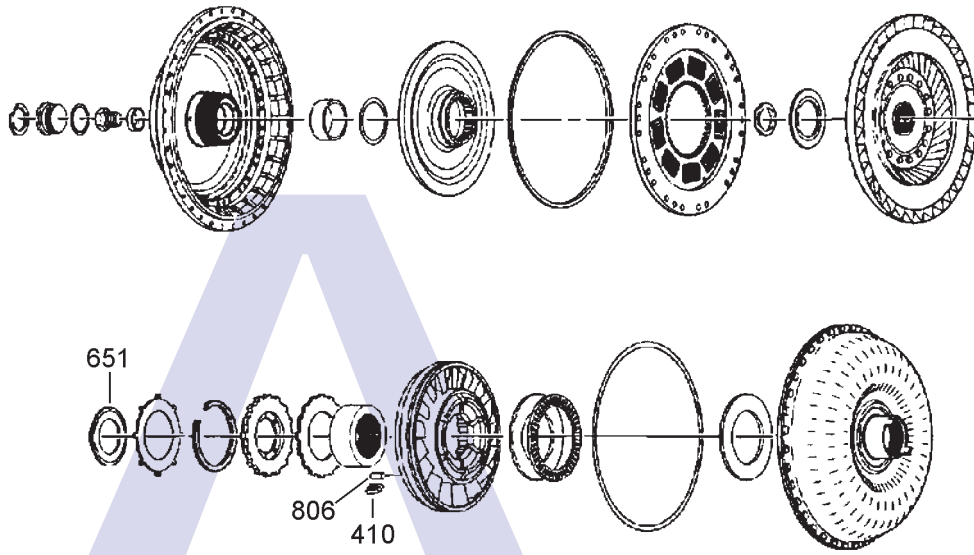


AUTOMATIC CHOICE



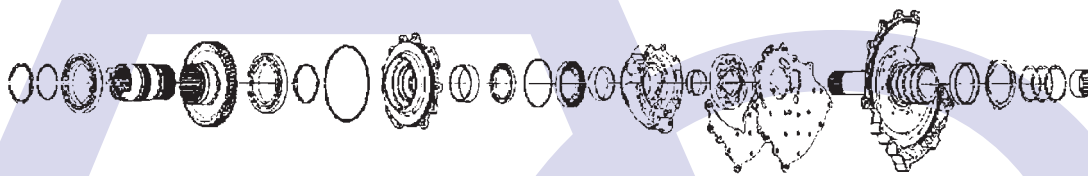
THE AUTOMATIC TRANSMISSION PARTS WAREHOUSE

A



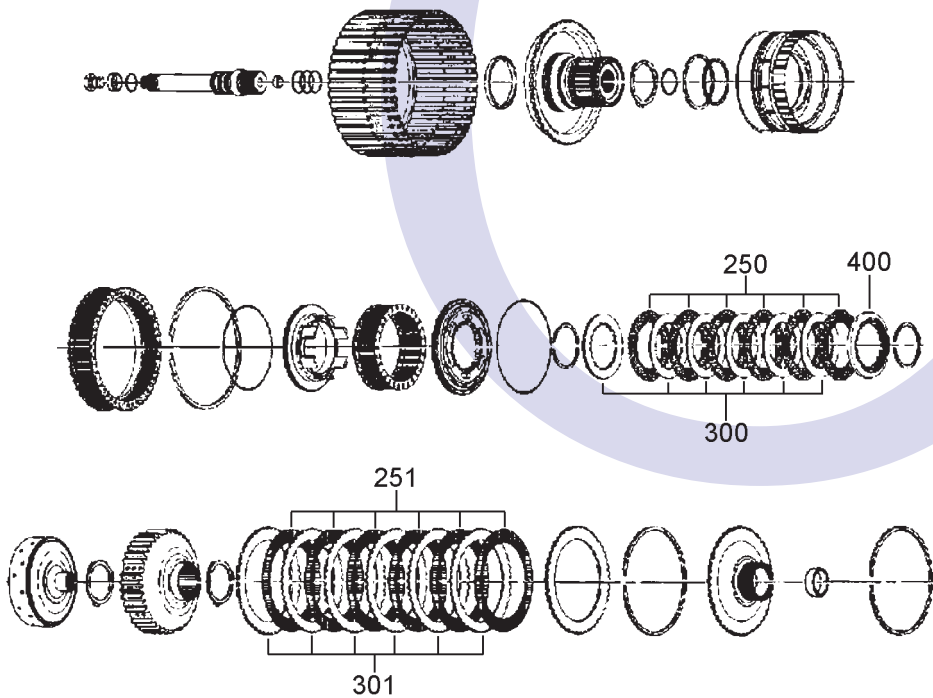
Torque Converter

B



Pump Assembly

C



'C1' and 'C2' Clutch

Allison 3000 Series, MD3060, MD3656

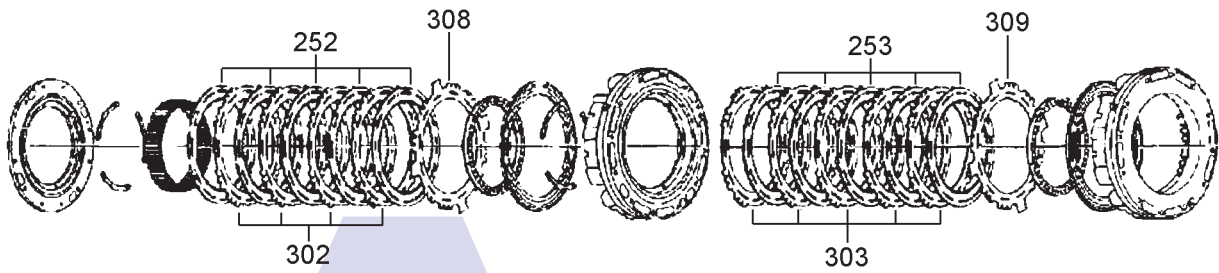


AUTOMATIC CHOICE



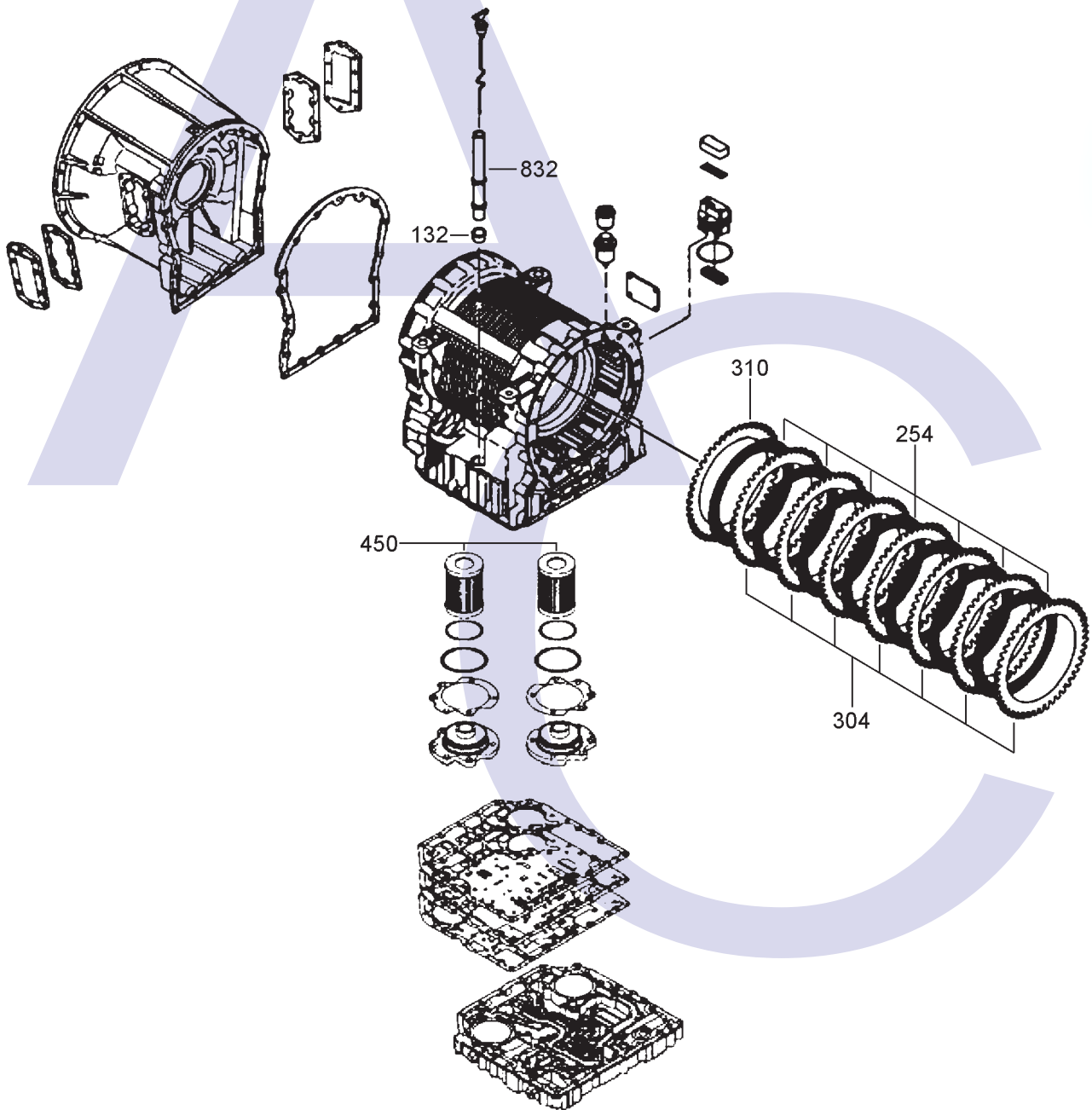
THE AUTOMATIC TRANSMISSION PARTS WAREHOUSE

D



'C3' and 'C4' Clutch

E



Main Case, Valve Body and 'C5' Clutch

Allison 3000 Series, MD3060, MD3656



AUTOMATIC CHOICE



THE AUTOMATIC TRANSMISSION PARTS WAREHOUSE

ILL NO.	DESCRIPTION	YEARS	QTY	PART NO
KITS				
Kit	Master Overhaul Kit (Alto) (MD3060)		1	MD3060.MOHK01
Kit	Overhaul Kit Combo (Transtec) (MD3060, MD3656)		1	MD3060.OHK02
Kit	Overhaul Kit (Alto) (With Valve Body Gasket Kit)....		1	MD3060.OHK01
Kit	Overhaul Kit (CRT3000) (TRT2421-3)		1	AT3000.OHK01
Kit	Overhaul Kit (MD3000) (TRT3531-03)		1	AT3000.OHK02
Kit	Gasket & Seal (MD3060)		1	MD3060.GSK01
Kit	Valve Body Gasket (MD3060)...		1	MD3060.GSK02
GASKETS				
NI	Converter Gasket.....		1	AT3000.GAS01
NI	Oil Cooler to Case.....		1	MD3060.GAS06
NI	Cooler Cover Gasket		1	MD3060.GAS07
NI	Water Pipe Cover Gasket		2	MD3060.GAS08
RUBBER COMPONENTS				
132E	'O' Ring, Filler Tube.....		1	MD3060.OR01
NI	'O' Ring, Oil Cooler (Thin)		2	MD3060.OR03
NI	'O' Ring, Oil Cooler (Large).....		2	MD3060.OR02
METAL CLAD SEALS				
MOULDED PISTONS				
SEALING RINGS				
NI	Sealing Ring for Converter.....		1	AT3000.SSR01
FRICTION PLATES				
250C	'C1' Clutch (External Teeth) (115.7mm ID x 2.5mm x 44T) ...		6	MD3060.FRP03
251C	'C2' Clutch (252.7mm OD x 2.5mm x 82T) .		6	MD3060.FRP04
252D	'C3' Clutch (242.5mm ODx 2.5mm X 76T)..		5	MD3060.FRP01
253D	'C4' Clutch (242.5mm ODx 2.5mm X 76T)..		5	MD3060.FRP01
254E	'C5' Clutch (254mm OD x 3.2mm x 81T)		7	MD3060.FRP02
STEEL PLATES				
300C	'C1' Clutch (Internal Teeth) (165.2mm OD x 2.5mm x 44T) .		5	MD3060.STP05
301C	'C2' Clutch (216.8mm ID x 2.5mm x 48T) ...		6	MD3060.STP07
302D	'C3' Clutch (195.5mm ID x 2.5mm x 24T) ...		5	MD3060.STP01

ILL NO.	DESCRIPTION	YEARS	QTY	PART NO
STEEL PLATES Cont...				
303D	'C4' Clutch (195.5mm ID x 2.5mm x 24T) ...		5	MD3060.STP01
304E	'C5' Clutch (207.3mm ID x 2.5mm x 48T) ...		8	MD3060.STP03
308D	'C3' Piston Apply Plate (3.50mm)		1	MD3060.STP02
309D	'C4' Piston Apply Plate (3.50mm)		1	MD3060.P02
310E	'C5' Apply Plate (107.7mm ID x 2.5mm x 44T) ...		1	MD3060.STP04
PRESSURE PLATES				
400C	'C1' Cutch Backing Plate (MD Series)		1	MD3060.STP06
SPRINGS & CIRCLIPS				
410A	Spring, Converter One Way Clutch		13	AT3000.OWC02
FILTERS				
450E	Filter (MD3060) (2" Sump).....		2	MD3060.FIL01
450E	Filter Kit (MD3060) (2 x 6" Cartridges, with Gaskets & 'O' Rings).....		1	MD3060.FIL03
450E	Filter Kit (MD3060) (2 x 4" Cartridges, with Gaskets & 'O' Rings).....		1	MD3060.FIL04
NI	Filter Suction (MD3060)		1	MD3060.FIL02
BUSHINGS				
THRUST WASHERS & BEARINGS				
651A	Radial Needle Bearing, Converter OWC		1	AT3000.THW01
ELECTRICAL COMPONENTS				
NI	Speed Sensor, Output (MD3060) (On Extension Housing).....		1	MD3060.ELE01
NI	Speed Sensor, Input (MD3060) (On Valve Body).....		1	MD3060.ELE02
NI	Wiring Harness (MD3060) (with Oil Level Sensor).....		1	MD3060.ELE03
VALVE BODY PARTS				

Allison 3000 Series, MD3060, MD3656



AUTOMATIC CHOICE



THE AUTOMATIC TRANSMISSION PARTS WAREHOUSE

ILL NO.	DESCRIPTION	YEARS	QTY	PART NO
HARD PARTS				
NI	Cover/Diaphragm With Seal (Converter).....		1	AT3000.COV01
806A	Rollers, Converter One Way Clutch		13	AT3000.OWC01
832E	Filler Tube		1	MD3060.TU01
Ni	Washer, Stator OWC Front		1	AT3000.OWC03
SPECIAL ITEMS				
TOOLS & MANUALS				

ILL NO.	DESCRIPTION	YEARS	QTY	PART NO
---------	-------------	-------	-----	---------