

# JR405E (Isuzu D-Max Truck 2002-11 Etc & Nissan)

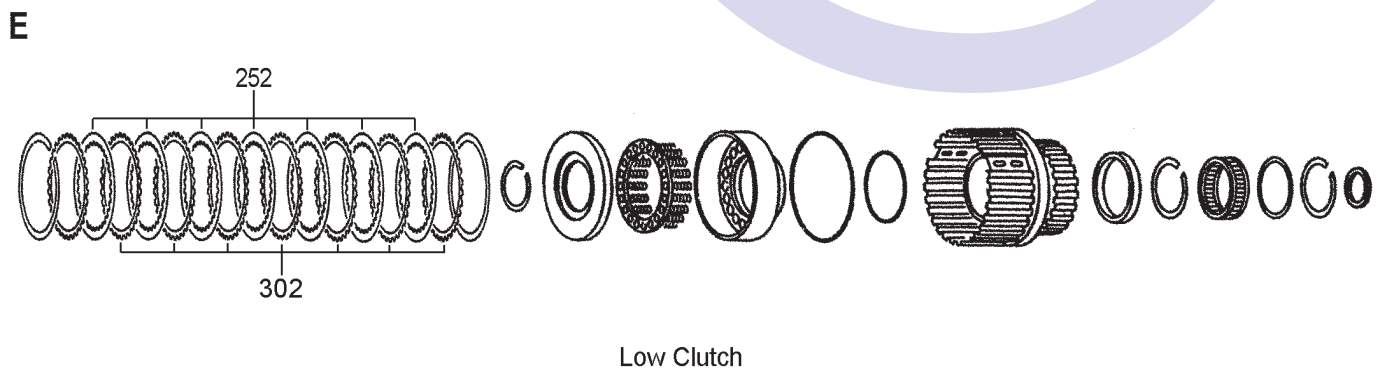
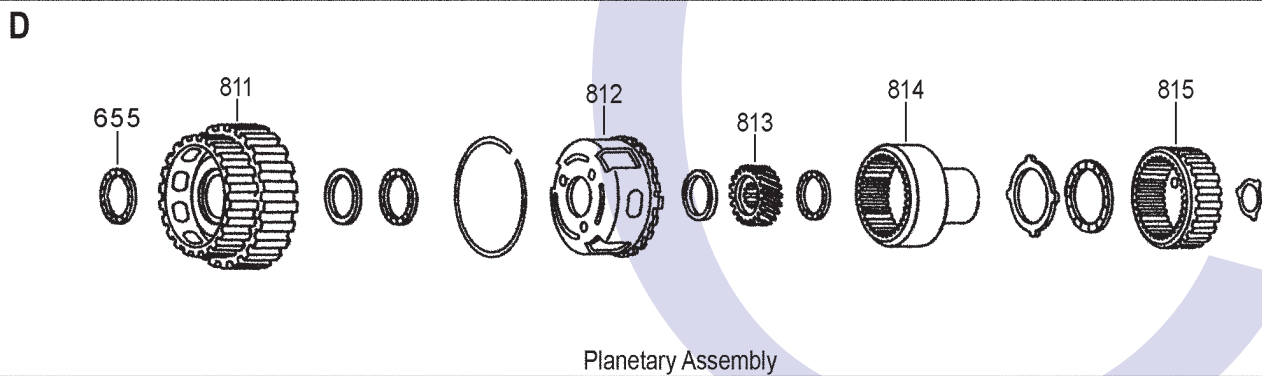
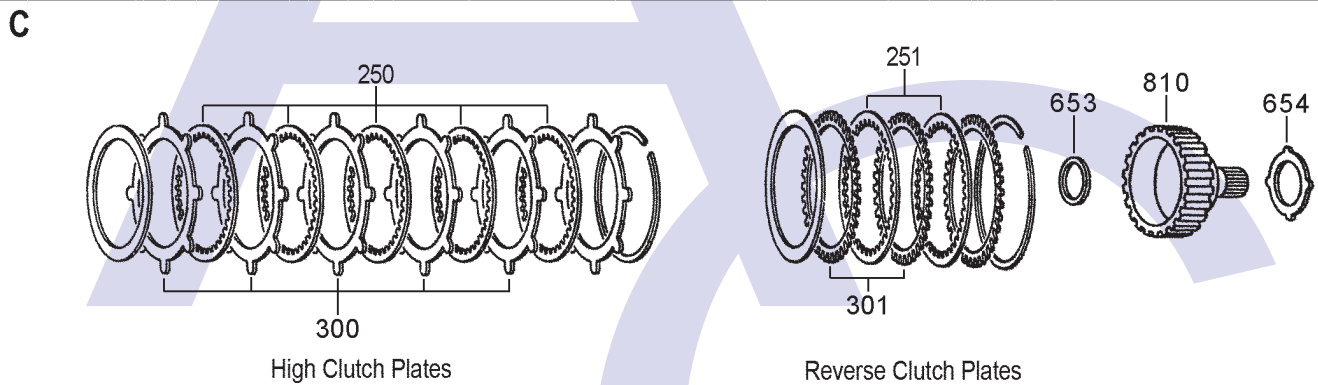
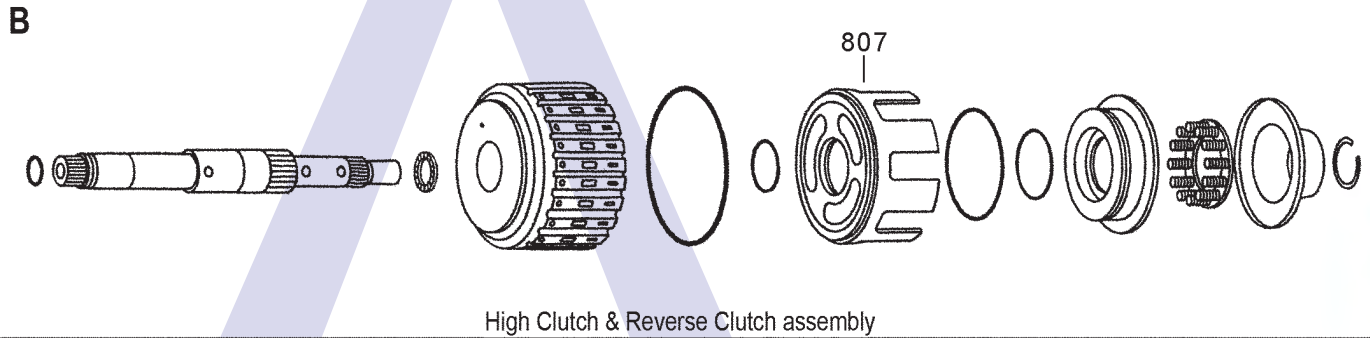
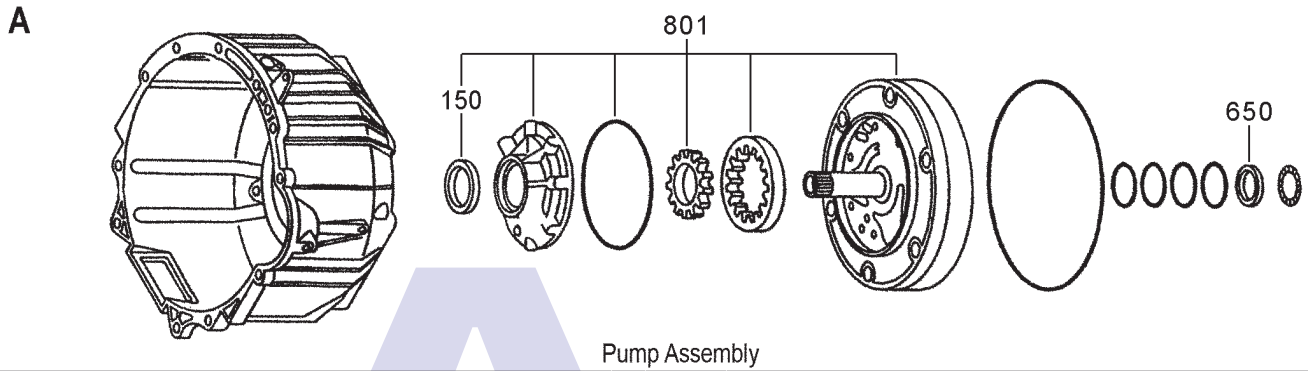
## 4 Speed RWD/4WD (Electronic Control)



AUTOMATIC CHOICE



THE AUTOMATIC TRANSMISSION PARTS WAREHOUSE



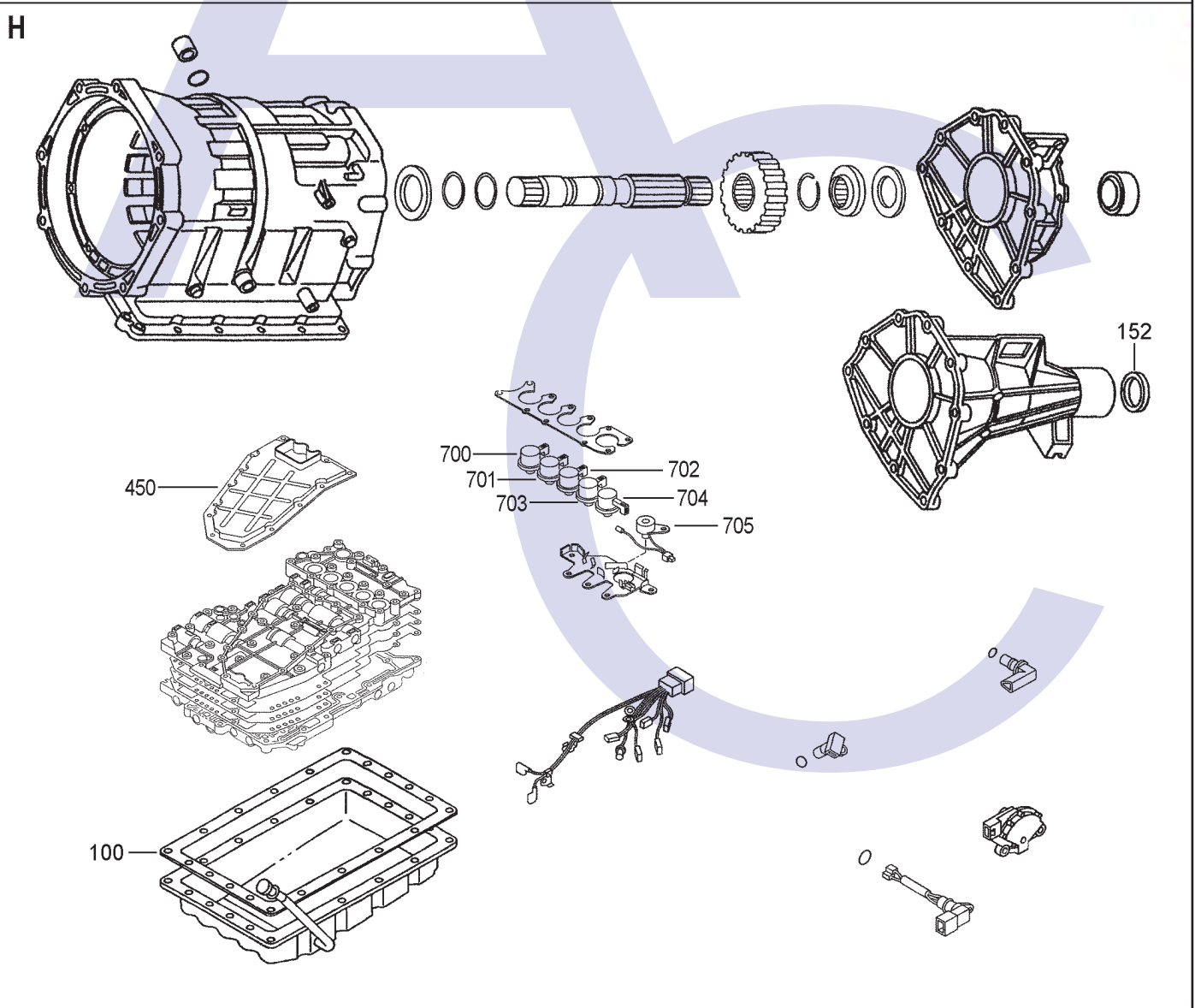
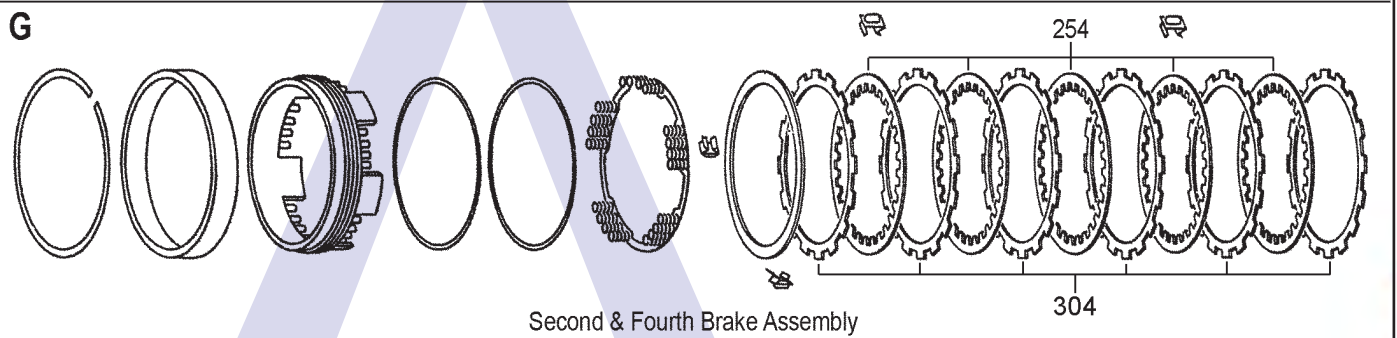
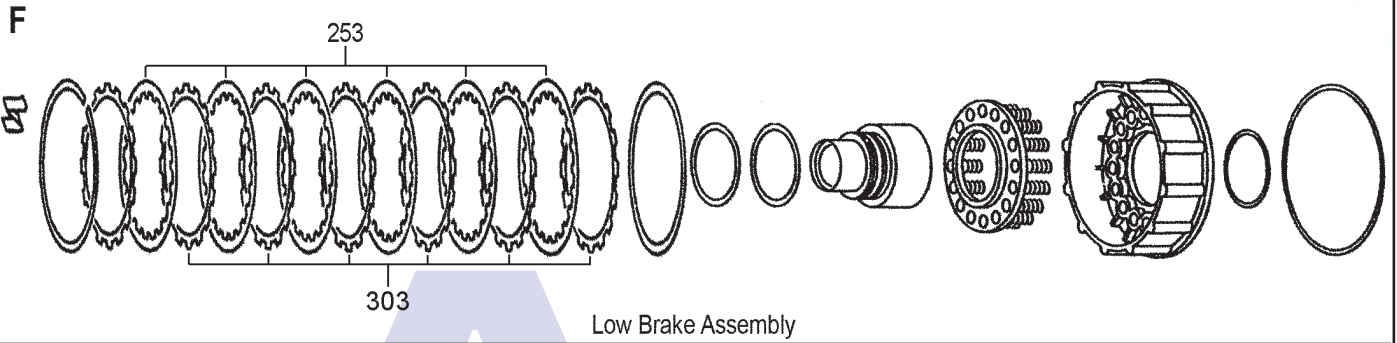
# JR405E (Isuzu D-Max Truck 2002-11 Etc & Nissan) 4 Speed RWD/4WD (Electronic Control)



AUTOMATIC CHOICE



THE AUTOMATIC TRANSMISSION PARTS WAREHOUSE



# JR405E (Isuzu D-Max Truck 2002-11 Etc & Nissan)

## 4 Speed RWD/4WD (Electronic Control)



AUTOMATIC CHOICE



THE AUTOMATIC TRANSMISSION PARTS WAREHOUSE

ILL NO.	DESCRIPTION	YEARS	QTY	PART NO
<b>KITS</b>				
Kit	Overhaul (OEM).....	02-ON	1	JR405E.OHK01
Kit	Overhaul (Transtec).....	02-ON	1	JR405E.OHK02
Kit	Overhaul (Transtec W/Pistons) ..	04-ON	1	JR405E.OHK03
Kit	Overhaul (Precision W/Pistons)	02-ON	1	JR405E.OHK51
Kit	Overhaul (Precision) (Without Pistons).....	02-ON	1	JR405E.OHK52
<b>GASKETS</b>				
100H	Pan Gasket (Farpak®).....	02-ON	1	JR405E.GAS01
<b>RUBBER COMPONENTS</b>				
<b>METAL CLAD SEALS</b>				
150A	Converter to Pump.....	02-ON	1	RL4.MCS01
152H	Extension Seal.....	02-ON	1	JR405E.MCS02
<b>MOULDED PISTONS</b>				
<b>SEALING RINGS</b>				
Kit	Sealing Ring Kit .....	04-ON	1	JR405E.SRK01
<b>FRICTION PLATES</b>				
Kit	Friction Plate (Precision).....	04-09	1	JR405E.FRK51
250C	High Clutch (129mm OD x 1.60mm x 30T) ..	02-ON	6	JR405E.FRP01
251C	Reverse (142mm OD x 1.60mm x 30T) ..	02-ON	2	JR405E.FRP02
252E	Low Clutch (138mm OD x 1.80mm x 30T) ..	02-ON	5	SUB4.FRP17
253F	Low / Reverse Brake (148mm OD x 1.60mm x 30T) ..	02-ON	4	SUB4.FRP07
254G	Second & Fourth Brake (166mm OD x 1.60mm x 30T) ..	02-ON	4	SUB4.FRP16
<b>STEEL PLATES</b>				
Kit	Steel Plate (Isuzu).....	02-03	1	JR405E.STK01
Kit	Steel Plate.....	04-09	1	JR405E.STK02
300C	High Clutch (104mm ID x 2.10mm x 8 T) ....	02-ON	6	JR405E.STP06
300C	High Clutch (104mm ID x 3.00mm x 8 T) ....	02-ON	AR	JR405E.STP01
301C	Reverse Clutch (125mm ID x 1.60mm x 32T) ....	02-ON	2	JR405E.STP02
302E	Low Clutch (123mm ID x 1.50mm x 27T) ....	02-ON	5	JR405E.STP03
303F	Low Reverse Brake (129mm ID x 2.10mm x 20T) ....	02-ON	4	JR405E.STP04
304G	Second & Fourth Brake (144mm ID x 3.65mm x 15T) ....	02-ON	8	JR405E.STP05

ILL NO.	DESCRIPTION	YEARS	QTY	PART NO
<b>PRESSURE PLATES</b>				
<b>SPRINGS &amp; CIRCLIPS</b>				
<b>FILTERS</b>				
450H	Oil Pick Up .....	02-ON	1	JR405E.FIL01
<b>BANDS</b>				
<b>BUSHINGS</b>				
<b>THRUST WASHERS &amp; BEARINGS</b>				
650A	Race, High/Rev Drum Selective (1.50mm Thick) .....	02-ON	AR	JR405E.TOR04
	(2.40mm Thick) .....	02-ON	AR	JR405E.TOR05
653C	Race, High Clutch Hub (Front) .....	02-ON	1	JR405E.TOR01
654C	Race, High Clutch Hub (Rear).....	02-ON	1	JR405E.TOR02
655D	Bearing, High Clutch Hub to Sun Gear.....	02-ON	1	JR405E.TOR03
<b>ELECTRICAL COMPONENTS</b>				
700H	Shift Solenoid.....	02-ON	4	JR405E.SOL02
701H	Shift Solenoid.....	02-ON	4	JR405E.SOL02
702H	Lock Up Solenoid (TCC) .....	02-ON	1	JR405E.SOL03
703H	Shift Solenoid.....	02-ON	4	JR405E.SOL02
704H	Shift Solenoid.....	02-ON	4	JR405E.SOL02
705H	Pressure Regulator Solenoid (EPC) .....	02-ON	1	JR405E.SOL01
<b>VALVE BODY PARTS</b>				
<b>HARD PARTS</b>				
801A	Pump Assembly (Isuzu) .....	02-ON	1	JR405E.PUM01
807B	Piston, Reverse Clutch .....	02-ON	1	JR405E.PIS01
810C	Hub, High Clutch.....	02-ON	1	JR405E.HUB01
811D	Rear Planet & Sun Gear .....	02-ON	1	JR405E.PL01
812D	Rear Planet (Isuzu).....	02-ON	1	JR405E.PL02
813D	Forward Sun Gear (Isuzu) .....	02-ON	1	JR405E.SUN01
814D	Front Planetary Hub (Isuzu).....	02-ON	1	JR405E.GE01
815D	Annulus, Intermediate Ring Gear.....	02-ON	1	JR405E.GE02

# JR405E (Isuzu D-Max Truck 2002-11 Etc & Nissan) 4 Speed RWD/4WD (Electronic Control)



A  
U  
T  
O  
M  
A  
T  
I  
C  
C  
H  
O  
I  
C  
E



T  
H  
E  
A  
U  
T  
O  
M  
A  
T  
I  
C  
T  
R  
A  
N  
S  
M  
I  
S  
S  
I  
O  
N  
P  
A  
R  
T  
S  
W  
A  
R  
E  
H  
O  
U  
S  
E

ILL NO.	DESCRIPTION	YEARS	QTY	PART NO
<b>SPECIAL ITEMS</b>				
<b>TOOLS &amp; MANUALS</b>				

ILL NO.	DESCRIPTION	YEARS	QTY	PART NO