

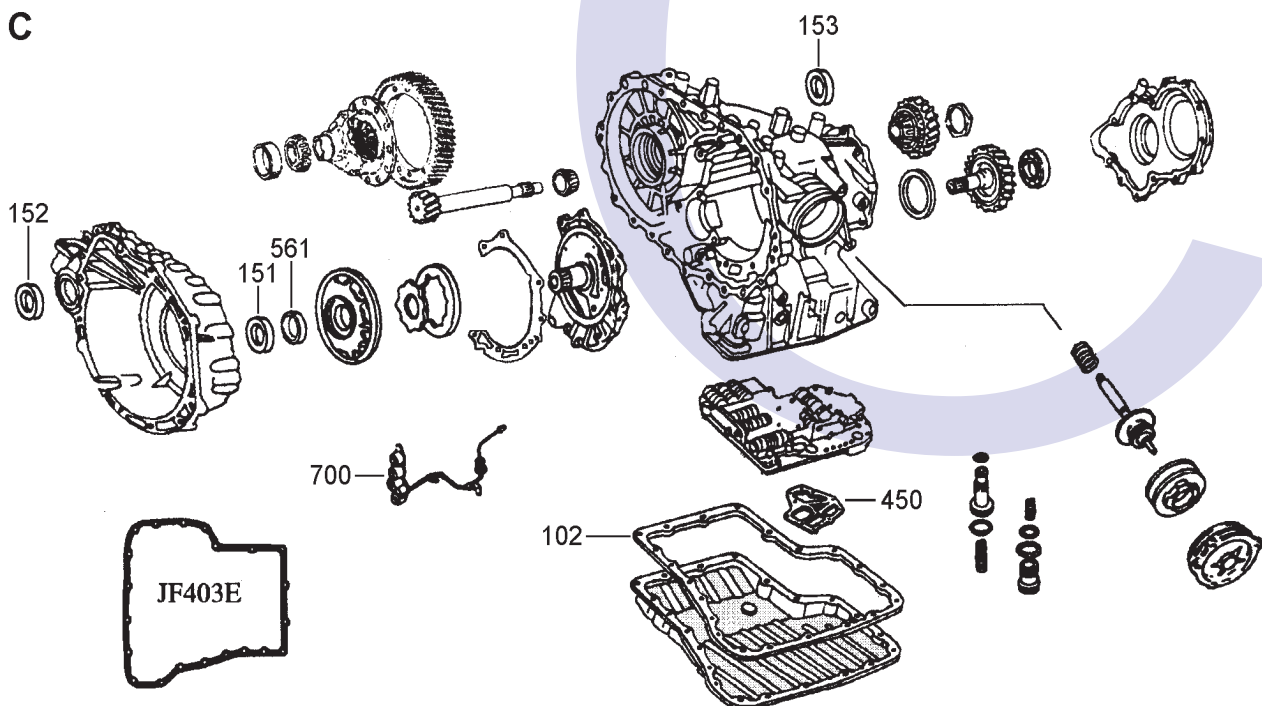
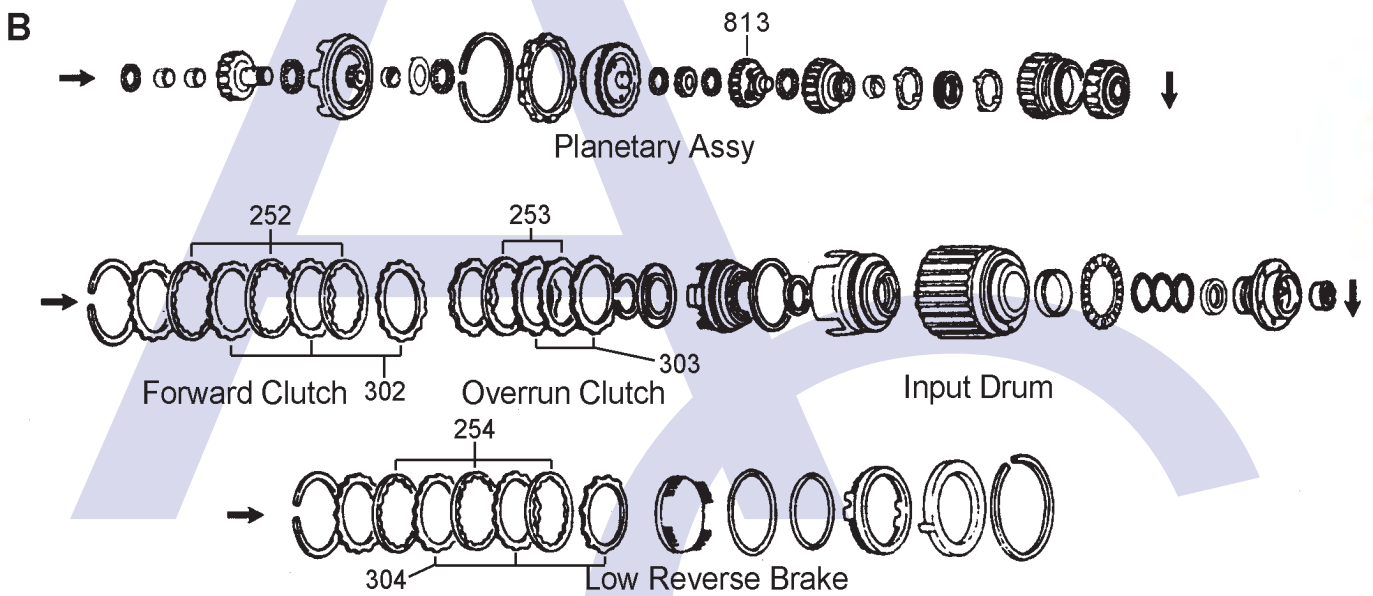
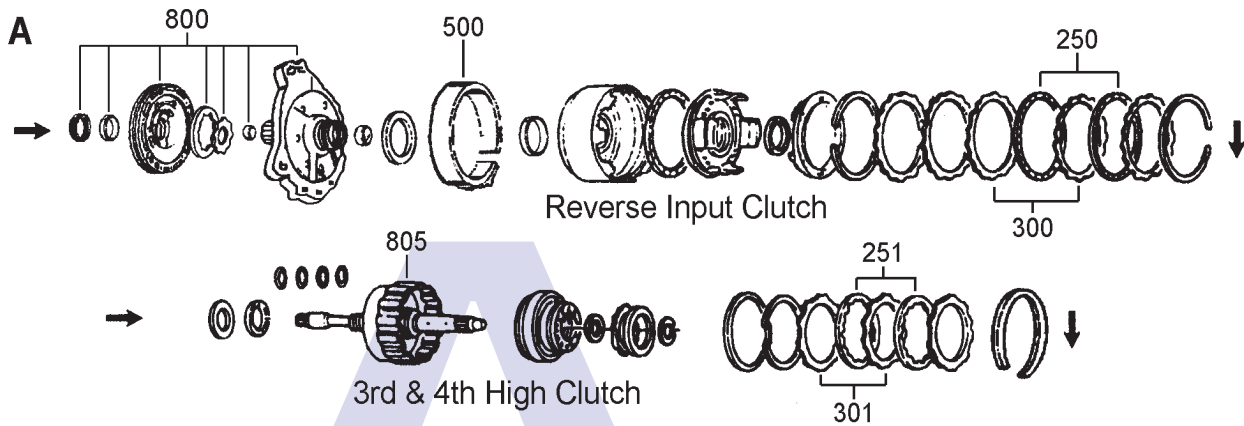
ROVER JATCO JF403E, MAZDA LJ4AEL 4 SPEED FWD (Electronic Control)



AUTOMATIC CHOICE



THE AUTOMATIC TRANSMISSION PARTS WAREHOUSE



ROVER JATCO JF403E, MAZDA LJ4AEL 4 SPEED FWD (Electronic Control)



AUTOMATIC CHOICE



THE AUTOMATIC TRANSMISSION PARTS WAREHOUSE

| ILL NO. | DESCRIPTION | YEARS | QTY | PART NO |
|--------------------------|--|---------|-----|--------------------------------------|
| KITS | | | | |
| Kit | Overhaul Kit (Transtec)..... | 90-ON | 1 | RL4.OHK04 |
| Kit | Overhaul Kit (Precision) (JF403E, LJ4AEL)..... | 90-ON | 1 | JF403E.OHK51 |
| GASKETS | | | | |
| 102C NI | Pan Gasket JF403 (Not Rover) Valve Body Gasket (Upper to Lower)..... | 90-ON | 1 | RL4.GAS21 RL4.GAS22 |
| RUBBER COMPONENTS | | | | |
| METAL CLAD SEALS | | | | |
| 151C | Converter Seal JF403E..... | 90-ON | 1 | RL43.MCS01 |
| 152C | Drive Shaft Right Hand (Rover JF403E)..... | 90-ON | 1 | F3A.MCS02 |
| 152C | Drive Shaft Right Hand (Mazda LJ4AEL)..... | 90-ON | 1 | KM170.MCS02 |
| 153C | Drive Shaft Left Hand (Rover JF403E)..... | 90-ON | 1 | F3A.MCS02 |
| 153C | Drive Shaft Left Hand (Mazda LJ4AEL)..... | 90-ON | 1 | KM170.MCS02 |
| SEALING RINGS | | | | |
| Kit | Sealing Ring Kit | 90-ON | 1 | RL4.SRK02 |
| FRICTION PLATES | | | | |
| Kit | Friction Plate (Alto) (Nissan JF403E, RT77, M10) ... | 95-ON | 1 | JF403E.FRK52 |
| 250A | Reverse Clutch (140mm OD x 1.60mm x 28T) .. | 90-ON | 2 | RL4.FRP20 |
| 251A | High Clutch (112mm OD x 1.60mm x 20T)... | 90-93 | 3 | RL4.FRP24 |
| 251A | High Clutch (112mm OD x 1.60mm x 21T)... | To 6/94 | 4 | RL4.FRP21 |
| 251A | High Clutch (112mm OD x 1.60mm x 24T)... | 6/94-ON | 4 | RL4.FRP23 |
| 252B | Forward Clutch (137mm OD x 1.60mm x 32T) .. | 90-93 | 4 | RL4.FRP25 |
| 252B | Forward Clutch (137mm OD x 1.40mm x 32T) .. | 94-ON | 6 | RL4.FRP26 |
| 253B | Overrun Clutch (127mm OD x 1.60mm x 20T) .. | 90-ON | 3 | RL4.FRP27 |
| 254B | Low & Reverse (164mm OD x 1.65mm x 32T) .. | 90-ON | 7 | RL4.FRP28 |
| STEEL PLATES | | | | |
| Kit | Steel Plate (Alto) (JF403E) | 90-93 | 1 | JF403E.STK51 |
| Kit | Steel Plate (Alto) (LJ4AEL)..... | 95-ON | 1 | LJ4.STK51 |
| 300A | Reverse Clutch (126mm ID x 1.80mm x 30T).... | 90-ON | 2 | RL4.STP21 |
| 301A | High Clutch (94mm ID x 2.20mm x 28T) | 90-92 | 5 | RL4.STP23 |
| 301A | High Clutch (94mm ID x 1.40mm x 28T) | 94-ON | 6 | RL4.STP22 |
| 301A | High Clutch (94mm ID x 2.00mm x 28T) | 94-ON | 1 | RL4.STP24 |
| 15B..... | Forward Clutch (126mm ID x 1.80mm x 32T).... | 90-93 | 6 | RL4.STP25 |

| ILL NO. | DESCRIPTION | YEARS | QTY | PART NO |
|--------------------------------------|--|-------|-----|---------------------|
| STEEL PLATES Cont... | | | | |
| 302B | Forward Clutch (126mm ID x 1.40mm x 32T) | 94-ON | 6 | RL4.STP26 |
| 303B | Overrun Clutch (113mm ID x 1.60mm x 8T) | 90-ON | 3 | RL4.STP27 |
| 304B | Low & Reverse (150mm ID x 1.80mm x 10T) | 90-ON | 6 | RL4.STP29 |
| PRESSURE PLATES | | | | |
| SPRINGS & CIRCLIPS | | | | |
| FILTERS | | | | |
| 450C | Filter (Mazda & Rover 825)..... | 94-ON | 1 | RL4.FIL21 |
| 450C | Filter (Not Rover) | 90-93 | 1 | RL4.FIL22 |
| BANDS | | | | |
| 500A | Overdrive & Second Band (40mm Wide) | 90-ON | 1 | RL4.BAN20 |
| 500A | Overdrive & Second Band (40mm Wide Borg Warner) | 90-ON | 1 | RL4.BAN23 |
| BUSHINGS | | | | |
| 561C | Pump Body Bush | 90-ON | 1 | RL4.BUS06 |
| THRUST WASHERS & BEARINGS | | | | |
| ELECTRICAL COMPONENTS | | | | |
| 700C | Solenoid Set (5 Sols) (Not Rover Connector)..... | 90-ON | 1 | RL4.SOL21 |
| 700C | Solenoid Set (5 Sols) (Alternative) (Not Rover Connector)..... | 90-ON | 1 | JF403E.SOL01 |
| NI | Pressure Solenoid (EPC) (Common failure and can be spliced into set) | 90-ON | 1 | RL4.SOL02 |
| VALVE BODY PARTS | | | | |
| HARD PARTS | | | | |
| 800A | Pump Assembly (JF403E) | 90-ON | 1 | RL4.PUM22 |
| 805A | Drum - High Clutch W/Input Shaft (Uses 28 Tooth Steels)..... | 90-ON | 1 | RL4.DRU23 |
| 813B | Rear Planet 37 T Sun Gear | 90-ON | 1 | RL4.PL24 |
| SPECIAL ITEMS | | | | |
| TOOLS & MANUALS | | | | |