

# HONDA 4 SPEED 2 SHAFT

## 4 SPEED FWD (Electronic & Hydraulic Control)

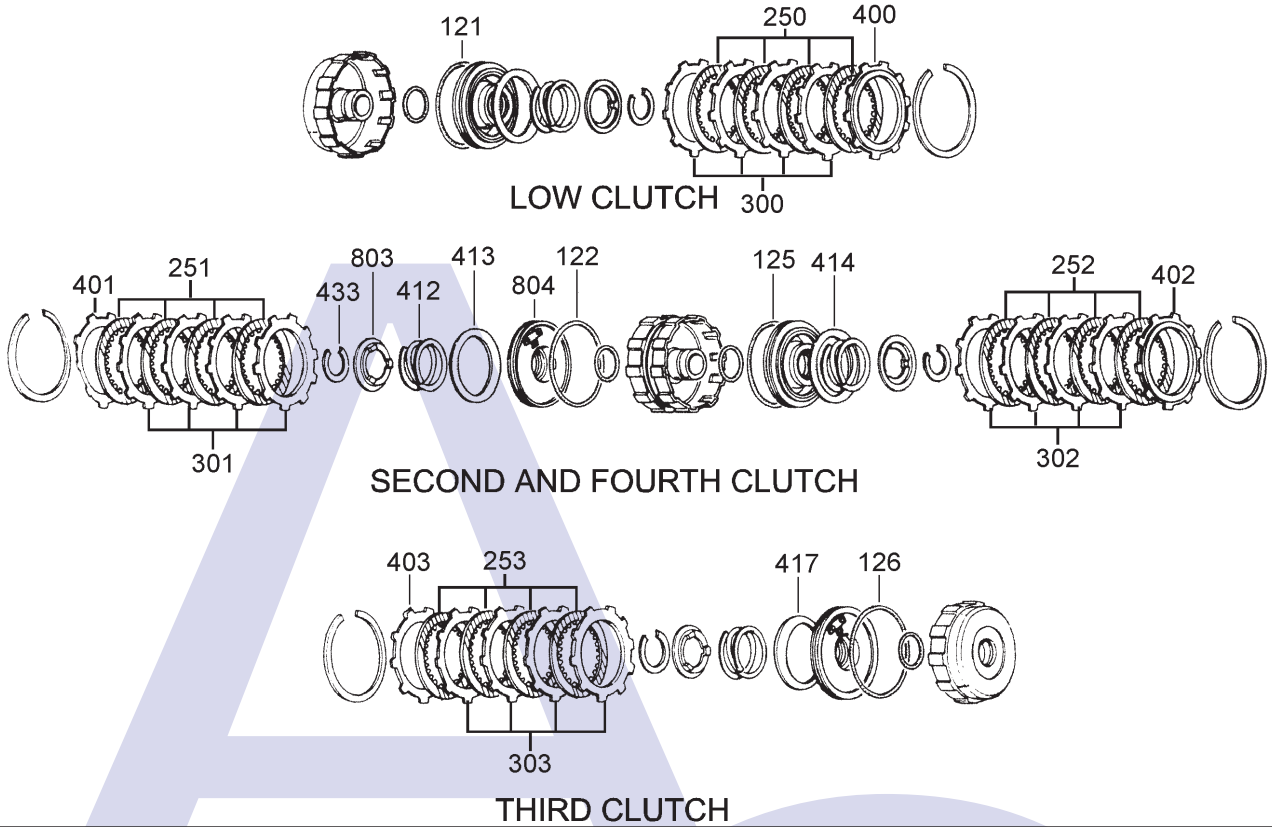


AUTOMATIC CHOICE

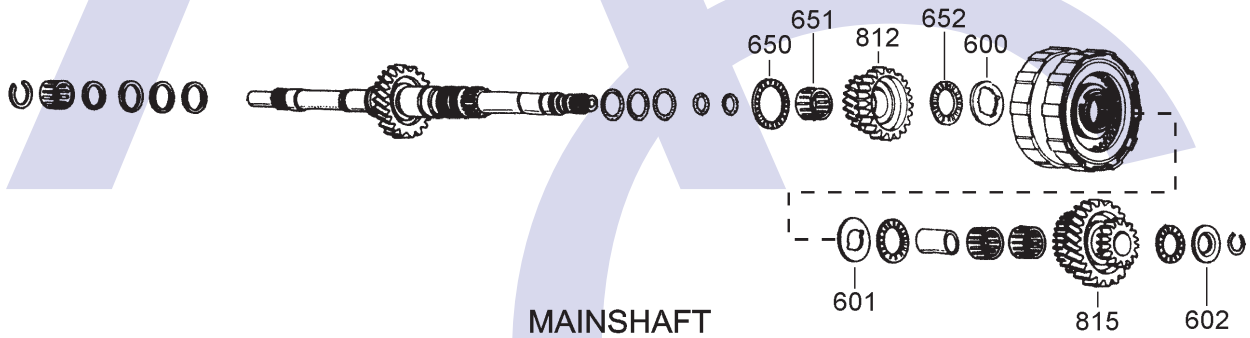


THE AUTOMATIC TRANSMISSION PARTS WAREHOUSE

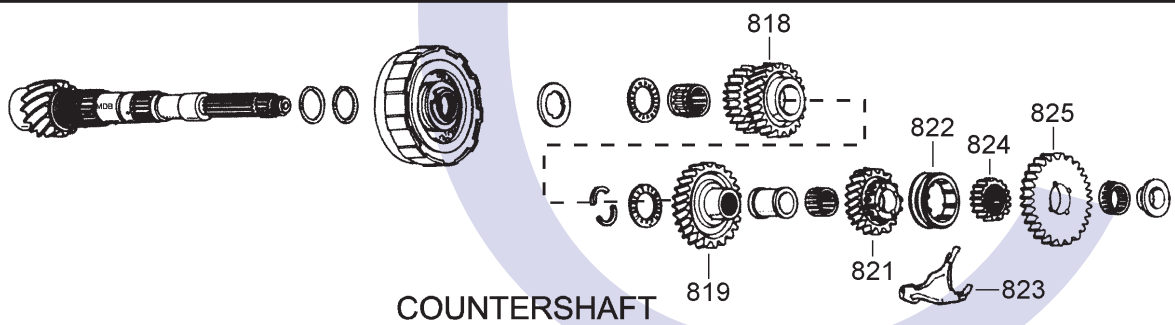
**A**



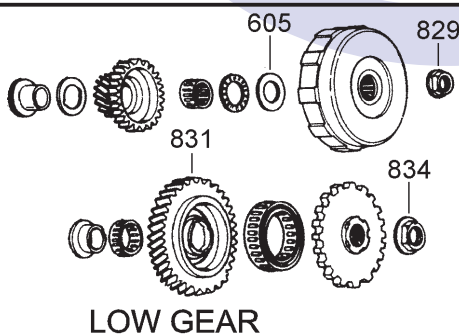
**B**



**C**



**D**



# HONDA 4 SPEED 2 SHAFT

## 4 SPEED FWD (Electronic & Hydraulic Control)

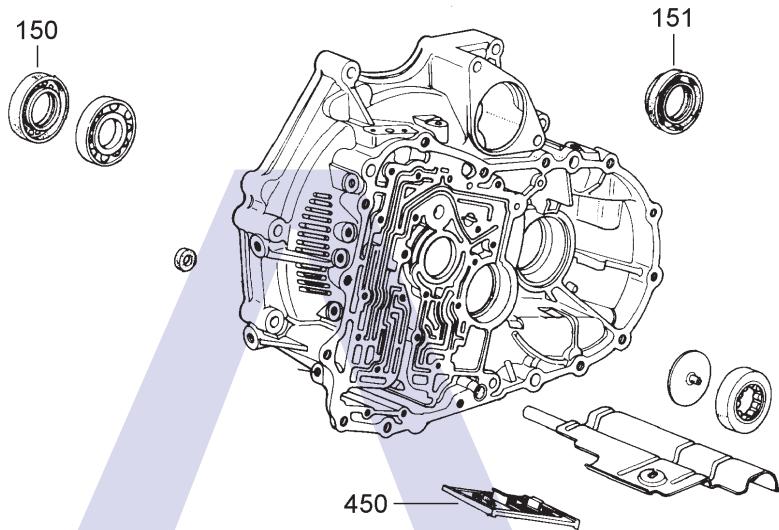


AUTOMATIC CHOICE



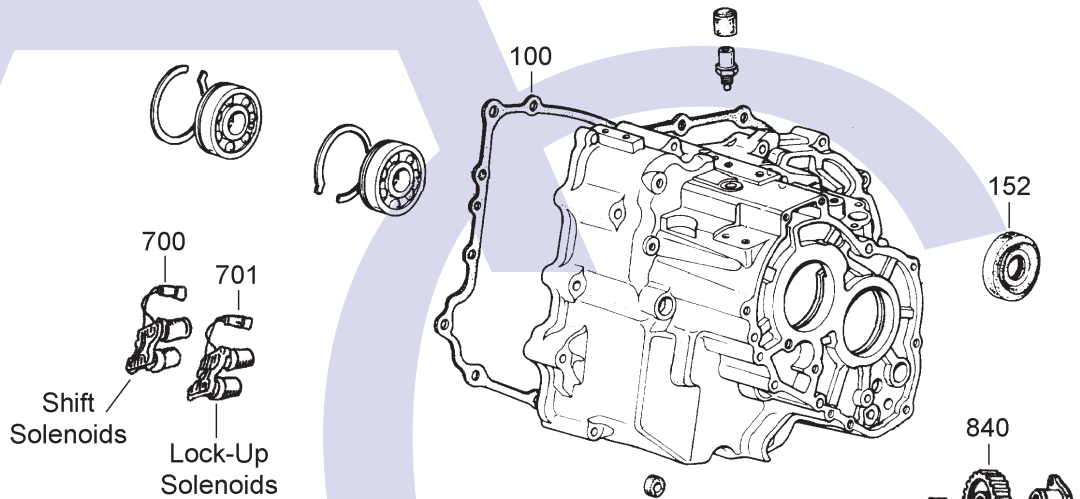
THE AUTOMATIC TRANSMISSION PARTS WAREHOUSE

E



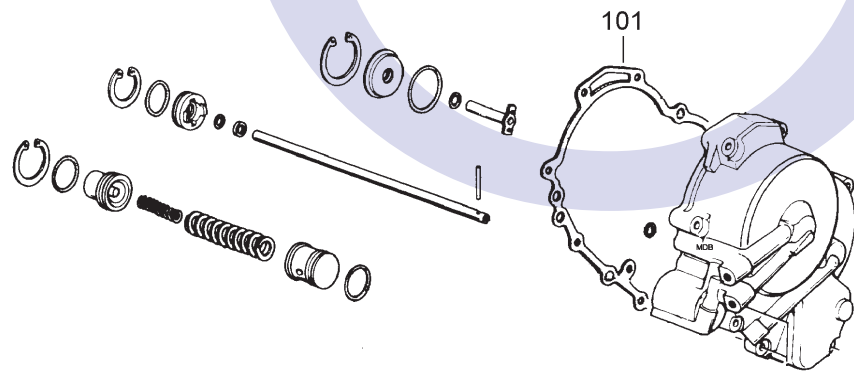
CONVERTER HOUSING

F



TRANSMISSION HOUSING

G



END HOUSING

# HONDA 4 SPEED 2 SHAFT

## 4 SPEED FWD (Electronic & Hydraulic Control)



AUTOMATIC CHOICE



THE AUTOMATIC TRANSMISSION PARTS WAREHOUSE

ILL NO.	DESCRIPTION	YEARS	QTY	PART NO
<b>KITS</b>				
Kit	Overhaul Kit (Transtec) (Honda Accord <b>AK, AS</b> ).....	83-85	1	<b>HON4.OHK04</b>
Kit	Overhaul Kit (Precision) (Honda Accord <b>AK, AS</b> ).....	83-85	1	<b>HON4.OHK54</b>
Kit	Overhaul Kit (Transtec) (Honda Accord <b>F4</b> ).....	86-89	1	<b>HON4.OHK02</b>
Kit	Overhaul Kit (Transtec) (Honda Civic <b>CA</b> ).....	86-87	1	<b>HON4.OHK04</b>
Kit	Overhaul Kit (Transtec) (Civic <b>L4, ML4A</b> 110mm).....	88-91	1	<b>HON4.OHK18</b>
Kit	Overhaul Kit (Precision) (Civic <b>CA, L4, ML4A, M48A</b> ) (110mm Clutch) .....	86-91	1	<b>HON4.OHK66</b>
Kit	Overhaul Kit (Transtec) (Civic <b>A4RA, B4RA, B46A, M4RA, S24A, S1LA</b> 110mm Plates).....	96-ON	1	<b>HON4.OHK11</b>
Kit	Overhaul Kit (Precision) (Civic <b>BMXA, SLXA</b> 110mm)....	01-ON	1	<b>HON4.OHK51</b>
Kit	Overhaul Kit (Precision) (Civic <b>S5, MP5A</b> 110mm).....	89-91	1	<b>HON4.OHK68</b>
Kit	Overhaul Kit (Transtec) (Honda Integra <b>CA, PI</b> ).....	86-89	1	<b>HON4.OHK03</b>
Kit	Overhaul Kit (Precision) (Honda Integra <b>CA</b> ).....	86-87	1	<b>HON4.OHK53</b>
Kit	Overhaul Kit (Precision) (Honda Integra <b>PI</b> ).....	88-89	1	<b>HON4.OHK59</b>
Kit	Overhaul Kit (Transtec) (Honda Prelude <b>AS</b> ).....	83-87	1	<b>HON4.OHK04</b>
Kit	Overhaul Kit (Precision) (Honda Prelude <b>AS</b> ).....	83-87	1	<b>HON4.OHK54</b>
Kit	Overhaul Kit (Transtec) (Honda Prelude <b>F4</b> ) With Fuel Injection .....	85-87	1	<b>HON4.OHK02</b>
Kit	Overhaul Kit (Precision) (Honda Prelude <b>F4</b> ) With Fuel Injection .....	85-87	1	<b>HON4.OHK69</b>
Kit	Overhaul Kit (Transtec) (Prelude <b>K4, PY8A, MY8A</b> ).....	88-91	1	<b>HON4.OHK14</b>
Kit	Overhaul Kit (Precision) (Prelude <b>K4, PY8A, MY8A</b> ).....	88-91	1	<b>HON4.OHK67</b>
Kit	Overhaul Kit (Transtec) (Rover 825 <b>G4</b> , Legend <b>G4</b> ).....	82-87	1	<b>HON4.OHK01</b>
Kit	Overhaul Kit (Precision) (Rover 825 <b>G4</b> , Legend <b>G4</b> ).....	86-87	1	<b>HON4.OHK71</b>
Kit	Overhaul Kit (Transtec) (Rover 827 <b>L5</b> , Legend <b>L5</b> ).....	88-89	1	<b>HON4.OHK01</b>
Kit	Overhaul Kit (Precision) (Rover 827 <b>L5</b> , Legend <b>L5</b> ).....	88-89	1	<b>HON4.OHK71</b>
Kit	Overhaul Kit (Transtec) (Rover 827 <b>PL5X, MPLA</b> , Honda Legend <b>PL5X</b> ).....	90-91	1	<b>HON4.OHK01</b>
Kit	Overhaul Kit (Precision) (Rover 827 <b>PL5X, MPLA</b> , Honda Legend <b>PL5X</b> ).....	90-91	1	<b>HON4.OHK71</b>
Kit	Overhaul Kit (Transtec) (Rover 216, 416, 220 <b>SPPA</b> Etc 110mm Clutches .....	88-90	1	<b>HON4.OHK05</b>
Kit	Overhaul Kit (Precision) (Vigor <b>MPWA</b> ) (With Pan).....	92-94	1	<b>HON4.OHK72</b>
Kit	Overhaul Kit (Precision) (2.5TL <b>M1WA</b> ).....	95-98	1	<b>HON4.OHK73</b>
Kit	Gasket & Rubber Kit Honda Accord ( <b>AK, AS</b> ).....	83-85	1	<b>HON4.GSK04</b>
Kit	Gasket & Rubber Kit Honda Accord <b>F4</b> .....	86-89	1	<b>HON4.GSK02</b>
Kit	Gasket & Rubber Kit Honda Civic ( <b>CA, L4, ML4A</b> )....	86-91	1	<b>HON4.GSK04</b>

ILL NO.	DESCRIPTION	YEARS	QTY	PART NO
<b>KITS Cont...</b>				
Kit	Gasket & Rubber Kit Honda Integra ( <b>CA, PI</b> ).....	86-89	1	<b>HON4.GSK04</b>
Kit	Gasket & Rubber Kit Honda Prelude ( <b>AS</b> ).....	83-87	1	<b>HON4.GSK04</b>
Kit	Gasket & Rubber Kit Honda Prelude ( <b>F4, K4, PY8A, MY8A</b> ).....	85-91	1	<b>HON4.GSK02</b>
Kit	Gasket & Rubber Kit Rover 825, 827, Legend.....	82-91	1	<b>HON4.GSK01</b>
<b>GASKETS</b>				
100F	Case to Case Gasket Rover 825 & Legend <b>G4</b> .....	86-87	1	<b>HON4.GAS01</b>
100F	Case to Case Gasket Rover 827 & Legend ( <b>L5, PL5X, MPLA</b> ).....	88-91	1	<b>HON4.GAS03</b>
101G	End Cover Gasket Rover 825 & Legend <b>G4</b> .....	86-87	1	<b>HON4.GAS02</b>
101G	End Cover Gasket Rover 827 & Legend ( <b>L5, PL5X, MPLA</b> ).....	88-91	1	<b>HON4.GAS04</b>
<b>RUBBER COMPONENTS</b>				
121A	'O' Ring, Low Clutch Outer (116mm Frictions).....	86-ON	1	<b>HON4.OR01</b>
122A	'O' Ring, Second Clutch Outer (116mm Frictions).....	86-ON	1	<b>HON4.OR01</b>
125A	'O' Ring, Fourth Clutch Outer (116mm Frictions).....	86-ON	1	<b>HON4.OR01</b>
126A	'O' Ring, Third Clutch Outer (116mm Frictions).....	86-ON	1	<b>HON4.OR01</b>
<b>METAL CLAD SEALS</b>				
150E	Converter (All Rover & Legend).....	83-91	1	<b>HON4.MCS01</b>
150E	Converter Seal (All Honda).....	83-ON	1	<b>HON4.MCS02</b>
152F	Drive Shaft L/H Rover 216/416 (56mm x 40mm x 9mm).....	84-ON	1	<b>HON4.MCS04</b>
152F	Drive Shaft L/H (Counter Clockwise Rotation) (76mm x 35mm x 9mm).....	83-ON	1	<b>HON4.MCS06</b>
152F	Drive Shaft L/H (Counter Clockwise Rotation) (54mm x 38mm x 8mm).....	88-ON	1	<b>HON4.MCS07</b>
151F	Drive Shaft R/H Rover 216/416 (76mm x 40mm x 9mm).....	84-ON	1	<b>HON4.MCS05</b>
151F	Drive Shaft R/H (Clockwise Rotation) (66mm x 40mm x 8mm).....	88-ON	1	<b>HON4.MCS07</b>
<b>SEALING RINGS</b>				
Kit	Sealing Ring, Rover 825, 827, Legend ( <b>G4, L5, PL5X, MPLA</b> ).....	86-91	1	<b>HON4.SRK01</b>

# HONDA 4 SPEED 2 SHAFT

## 4 SPEED FWD (Electronic & Hydraulic Control)



AUTOMATIC CHOICE



THE AUTOMATIC TRANSMISSION PARTS WAREHOUSE

ILL NO.	DESCRIPTION	YEARS	QTY	PART NO
<b>FRICITION PLATES</b>				
Kit	Friction Plate (Alto) (AK 106mm Frictions).....	83-85	1	HON4.FRK57
Kit	Friction Plate (Alto) (AS, CA, L4 110mm Frictions)..	83-91	1	HON4.FRK58
Kit	Friction Plate (Alto) (116mm Frictions) (G4, L5, PL5X, MPLA) .....	86-91	1	HON4.FRK56
Kit	Friction Plate (Alto) (F4, K4, PY8A, MY8A, MPRA). 86-91		1	HON4.FRK59
250A	First Clutch (Code AK) (106mm OD x 1.90mm x 38T) ..	83-85	3	HON3.FRP01
250A	First Clutch (Codes AS, CA, L4, ML4A, P1 A4RA, B4RA, BDRA, M4RA, BMXA, SLXA) (110mm OD x 2.00mm x 38T) .	L83-86	3	HON4.FRP01
250A	First Clutch (Alto) (Codes AS, CA, L4, ML4A, P1 A4RA, B4RA, BDRA, M4RA, BMXA, SLXA) (110mm OD x 2.00mm x 38T) .	L83-86	3	HON4.FRP53
250A	First Clutch (Alto Hi P Red Eagle®) (Codes AS, CA, L4, ML4A, P1 A4RA, B4RA, BDRA, M4RA, BMXA, SLXA) (110mm OD x 2.00mm x 38T) .	L83-86	3	HON4.FRP67
250A	First Clutch (Codes F4, K4, PY8A, MY8A, G4, L5, PL5X, MPLA) (116mm OD x 1.90 x 41T) .....	85-98	3-4	HON4.FRP02
250A	First Clutch (Alto) (Codes F4, K4, PY8A, MY8A, G4, L5, PL5X, MPLA) (116mm OD x 1.90 x 41T) .....	85-98	3-4	HON4.FRP51
251A	Second Clutch (Code AK) 106mm OD x 1.90mm x 38T) ...	83-85	3	HON3.FRP01
251A	Second Clutch (Codes AS, CA, L4, ML4A, P1 A4RA, B4RA, BDRA, M4RA, BMXA, SLXA) (110mm OD x 2.00mm x 38T) .	L83-86	3	HON4.FRP01
251A	Second Clutch (Alto) (Codes AS, CA, L4, ML4A, P1 A4RA, B4RA, BDRA, M4RA, BMXA, SLXA) (110mm OD x 2.00mm x 38T) .	L83-86	3	HON4.FRP53
251A	Second Clutch (Alto Hi P Red Eagle®) (Codes AS, CA, L4, ML4A, P1 A4RA, B4RA, BDRA, M4RA, BMXA, SLXA) (110mm OD x 2.00mm x 38T) .	L83-86	3	HON4.FRP67
251A	Second Clutch (Codes F4, K4, PY8A, MY8A, G4, L5, PL5X, MPLA) (116mm OD x 1.90 x 41T) .....	85-98	3-4	HON4.FRP02
251A	Second Clutch (Alto) (Codes F4, K4, PY8A, MY8A, G4, L5, PL5X, MPLA) (116mm OD x 1.90 x 41T) .....	85-98	3-4	HON4.FRP51
252A	Fourth Clutch (Code AK) 106mm OD x 1.90mm x 38T) ...	83-85	3	HON3.FRP01
252A	Fourth Clutch (Codes AS, CA, L4, ML4A, P1 A4RA, B4RA, BDRA, M4RA, BMXA, SLXA) (110mm OD x 2.00mm x 38T) .	L83-86	3	HON4.FRP01
252A	Fourth Clutch (Alto) (Codes AS, CA, L4, ML4A, P1 A4RA, B4RA, BDRA, M4RA, BMXA, SLXA) (110mm OD x 2.00mm x 38T) .	L83-86	3	HON4.FRP53

ILL NO.	DESCRIPTION	YEARS	QTY	PART NO
<b>FRICITION PLATES Cont...</b>				
252A	Fourth Clutch (Alto Hi P Red Eagle®) (Codes AS, CA, L4, ML4A, P1 A4RA, B4RA, BDRA, M4RA, BMXA, SLXA) (110mm OD x 2.00mm x 38T) .	L83-86	3	HON4.FRP67
252A	Fourth Clutch (Codes F4, K4, PY8A, MY8A, G4, L5, PL5X, MPLA) (116mm OD x 1.90 x 41T) .....	85-98	3-4	HON4.FRP02
252A	Fourth Clutch (Alto) (Codes F4, K4, PY8A, MY8A, G4, L5, PL5X, MPLA) (116mm OD x 1.90 x 41T) .....	85-98	3-4	HON4.FRP51
253A	Third Clutch (Code AK) 106mm OD x 1.90mm x 38T) ...	83-85	3	HON3.FRP01
253A	Third Clutch (Codes AS, CA, L4, ML4A, P1 A4RA, B4RA, BDRA, M4RA, BMXA, SLXA) (110mm OD x 2.00mm x 38T) .	L83-86	3	HON4.FRP01
253A	Third Clutch (Alto) (Codes AS, CA, L4, ML4A, P1 A4RA, B4RA, BDRA, M4RA, BMXA, SLXA) (110mm OD x 2.00mm x 38T) .	L83-86	3	HON4.FRP53
253A	Third Clutch (Alto Hi P Red Eagle®) (Codes AS, CA, L4, ML4A, P1 A4RA, B4RA, BDRA, M4RA, BMXA, SLXA) (110mm OD x 2.00mm x 38T) .	L83-86	3	HON4.FRP67
253A	Third Clutch (Codes F4, K4, PY8A, MY8A, G4, L5, PL5X, MPLA) (116mm OD x 1.90 x 41T) .....	85-98	3-4	HON4.FRP02
253A	Third Clutch (Alto) (Codes F4, K4, PY8A, MY8A, G4, L5, PL5X, MPLA) (116mm OD x 1.90 x 41T) .....	85-98	3-4	HON4.FRP51
<b>STEEL PLATES</b>				
Kit	Steel Plate (Alto) (AK 106mm Frictions).....	83-85	1	HON4.STK57
Kit	Steel Plate (Alto) (AS 110mm Frictions) .....	84-85	1	HON4.STK58
Kit	Steel Plate (Alto) (CA 110mm Frictions).....	86-87	1	HON4.STK59
Kit	Steel Plate (Alto) (L4, ML4A, PI 110mm Frict) .....	88-91	1	HON4.STK61
Kit	Steel Plate (Alto) (116mm Frictions) (G4, L5, PL5X, MPLA) .....	86-91	1	HON4.STK61
Kit	Steel Plate (Alto) (116mm Frictions) (F4, K4, PY8A, MY8A) .....	85-91	1	HON4.STK60
300A	First Clutch (Code AK) (81.70mm ID x 2.00mm x 8T))..	83-85	3	HON3.STP01
300A	First Clutch (Codes AS, CA, A4RA, B4RA, BDRA, M4RA, BMXA, SLXA) (82mm ID x 2.00mm x 8T)).....	84-ON	3	HON4.STP01
300A	First Clutch (Alto Hi P Kolene®) (Codes AS, CA, A4RA, B4RA, BDRA, M4RA, BMXA, SLXA) (82mm ID x 2.00mm x 8T)).....	84-ON	3	HON4.STP28
300A	First Clutch (Codes L4, ML4A, P1) (82mm ID x 1.60mm x 8T)).....	88-91	3	HON4.STP06
300A	Low Clutch (Civic) (82mm ID x 1.60mm x 18T)).....	96-ON	3	HON4.STP18
300A	First Clutch (Codes F4, K4, PY8A, MY8A, G4, L5, PL5X, MPLA) (87.3mm ID x 2.00mm x 10T))... ..	85-98	3-4	HON4.STP02
301A	Second Clutch (Code AK) (81.70mm ID x 2.00mm x 8T))..	83-85	3	HON3.STP01



# HONDA 4 SPEED 2 SHAFT

## 4 SPEED FWD (Electronic & Hydraulic Control)



AUTOMATIC CHOICE

ILL NO.	DESCRIPTION	YEARS	QTY	PART NO
<b>STEEL PLATES Cont...</b>				
301A	Second Clutch (Codes <b>AS, CA, A4RA, P1, L4, ML4A, B4RA, BDRA, M4RA, BMXA, SLXA</b> ) (82mm ID x 2.00mm x 8T).....	84-ON	3	<b>HON4.STP01</b>
301A	Second Clutch (Alto Hi P Kolene®) (Codes <b>AS, CA, A4RA, P1, L4, ML4A, B4RA, BDRA, M4RA, BMXA, SLXA</b> ) (82mm ID x 2.00mm x 8T).....	84-ON	3	<b>HON4.STP28</b>
301A	Second Clutch (Civic) (82mm ID x 2.00mm x 18T).....	96-ON	3	<b>HON4.STP17</b>
301A	Second Clutch (Codes <b>F4, K4, PY8A, MY8A, G4, L5, PL5X, MPLA</b> ) (87.3mm ID x 2.00mm x 10T)...	85-98	3-4	<b>HON4.STP02</b>
302A	Fourth Clutch (Code <b>AK</b> ) (81.70mm ID x 2.00mm x 8T)..	83-85	3	<b>HON3.STP01</b>
302A	Fourth Clutch (Codes <b>AS, CA, A4RA, P1, L4, ML4A, B4RA, BDRA, M4RA, BMXA, SLXA</b> ) (82mm ID x 2.00mm x 8T).....	84-ON	3	<b>HON4.STP01</b>
302A	Fourth Clutch (Alto Hi P Kolene®) (Codes <b>AS, CA, A4RA, P1, L4, ML4A, B4RA, BDRA, M4RA, BMXA, SLXA</b> ) (82mm ID x 2.00mm x 8T).....	84-ON	3	<b>HON4.STP28</b>
302A	Fourth Clutch (Civic) (82mm ID x 2.00mm x 18T).....	96-ON	3	<b>HON4.STP17</b>
302A	Fourth Clutch (Codes <b>F4, K4, PY8A, MY8A, G4, L5, PL5X, MPLA</b> ) (87.3mm ID x 2.00mm x 10T)...	85-98	3-4	<b>HON4.STP02</b>
303A	Third Clutch (Code <b>AK</b> ) (81.70mm ID x 2.00mm x 8T)..	83-85	3	<b>HON3.STP01</b>
303A	Third Clutch (Codes <b>AS, CA, A4RA, P1, L4, ML4A, B4RA, BDRA, M4RA, BMXA, SLXA</b> ) (82mm ID x 2.00mm x 8T).....	84-ON	3	<b>HON4.STP01</b>
303A	Third Clutch (Alto Hi P Kolene®) (Codes <b>AS, CA, A4RA, P1, L4, ML4A, B4RA, BDRA, M4RA, BMXA, SLXA</b> ) (82mm ID x 2.00mm x 8T).....	84-ON	3	<b>HON4.STP28</b>
303A	Third Clutch (Civic) (82mm ID x 2.00mm x 18T).....	96-ON	3	<b>HON4.STP17</b>
303A	Third Clutch (Codes <b>F4, K4, PY8A, MY8A, G4, L5, PL5X, MPLA</b> ) (87.3mm ID x 2.00mm x 10T)...	85-98	3-4	<b>HON4.STP02</b>
<b>PRESSURE PLATES</b>				
Item No's. 400, 401, 402 & 403A				
Clutches With 110mm Frictions				
(2.5mm #2) .....	84-ON	AR		<b>HON4.PP25</b>
(2.6mm #3) .....	84-ON	AR		<b>HON4.PP26</b>
(2.8mm #5) .....	84-ON	AR		<b>HON4.PP28</b>
(3.0mm #7) .....	84-ON	AR		<b>HON4.PP30</b>
(3.2mm #9) .....	84-ON	AR		<b>HON4.PP32</b>
Clutches With 116mm Frictions				
(2.10mm # 1) .....	85-98	AR		<b>HON4.PP01</b>
(2.20mm # 2) .....	85-98	AR		<b>HON4.PP02</b>
(2.30mm # 3) .....	85-98	AR		<b>HON4.PP03</b>
(2.40mm # 4) .....	85-98	AR		<b>HON4.PP04</b>
(2.50mm # 5) .....	85-98	AR		<b>HON4.PP05</b>
(2.60mm # 6) .....	85-98	AR		<b>HON4.PP06</b>
(2.70mm # 7) .....	85-98	AR		<b>HON4.PP07</b>
(2.80mm # 8) .....	85-98	AR		<b>HON4.PP08</b>
(2.90mm # 9) .....	85-98	AR		<b>HON4.PP09</b>
(3.00mm #10) .....	85-98	AR		<b>HON4.PP10</b>
(3.10mm #11).....	85-98	AR		<b>HON4.PP11</b>
(3.20mm #12) .....	85-98	AR		<b>HON4.PP12</b>
(3.30mm #13) .....	85-98	AR		<b>HON4.PP13</b>
(3.40mm #14) .....	85-98	AR		<b>HON4.PP14</b>

ILL NO.	DESCRIPTION	YEARS	QTY	PART NO
<b>SPRINGS &amp; CIRCLIPS</b>				
Items	410A, 413A, 414A & 417A Dished Cushion Spring (110mm Clutches).....	86-ON	1	<b>HON4.DIA04</b>
Items	410A, 413A, 414A & 417A Dished Cushion Spring (116mm Clutches).....	86-ON	1	<b>HON4.DIA01</b>
Items	410A, 413A, 414A & 417A Waved Cushion Spring (116mm Clutches).....	86-ON	1	<b>HON4.DIA02</b>
412A	Piston Return Spring (Second Clutch <b>L5</b> Rover) .....	88-91	1	<b>HON4.SPR02</b>
NI	Spring, Reverse Accumulator ( <b>G4</b> Rover) .....	86-87	1	<b>HON4.SPR01</b>
NI	Spring, Clutch Pressure Control Valve (Civic <b>A4RA, B4RA, M4RA</b> ) (Sonnax) .....	96-99	1	<b>HON4.SPR03</b>
433A	Circlip, 2nd Clutch Spring Retainer Thick Wall (Rover 827) .....	88-ON	1	<b>HON4.CIR01</b>
<b>FILTERS</b>				
450E	Filter, Oil Pick Up ( <b>AK, AS, CA, F4</b> ) .....	82-87	1	<b>HON4.FIL01</b>
450E	Filter, Oil Pick Up ( <b>L4, ML4A, A4RA, B4RA, BDRA, M4RA, BMXA, SLXA</b> )..	84-ON	1	<b>HON4.FIL17</b>
450E	Filter, Oil Pick Up ( <b>G4, L5, PL5X, MPLA</b> ) .....	86-ON	1	<b>HON4.FIL02</b>
450E	Filter, Oil Pick Up ( <b>MY8A, PY8A</b> ) .....	90-91	1	<b>HON4.FIL12</b>
NI	Rover External Filter Shift Solenoid.....	88-ON	1	<b>HON4.FIL04</b>
NI	Rover External Filter Lock-up Solenoid.....	88-ON	1	<b>HON4.FIL05</b>
<b>BUSHINGS</b>				
Kit	Mainshaft Internal Bush Kit.....	86-ON	1	<b>HON4.BK01</b>
550B	2nd Gear to Mainshaft Bush * Replaces Bearing ( <b>AS, AK, F4, K4</b> ) .....	82-ON	1	<b>HON4.BUS01</b>
550B	2nd Gear to Mainshaft Bush * Replaces Bearing ( <b>G4, L5, PL5X, MPLA</b> ) .....	86-ON	1	<b>HON4.BUS02</b>
550B	2nd Gear to Mainshaft Bush * Replaces Bearing ( <b>L4, PI, CA</b> ).....	86-ON	1	<b>HON4.BUS03</b>
*These Solid Bronze Bushes press fit onto Mainshaft and are designed to save a mainshaft that has been damaged by original roller bearing.				
<b>THRUST WASHERS &amp; BEARINGS</b>				
600B	Selective Race 36.50mm x 51mm 2nd Clutch Drum to Bearing (4.00mm) (Rover 825) .....	82-87	AR	<b>HON4.THW02</b>
	(4.20mm) (Rover 825) .....	82-87	AR	<b>HON4.THW06</b>
	(4.30mm) (Rover 825) .....	82-87	AR	<b>HON4.THW08</b>
	(4.40mm) (Rover 825) .....	82-87	AR	<b>HON4.THW10</b>



THE AUTOMATIC TRANSMISSION PARTS WAREHOUSE

# HONDA 4 SPEED 2 SHAFT

## 4 SPEED FWD (Electronic & Hydraulic Control)



AUTOMATIC CHOICE



THE AUTOMATIC TRANSMISSION PARTS WAREHOUSE

ILL NO.	DESCRIPTION	YEARS	QTY	PART NO
<b>THRUST WASHERS &amp; BEARINGS Cont...</b>				
600B	Selective Race 36.5mm x 55mm 2nd Clutch Drum to Bearing (4.00mm) (Rover 827) .....	88-ON	AR	<b>HON4.THW13</b>
	(4.10mm) (Rover 827) .....	88-ON	AR	<b>HON4.THW15</b>
	(4.20mm) (Rover 827) .....	88-ON	AR	<b>HON4.THW17</b>
	(4.30mm) (Rover 827) .....	88-ON	AR	<b>HON4.THW19</b>
	(4.40mm) (Rover 827) .....	88-ON	AR	<b>HON4.THW21</b>
601B	Thrust Washer, 4th Gear to 2nd & 4th Clutch Drum (Rover 825 <b>G4</b> ) .....	82-87	1	<b>HON4.THW01</b>
602B	Thrust Washer, 4th Gear to Case Bearing (Rover 825 <b>G4</b> ) .....	82-87	1	<b>HON4.THW12</b>
605D	Thrust Washer, Low Clutch Drum (Rover 825 <b>G4</b> ) .....	82-87	1	<b>HON4.THW11</b>
650B	Thrust Bearing 2 <sup>nd</sup> Gear to Mainshaft (57mm x 42mm x 2.00mm) .....	86-ON	1	<b>HON4.TOR01</b>
651B	Roller Bearing 2 <sup>nd</sup> Gear (41mm x 18mm).....	86-ON	1	<b>HON4.BE11</b>
652B	Thrust Bearing 2 <sup>nd</sup> Gear to Clutch Drum (55mm x 37mm x 2.00mm).....	86-ON	1	<b>HON4.TOR02</b>
652B	Thrust Bearing 2 <sup>nd</sup> Gear to Clutch Drum (V6 & Modified Drum) (55mm x 36mm x 2.50mm).....	86-ON	1	<b>HON4.TOR08</b>
652B	Thrust Washer, Modified (Bronze) Replaces Radial Needle Bearing (51.50mm OD x 2.10mm Thick) <b>(AK, AS, F4, L4, CA, PI)</b> .....	84-ON	1	<b>HON4.THW30</b>
652B	Thrust Washer, Modified (Bronze) Replaces Radial Needle Bearing (55.50mm OD x 2.57mm Thick) <b>(G4, K4, L5, PL5X, MPLA)</b> .....	86-ON	1	<b>HON4.THW31</b>
<b>ELECTRICAL COMPONENTS</b>				
700F	Shift Solenoid Set (OEM) (Rover 827 <b>L5, MPLA, PL5X</b> ) ..	88-ON	1	<b>HON4.SOL01</b>
701F	Lock-Up Solenoid Set (OEM) (Rover 827 <b>L5, MPLA, PL5X</b> ) ..	88-ON	1	<b>HON4.SOL02</b>
<b>VALVE BODY PARTS</b>				
<b>HARD PARTS</b>				
803A	2nd Clutch Spring Retainer (Rover 827 <b>L5, MPWA</b> ) .....	88-ON	1	<b>HON4.RET01</b>
804A	2nd Clutch Piston 116mm Friction (43mm I.D.) (Rover 827).....	88-ON	1	<b>HON4.PIS01</b>
812B	2nd Gear Mainshaft (Rover 825 <b>G4</b> ) .....	82-87	1	<b>HON4.GE06</b>
812B	2nd Gear Mainshaft (Rover 827 <b>L5, MPYA</b> ).....	88-ON	1	<b>HON4.GE10</b>
815B	4th Gear Mainshaft (Rover 825 <b>G4</b> ) .....	82-87	1	<b>HON4.GE07</b>
815B	4th Gear Mainshaft (Rover 827 <b>L5, MPYA</b> ).....	88-ON	1	<b>HON4.GE11</b>
815B	4th Gear Mainshaft (Rover 416 SOHC) .....	88-ON	1	<b>HON4.GE20</b>
818C	3rd Gear Counter Shaft (Rover 825 <b>G4</b> ) .....	82-87	1	<b>HON4.GE01</b>
818C	3rd Gear Counter Shaft (Rover 216 SOHC) .....	91-ON	1	<b>HON4.GE21</b>
818C	3rd Gear Counter Shaft (Rover 216 DOHC) .....	91-ON	1	<b>HON4.GE22</b>
819C	2nd Gear Counter Shaft (Rover 825 <b>G4</b> ) .....	82-87	1	<b>HON4.GE02</b>

ILL NO.	DESCRIPTION	YEARS	QTY	PART NO
<b>HARD PARTS Cont...</b>				
821C	4th Gear Counter Shaft (Rover 825 <b>G4</b> ).....	82-87	1	<b>HON4.GE04</b>
821C	4th Gear Counter Shaft (Rover 827 <b>L5, MPYA</b> ).....	88-10/91	1	<b>HON4.GE12</b>
822C	Reverse Selector Sleeve (Rover 825 <b>G4</b> ) .....	82-87	1	<b>HON4.SEL02</b>
822C	Reverse Selector Sleeve (Rover 827 <b>L5</b> ).....	88-10/91	1	<b>HON4.SEL04</b>
823C	Reverse Selector Fork (Rover 825 <b>G4</b> ) .....	82-87	1	<b>HON4.SEL01</b>
823C	Reverse Selector Fork (Rover 827 <b>L5</b> ).....	88-10/91	1	<b>HON4.SEL03</b>
824C	Reverse Hub (Rover 825 <b>G4</b> ) ...	82-87	1	<b>HON4.GE08</b>
825C	Rev Gear Counter Shaft (Rover 825 <b>G4</b> ) .....	82-87	1	<b>HON4.GE03</b>
829D	Mainshaft Nut Rover <b>(G4, L5, MPLA)</b> .....	82-ON	1	<b>HON4.NUT01</b>
829D	Mainshaft Nut (Rover 216/416, <b>L4, ML4A</b> ).....	89-92	1	<b>HON4.NUT04</b>
829D	Mainshaft Nut (L/Hand Thread) <b>(AK, AS, CA, F4)</b> .....	83-ON	1	<b>HON4.NUT06</b>
831D	Low Gear Mainshaft (Rover 825 <b>G4</b> ) .....	82-87	1	<b>HON4.GE05</b>
834D	Countershaft Nut Rover <b>(G4)</b> .....	82-86	1	<b>HON4.NUT02</b>
834D	Countershaft Nut Rover <b>(L5, MPLA)</b> .....	88-ON	1	<b>HON4.NUT03</b>
834D	Countershaft Nut (Rover 216/416, <b>L4, ML4A</b> ).....	89-92	1	<b>HON4.NUT05</b>
834D	Countershaft Nut (R/Hand Thread) <b>(AK, AS, CA, F4)</b> .....	83-ON	1	<b>HON4.NUT07</b>
840F	Reverse Idler Gear (Rover 825 <b>G4</b> ) .....	82-87	1	<b>HON4.GE09</b>
NI	Modified Diff Cross Pin (Rover 827 <b>L5, MPWA</b> ) .....	88-ON	1	<b>HON4.PIN01</b>
<b>SPECIAL ITEMS</b>				
<b>TOOLS &amp; MANUALS</b>				
NI	ATSG Rebuild Manual (4 Speed Hydraulic Control) .....		1	<b>HON4.MAN01</b>
NI	ATSG Rebuild Manual (4 Speed Electronic Control).....		1	<b>HON4.MAN02</b>
NI	ATSG Rebuild Manual (Honda Legend & Rover 827 <b>L5</b> )		1	<b>HON4.MAN03</b>
NI	Rover Rebuild Manual (Rover 216 & 416 <b>L4</b> ) .....		1	<b>HON4.MAN09</b>