

HONDA 3 SPEED

3 SPEED FWD (Hydraulic Control)

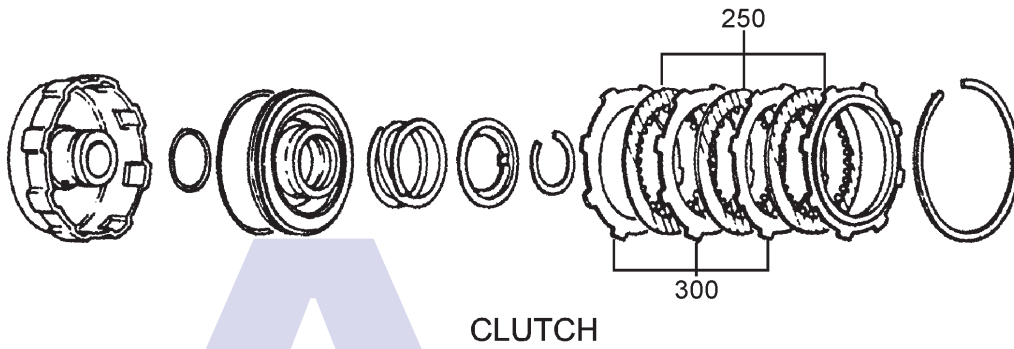


AUTOMATIC CHOICE



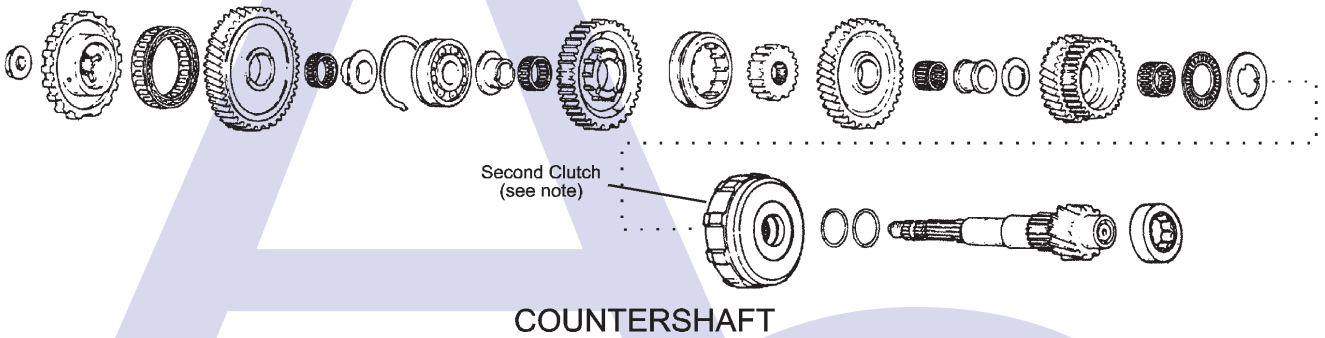
THE AUTOMATIC TRANSMISSION PARTS WAREHOUSE

A



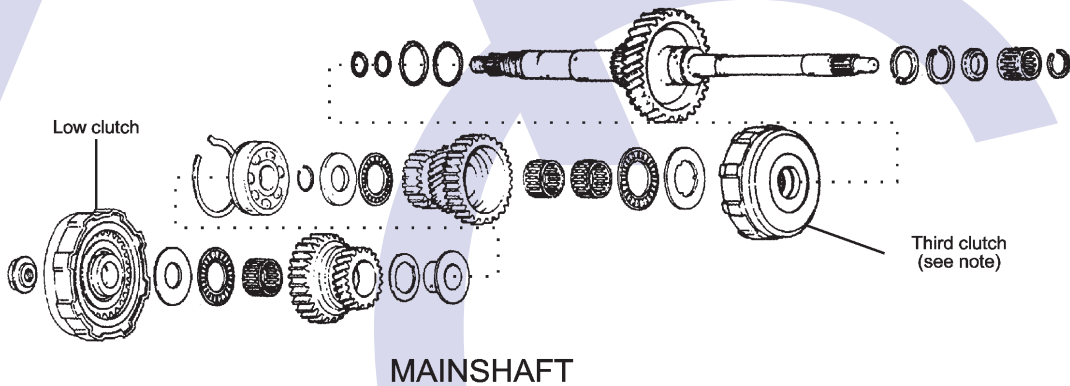
CLUTCH

B



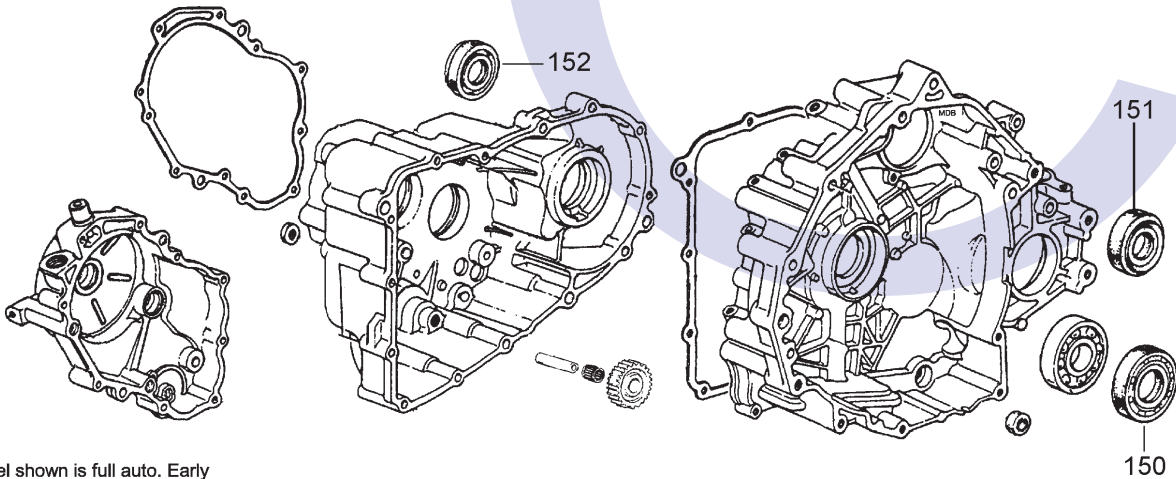
COUNTERSHAFT

C



MAINSHAFT

D



CASES

Note model shown is full auto. Early semi auto models swap second and third clutch

HONDA 3 SPEED

3 SPEED FWD (Hydraulic Control)



AUTOMATIC CHOICE



THE AUTOMATIC TRANSMISSION PARTS WAREHOUSE

ILL NO.	DESCRIPTION	YEARS	QTY	PART NO
KITS				
Kit	Master Overhaul	80-84	1	HON3.MOHK01
Kit	Overhaul Kit (Transtec) With and Without Lock Up	80-ON	1	HON3.OHK01
Kit	Overhaul Kit (Precision) (Prelude, Accord, CRX 3 Spd) ..	80-85	1	HON3.OHK51
Note: Some Late Units may use 110mm Plates				
GASKETS				
RUBBER COMPONENTS				
Kit	'O' Ring (Clutch Piston Outer)...	80-ON	1	HON3.ORK01
SEALS				
150D	Converter (Pump)	80-ON	1	HON3.MCS01
151D	Axle Shaft Left (68.3mm O.D.)	80-ON	1	HON3.MCS02
152D	Axle Shaft Right (56.2mm O.D.)	80-ON	1	HON3.MCS03
SEALING RINGS				
FRICTION PLATES				
Kit	Friction Plate (Alto)	76-85	1	HON3.FRK51
250A	All Clutch Packs (106mm OD x 1.90mm x 38T) ..	76-85	9	HON3.FRP01
250A	Some Late Units May Use 110mm Clutch Plates (110mm OD x 1,90mm x 38T) ..	86-ON	9	HON4.FRP01
STEEL PLATES				
Kit	Steel Plate (Alto)	76-85	1	HON3.STK51
300A	All Clutch Packs (81.8mm ID x 2.00mm x 8T)	76-85	9	HON3.STP01
300A	Some Late Units May Use 110mm Clutch Plates (82mm ID x 2.00mm x 8T)	86-ON	9	HON4.STP01
BEARINGS & THRUSTS				
FILTERS				
NI	Filter	80-ON	1	HON3.FIL01

ILL NO.	DESCRIPTION	YEARS	QTY	PART NO
ONE WAY CLUTCHES				
SUNDRY PARTS				
HARD PARTS				