

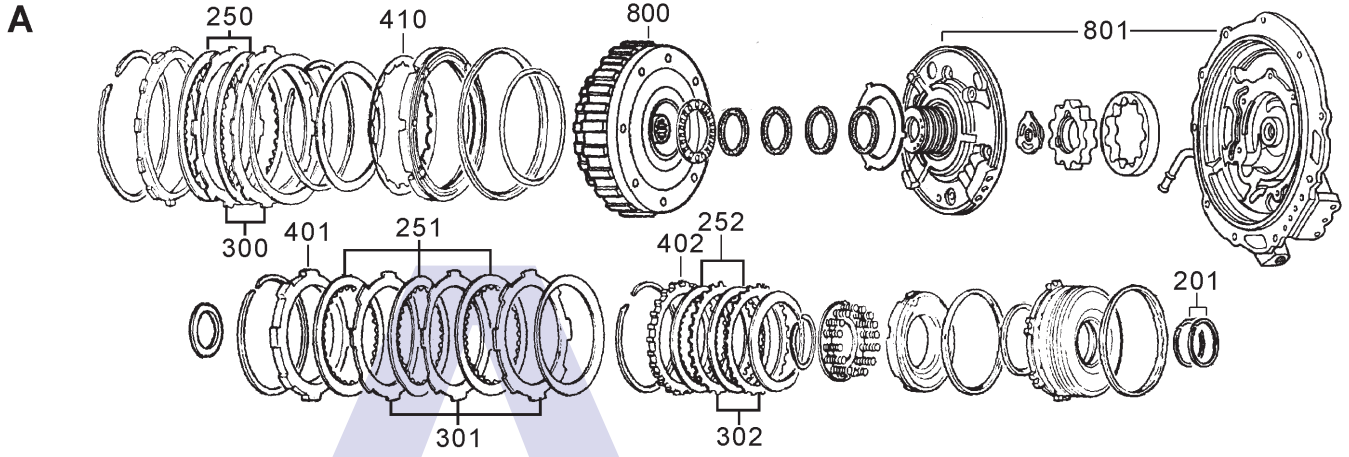
MAZDA, FORD JATCO F4A-EL, 4EAT 4 SPEED FWD (Electronic Control)



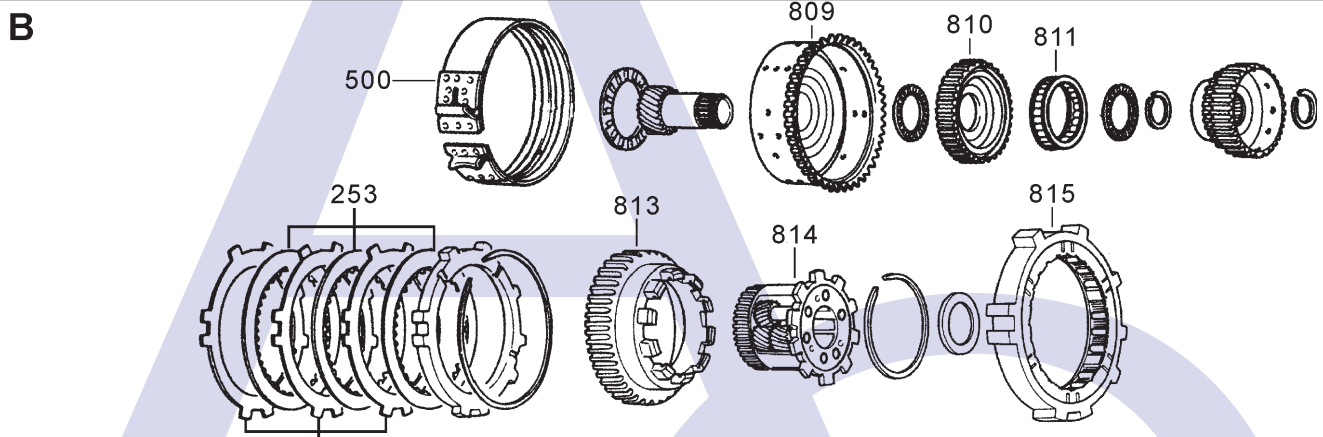
AUTOMATIC CHOICE



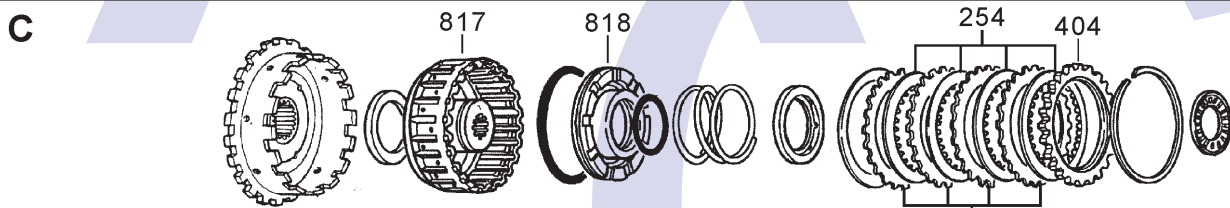
THE AUTOMATIC TRANSMISSION PARTS WAREHOUSE



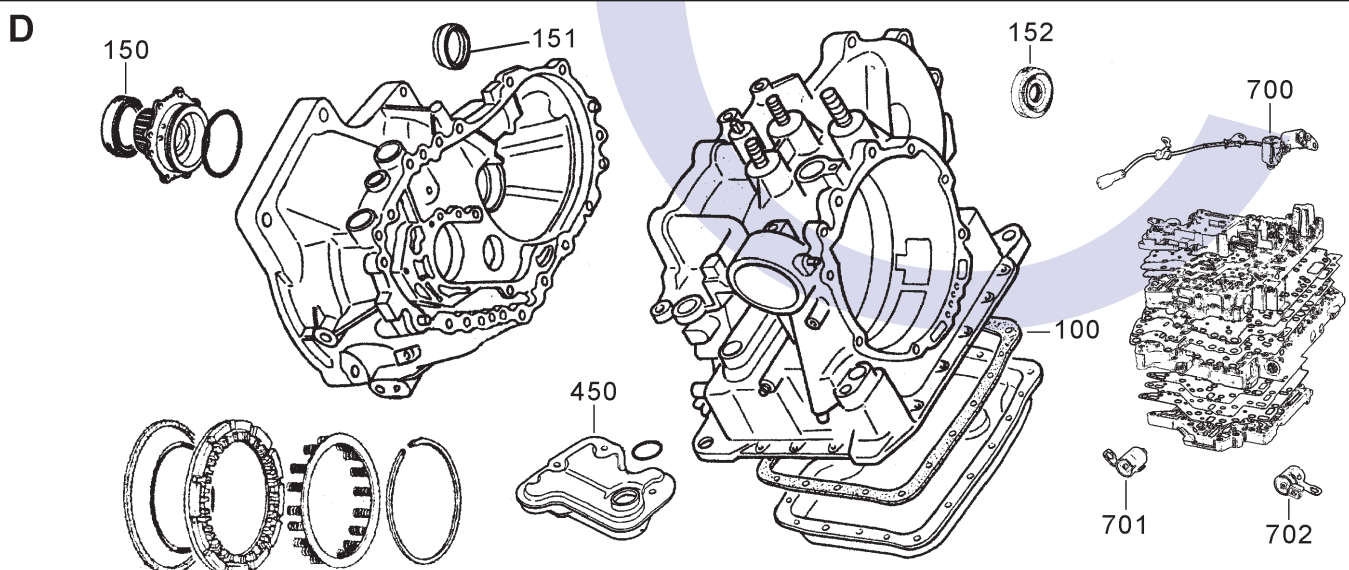
Reverse, Forward and Coast Clutches



Low Reverse Clutch and Planetary Set



3-4 Clutch and Output Hub



Cases, Oil Pan, Filter and Valve Body

MAZDA, FORD JATCO F4A-EL, 4EAT 4 SPEED FWD (Electronic Control)



AUTOMATIC CHOICE



THE AUTOMATIC TRANSMISSION PARTS WAREHOUSE

ILL NO.	DESCRIPTION	YEARS	QTY	PART NO
KITS				
Kit	Master Overhaul	90-ON	1	F4A.MOHK01
Kit	Overhaul Kit (Transtec) (F4A-EL, 4AET)	90-ON	1	F4A.OHK01
Kit	Overhaul Kit (Precision) (F4A-EL, 4AET)	90-96	1	F4A.OHK51
Kit	Overhaul Kit (Precision) (F4A-EL, 4AET)	97-ON	1	F4A.OHK52
Kit	Valve Body Gasket.....	90-97	1	F4A.GK01
Kit	Valve Body Gasket.....	97-ON	1	F4A.GK02
GASKETS				
100D	Pan Gasket	90-ON	1	F4A.GAS01
NI	Pump Gasket	90-ON	1	F4A.GAS02
RUBBER COMPONENTS				
METAL CLAD SEALS				
150D	Pump Seal	90-ON	1	G4A.MCS01
151D	Axle Seal Right Hand.....	90-ON	1	F3A.MCS02
152D	Axle Seal Left Hand	90-ON	1	F3A.MCS02
MOULDED PISTONS				
SEALING RINGS				
Kit	Sealing Ring Kit	90-ON	1	F4A.SRK01
201A	Forward Clutch Inner Sealing Ring	90-ON	1	F4A.SSR01
FRICITION PLATES				
Kit	Friction Plate (Aftermarket).....	90-ON	1	F4A.FRK01
Kit	Friction Plate (Alto) (F4A-EL, 4EAT).....	90-99	1	F4A.FRK51
250A	Reverse Input Clutch (175mm OD x 1.60mm x 45T) ..	90-ON	2	F4A.FRP03
251A	Forward Clutch (127mm OD x 1.60mm x 42T) ..	90-ON	3	F4A.FRP01
252A	Coast Clutch (114mm OD x 1.60mm x 16T)...	90-ON	2	F4A.FRP02
253B	Low Clutch (180mm OD x 1.60mm x 48T) ..	90-ON	4	F4A.FRP06
254C	3-4 Clutch O/D (109mm OD x 1.60mm x 22T) ..	90-ON	4	F4A.FRP04
STEEL PLATES				
Kit	Steel Plate.....	90-ON	1	F4A.STK01
Kit	Steel Plate (Alto) (F4A-EL, 4EAT).....	90-91	1	F4A.STK52
Kit	Steel Plate (Alto) (F4A-EL, 4EAT).....	91-94	1	F4A.STK51

ILL NO.	DESCRIPTION	YEARS	QTY	PART NO
STEEL PLATES Cont...				
Kit	Steel Plate (Alto) (F4A-EL, 4EAT).....	95-99	1	F4A.STK53
300A	Reverse Input Clutch (161mm ID x 1.60mm x 32T)	90-ON	2	F4A.STP03
301A	Forward Clutch (110mm ID x 1.60mm x 32T)	90-ON	3	F4A.STP01
302A	Coast Clutch (99mm ID x 1.60mm x 26T)	90-ON	2	F4A.STP02
303B	Low Clutch (167mm ID x 1.60mm x 16T)	90-ON	4	F4A.STP08
304C	3-4 Clutch (93mm ID x 1.60mm x 38T)	90-ON	4	F4A.STP04
304C	3-4 Clutch (93mm ID x 1.80mm x 38T)	90-ON	4	F4A.STP05
304C	3-4 Clutch (93mm ID x 2.30mm x 38T)	90-ON	4	F4A.STP06
PRESSURE PLATES				
401A	Pressure Plate Forward Clutch.	90-ON	1	F4A.PP01
402A	Pressure Plate Coast Clutch.....	90-ON	1	F4A.PP02
404C	Pressure Plate 3-4 Clutch (3.3mm Thick)	90-ON	1	F4A.STP07
SPRINGS & CIRCLIPS				
410A	Reverse Clutch Dia Spring.....	90-ON	1	F4A.DIA01
FILTERS				
450D	Filter Mazda	90-ON	1	F4A.FIL01
450D	Filter Ford 4EAT With Tube.....	93-ON	1	F4A.FIL02
BANDS				
500B	Band.....	90-ON	1	F4A.BAN01
BUSHINGS				
Kit	Bush Kit.....	90-ON	1	F4A.BK01
THRUST WASHERS & BEARINGS				
NI	Idle Gear Bearing.....	90-ON	2	F4A.BE01
ELECTRICAL COMPONENTS				
Kit	Shift & L/Up Solenoid Set (4)....	90-96	1	F4A.SOL01
700D	2-3 and 3-4 Soleniods (2 Solenoids Wired Together) ...	90-ON	1	F4A.SOL04
701D	Lock Up Solenoid.....	90-ON	1	F4A.SOL02
702D	1-2 Shift Solenoid.....	90-ON	1	F4A.SOL03
NI	EPC Solenoid.....	97-ON	1	F4A.SOL05
NI	Speed Sensor (Elec/Mech).....	90-ON	1	F4A.ELE01

MAZDA, FORD JATCO F4A-EL, 4EAT 4 SPEED FWD (Electronic Control)



A
U
T
O
M
A
T
I
C
C
H
O
I
C
E



T
H
E
A
U
T
O
M
A
T
I
C
T
R
A
N
S
M
I
S
S
I
O
N
P
A
R
T
S
W
A
R
E
H
O
U
S
E

ILL NO.	DESCRIPTION	YEARS	QTY	PART NO
VALVE BODY PARTS				
Kit	Valve Body Calibration Kit.....	90-ON	1	F4A.SK01
Kit	Pump Modification Valve Kit (TransGo®)	90-ON	1	F4A.VA01
Kit	Pump Flow Modification Kit (Sonnax® Click here for Info) ...	90-ON	1	F4A.PUM02
Kit	Oversize Pressure Regulator Valve (Requires Tool F4A.VA03) (Sonnax® Click here for Info) ...	90-ON	1	F4A.VA02
Kit	Tool Kit for F4A.VA02.....	90-ON	1	F4A.VA03
Kit	Oversize Pressure Modifier Valve (Requires Tool F4A.VA05) (Sonnax® Click here for Info) ...	97-ON	1	F4A.VA04
Kit	Tool Kit for F4A.VA04.....	97-ON	1	F4A.VA05
HARD PARTS				
800A	Rev & Forward Clutch Drum.....	90-ON	1	F4A.DRU04
801A	Pump Assy (W/O Mounting Bolts).....	91-ON	1	F4A.PUM01
809B	Sungear & Band Drum Assy	90-ON	1	F4A.DRU02
810B	Inner Race & Hub (No Sprag) Forward One Way Clutch.....	90-ON	1	F4A.OWC06
811B	Input Sprag (24 Element).....	90-ON	1	F4A.OWC04
813B	Inner Race Low OWC (18 Rollers)	90-ON	1	F4A.OWC03
814B	Planetary Assembly	90-ON	1	F4A.PL01
815B	OWC Low Reverse Outer (18 Rollers)	90-ON	1	F4A.OWC05
817C	3-4 Clutch Drum.....	90-ON	1	F4A.DRU01
818C	3-4 Clutch Piston.....	90-ON	1	F4A.PIS01
NI	Turbine Shaft	90-ON	1	F4A.SH01
SPECIAL ITEMS				
TOOLS & MANUALS				
NI	ATSG Repair Manual.....	90-ON	AR	F4A.MAN01
Click here to view special tools for this transmission				

ILL NO.	DESCRIPTION	YEARS	QTY	PART NO