

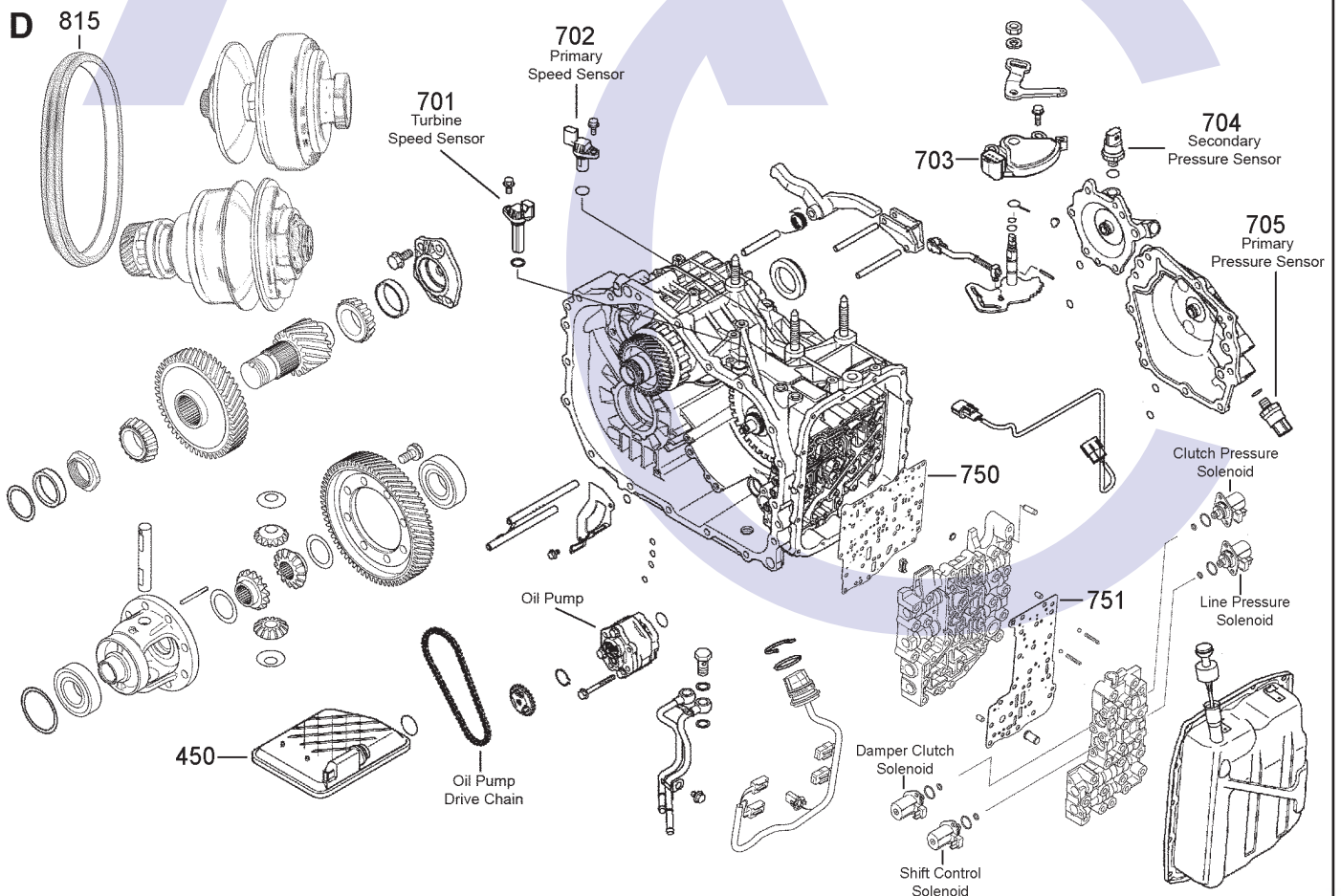
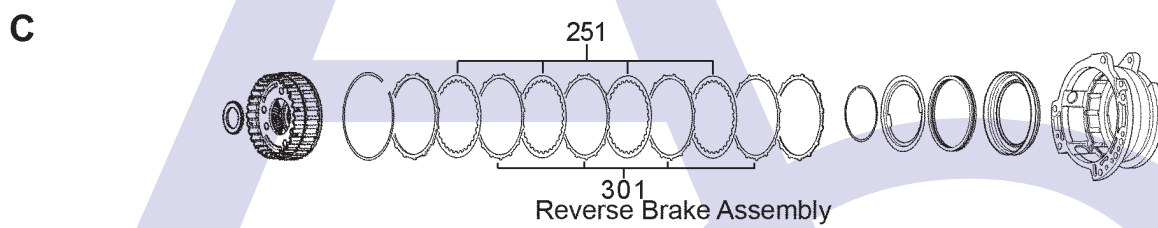
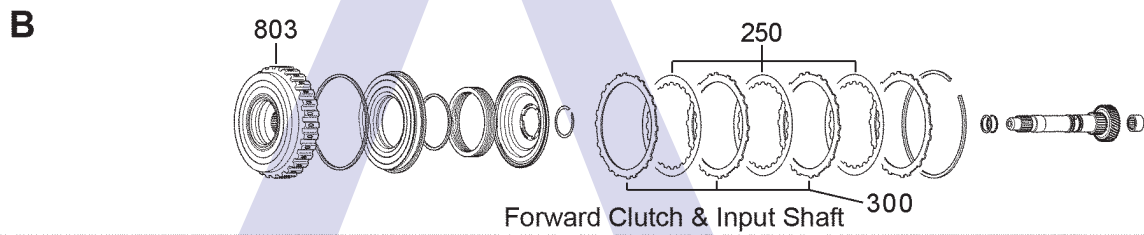
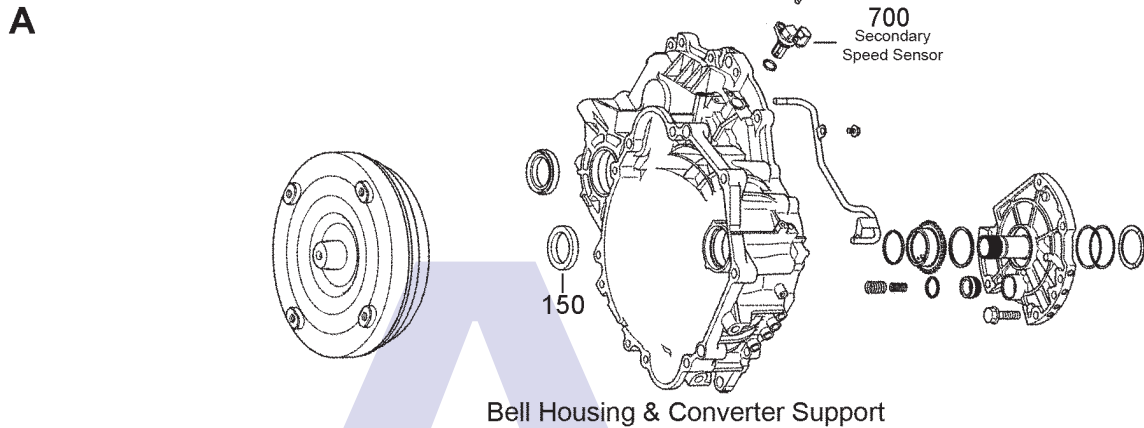
# Jatco F1C1 (Mitsubishi Colt, Lancer, Cedia) FWD CVT (Electronic Control with Torque Converter)



AUTOMATIC CHOICE



THE AUTOMATIC TRANSMISSION PARTS WAREHOUSE



# Jatco F1C1 (Mitsubishi Colt, Lancer, Cedia) FWD CVT (Electronic Control with Torque Converter)



AUTOMATIC CHOICE



THE AUTOMATIC TRANSMISSION PARTS WAREHOUSE

ILL NO.	DESCRIPTION	YEARS	QTY	PART NO
<b>KITS</b>				
Kit	Overhaul Kit (Transtec).....	07-ON	1	<b>F1C1.OHK01</b>
Kit	Overhaul Kit (Precision).....	07-ON	1	<b>F1C1.OHK51</b>
<b>GASKETS</b>				
750D	Valve Body Lower (Internal Bonded Plate).....	07-ON	1	<b>F1C1.VB02</b>
751D	Valve Body Upper (Internal Bonded Plate).....	07-ON	1	<b>F1C1.VB03</b>
<b>RUBBER COMPONENTS</b>				
<b>METAL CLAD SEALS</b>				
150A	Converter to Front Cover .....	07-ON	1	<b>F1C1.MCS01</b>
<b>MOULDED PISTONS</b>				
<b>SEALING RINGS</b>				
<b>FRICTION PLATES</b>				
250B	Forward Clutch (135.5mm OD x 1.45mm x 30T) .....	07-ON	3-4	<b>F1C1.FRP02</b>
251C	Reverse Brake (136mm OD x 1.70mm x 30T) ..	07-ON	2-4	<b>F1C1.FRP01</b>
<b>STEEL PLATES</b>				
300B	Forward Clutch (126mm ID x 0.09mm x 15T) ....	07-ON	3-4	<b>F1C1.STP01</b>
301C	Reverse Brake (118mm ID x 2.50mm x 20T) ....	07-ON	2-4	<b>KMF4A.STP05</b>
<b>PRESSURE PLATES</b>				
<b>SPRINGS &amp; CIRCLIPS</b>				
<b>FILTERS</b>				
450D	Pick Up Filter.....	07-ON	1	<b>F1C1.FIL01</b>
NI	Internal Valve Body Filter .....	07-ON	AR	<b>F1C1.FIL02</b>
NI	Internal Valve Body Filter .....	07-ON	AR	<b>F1C1.FIL03</b>
NI	Internal Valve Body Filter .....	07-ON	AR	<b>F1C1.FIL04</b>

ILL NO.	DESCRIPTION	YEARS	QTY	PART NO
<b>BUSHINGS</b>				
<b>THRUST WASHERS &amp; BEARINGS</b>				
NI	Bearing (45mm x 85mm x 19mm).....	07-ON	AR	<b>F1C1.BE01</b>
NI	Bearing (30mm x 55mm x 13mm).....	07-ON	AR	<b>F1C1.BE02</b>
NI	Bearing (45mm x 90mm x 20mm).....	07-ON	AR	<b>F1C1.BE03</b>
<b>ELECTRICAL COMPONENTS</b>				
700A	Secondary Speed Sensor.....	07-ON	1	<b>F1C1.ELE03</b>
701D	Turbine Speed Sensor .....	07-ON	1	<b>F1C1.ELE02</b>
702D	Primary Speed Sensor.....	07-ON	1	<b>F1C1.ELE03</b>
703D	Range Switch.....	07-ON	1	<b>F1C1.ELE01</b>
704D	Secondary Pressure Sensor.....	07-ON	1	<b>F1C1.ELE04</b>
705D	Primary Pressure Sensor.....	07-ON	1	<b>F1C1.ELE04</b>
<b>VALVE BODY PARTS</b>				
750D	Valve Body Lower Separator Plate (Bonded) .....	07-ON	1	<b>F1C1.VB02</b>
751D	Valve Body Upper Separator Plate (Bonded) .....	07-ON	1	<b>F1C1.VB03</b>
<b>HARD PARTS</b>				
803B	Drum, Forward Clutch (Mitsubishi Cedia) .....	07-ON	1	<b>F1C1.DRU01</b>
815D	Drive Belt .....	07-ON	1	<b>CTX.CH01</b>
<b>SPECIAL ITEMS</b>				
<b>TOOLS &amp; MANUALS</b>				