

# E40D, 4R100

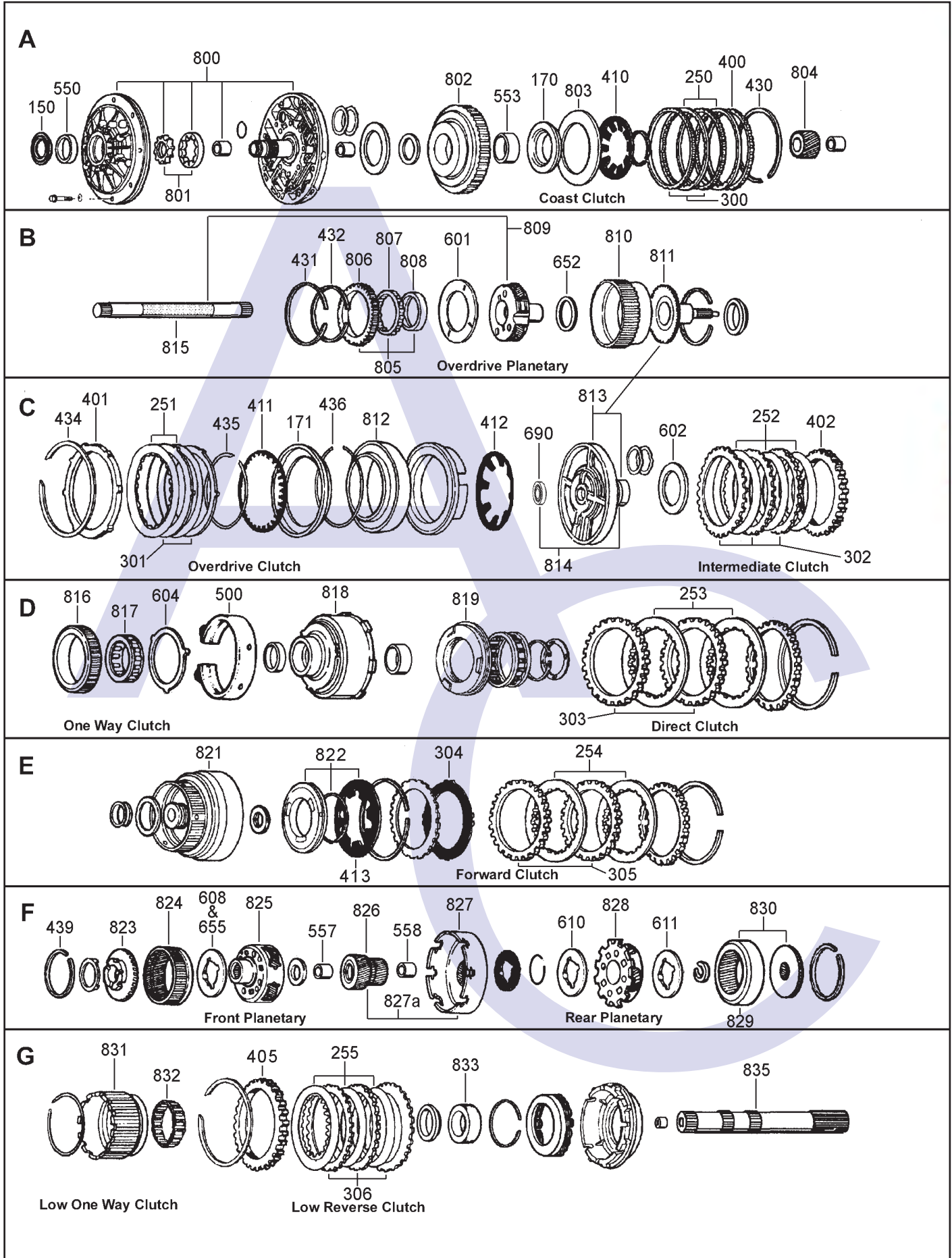
## 4 SPEED RWD (Electronic Control)



AUTOMATIC CHOICE



THE AUTOMATIC TRANSMISSION PARTS WAREHOUSE



# E40D, 4R100

## 4 SPEED RWD (Electronic Control)

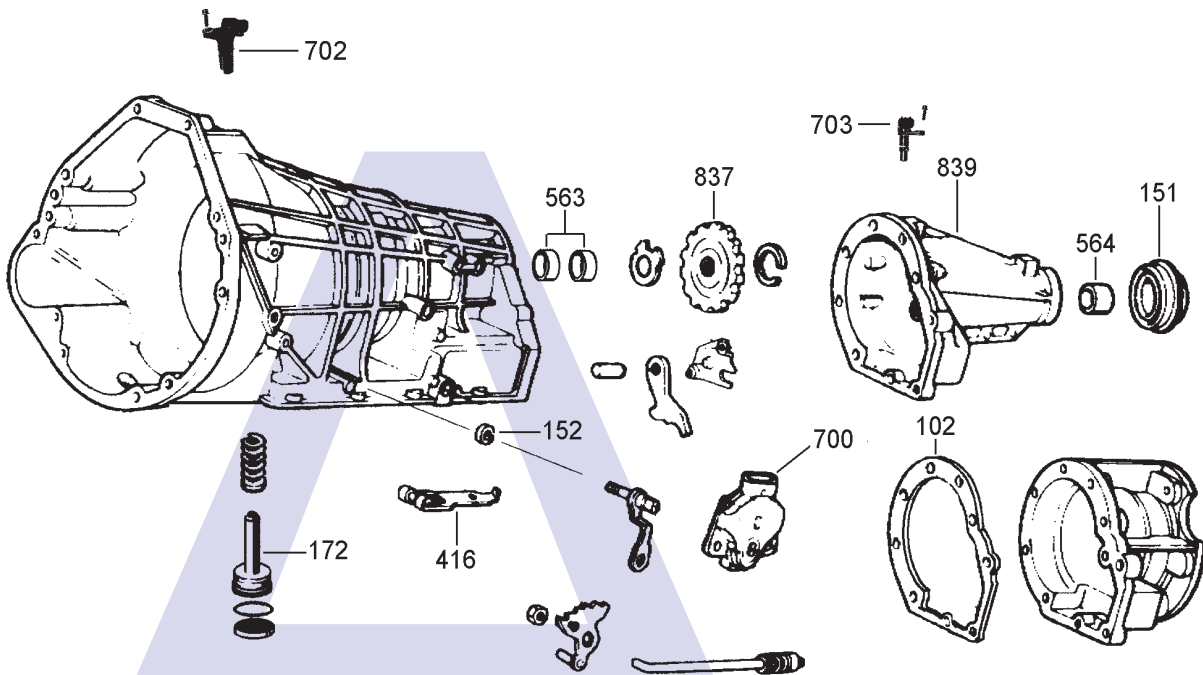


AUTOMATIC CHOICE

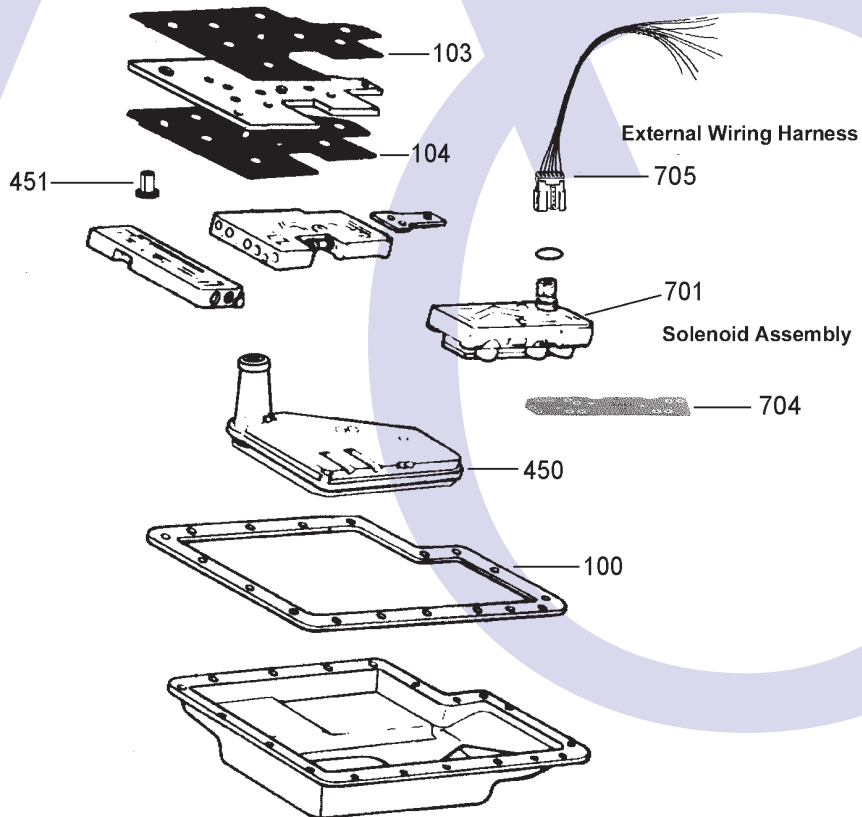


THE AUTOMATIC TRANSMISSION PARTS WAREHOUSE

H



J



# E40D, 4R100

## 4 SPEED RWD (Electronic Control)



AUTOMATIC CHOICE



THE AUTOMATIC TRANSMISSION PARTS WAREHOUSE

ILL NO.	DESCRIPTION	YEARS	QTY	PART NO
<b>KITS</b>				
Kit	Overhaul (E40D) (Transtec).....	89-95	1	<b>E40D.OHK01</b>
Kit	Overhaul (E40D) (Precision).....	89-95	1	<b>E40D.OHK51</b>
Kit	Overhaul (E40D/4R100) (Transtec).....	96-ON	1	<b>E40D.OHK02</b>
Kit	Overhaul (E40D/4R100) (Precision).....	96-98	1	<b>E40D.OHK52</b>
NI	Sonnax 'Sure Cure Kit'.....	89-ON	1	<b>E40D.SCK01</b>
<b>GASKETS</b>				
100J	Pan Gasket .....	89-95	1	<b>E40D.GAS01</b>
100J	Pan Gasket (Bonded Rubber)...	96-ON	1	<b>E40D.GAS02</b>
NI	Pump Gasket .....	89-ON	1	<b>E40D.GAS03</b>
NI	Centre Support.....	89-ON	1	<b>E40D.GAS11</b>
102H	Extension Housing.....	89-ON	1	<b>E40D.GAS07</b>
103J	Valve Body Upper (No Stripe).....	89-Only	1	<b>E40D.GAS04</b>
103J	Valve Body Upper (White Stripe).....	98-ON	1	<b>E40D.GAS06</b>
104J	Valve Body Lower (Lt Blue Stripe).....	98-ON	1	<b>E40D.GAS05</b>
<b>RUBBER COMPONENTS</b>				
NI	Front Pump Outer Lathe Cut.....	89-ON	1	<b>E40D.SQR01</b>
<b>METAL CLAD SEALS</b>				
150A	Converter to Pump.....	89-ON	1	<b>E40D.MCS01</b>
151H	Extension Housing (With Boot) .....	89-ON	1	<b>C6.MCS02</b>
151H	Extension Housing (4R100) (81.00mm O. D.) .....	98-ON	1	<b>E40D.MCS03</b>
152H	Selector Shaft .....	98-ON	1	<b>C3.MCS03</b>
<b>MOULDED PISTONS</b>				
170A	Coast Clutch .....	98-ON	1	<b>E40D.PIS02</b>
171C	Overdrive Clutch .....	96-ON	1	<b>E40D.PIS03</b>
172H	Piston, Intermediate Servo (Molded) (2nd Design) .....	89-ON	1	<b>E40D.SER01</b>
<b>SEALING RINGS</b>				
<b>CLUTCH KITS</b>				
Kit	Alto PowerPak®, Forward Clutch (Hi. Performance) (Frictions, Steel & P. Plates) .....	89-ON	1	<b>C6.CK01</b>
Kit	Alto PowerPak®, Direct Clutch Kit (Frictions, Steels, P. Plate & Circlip) .....	89-ON	1	<b>C6.CK04</b>
Kit	Alto PowerPak®, Intermediate (Frictions, Steel & P. Plate) .....	89-ON	1	<b>E40D.CK03</b>
Kit	Alto PowerPak®, Overdrive Brake (Frictions, Steel & Top P. Plate) .....	89-ON	1	<b>E40D.CK02</b>

ILL NO.	DESCRIPTION	YEARS	QTY	PART NO
<b>FRICITION PLATES</b>				
Kit	Friction Plate E40D (Aftermarket) .....	89-95	1	<b>E40D.FRK01</b>
Kit	Friction Plate E40D (Alto) .....	89-4/97	1	<b>E40D.FRK51</b>
Kit	Friction Plate E40D (Alto) .....	5/97-98	1	<b>E40D.FRK52</b>
Kit	Friction Plate E40D (Aftermarket) .....	96-E97	1	<b>E40D.FRK02</b>
Kit	Friction Plate (Aftermarket) .....	97-01	1	<b>E40D.FRK03</b>
Kit	Friction Plate 4R100 (Alto) .....	99-00	1	<b>E40D.FRK52</b>
Kit	Friction Plate 4R100 (Alto).....	01-ON	1	<b>4R100.FRK52</b>
250A	Coast Clutch (168mm OD x 2.00mm x 60T) ..	89-ON	2	<b>E40D.FRP01</b>
250A	Coast Clutch (Alto Red Eagle) (168mm OD x 2.00mm x 60T) ..	89-ON	2	<b>E40D.FRP62</b>
251C	Overdrive Brake (220mm OD x 2.00mm x 64T) ..	89-97	2/3	<b>E40D.FRP02</b>
251C	Overdrive Brake (220mm OD x 2.03mm x 32T) ..	98-ON	2/3	<b>E40D.FRP10</b>
252C	Intermediate Brake (198mm OD x 2.00mm x 50T) ..	89-E97	3	<b>E40D.FRP03</b>
252C	Intermediate Brake (198mm OD x 2.03mm x 50T) ..	3/97-00	3	<b>E40D.FRP09</b>
252C	Intermediate Brake (Diode Clutch Only) (198mm OD x 1.95mm x 60T) ..	01-ON	3	<b>E40D.FRP63</b>
253D	Direct/Reverse Clutch Smooth (162.5mm OD x 2.00mm x 64T) ..	89-95	4	<b>E40D.FRP04</b>
253D	Direct/Reverse Clutch Grooved (162mm OD x 2.00mm x 63T) ..	96-ON	4/5	<b>E40D.FRP05</b>
254E	Forward Clutch Heavy Duty (161.5mm OD x 2.00mm x 90T) ..	89-ON	5	<b>E40D.FRP07</b>
255G	Low/Reverse Brake Waffle (174mm OD x 2.00mm x 72T) ..	89-E97	6	<b>E40D.FRP08</b>
255G	Low/Reverse Brake Grooved (174mm OD x 2.00mm x 24T) ..	3/97-ON	6	<b>E40D.FRP11</b>
255G	Low/Reverse Brake (Alto Red Eagle) (174mm OD x 2.00mm x 24T) ..	3/97-ON	6	<b>E40D.FRP61</b>
<b>STEEL PLATES</b>				
Kit	Clutch Clearance E40D (Steel Module) (Cures Delayed Reverse) .....	89-ON	1	<b>E40D.CK01</b>
Kit	Steel Plate E40D (Aftermarket) .....	89-97	1	<b>E40D.STK01</b>
Kit	Steel Plate E40D (Alto) .....	89-4/97	1	<b>E40D.STK51</b>
Kit	Steel Plate 4R100 (Aftermarket) .....	99-ON	1	<b>E40D.STK02</b>
Kit	Steel Plate 4R100 (Alto) .....	99-ON	1	<b>4R100.STK51</b>
300A	Coast Clutch (148.5mm ID x 2.03mm x 60T) ..	89-ON	2	<b>E40D.STP01</b>
300A	Coast Clutch (148.5mm ID x 2.03mm x 32T) ..	98-ON	2	<b>E40D.STP09</b>
300A	Coast Clutch (Kolene) (148.5mm ID x 2.03mm x 32T) ..	98-ON	2	<b>E40D.STP10</b>
301C	Overdrive Brake (189.7mm ID x 2.00mm x 6T) ...	89-ON	2	<b>E40D.STP02</b>
302C	Intermediate Brake (157.5mm ID x 2.03mm x 30T) ..	89-ON	2	<b>E40D.STP03</b>
302C	Intermediate Brake (157.5mm ID x 3.18mm x 26T) ..	89-ON	1	<b>E40D.STP04</b>
303D	Direct/Reverse Clutch (130mm ID x 2.00mm x 26T) ....	89-ON	4	<b>E40D.STP05</b>
303D	Direct/Reverse Clutch Oversize (130mm ID x 2.38mm x 26T) ....	89-ON	AR	<b>E40D.STP06</b>
304E	Cushion Plate, Forward Clutch ..	89-ON	1	<b>C6.STP02</b>
305E	Forward Clutch (130mm ID x 2.00mm x 26T) ....	89-ON	4	<b>E40D.STP05</b>
305E	Forward Clutch Oversize (130mm ID x 2.38mm x 26T) ....	89-ON	AR	<b>E40D.STP06</b>
306G	Reverse/Low Brake (144.8mm ID x 1.73mm x 18T) ..	89-ON	6	<b>E40D.STP07</b>

# E40D, 4R100

## 4 SPEED RWD (Electronic Control)



AUTOMATIC CHOICE

ILL NO.	DESCRIPTION	YEARS	QTY	PART NO
<b>STEEL PLATES Cont...</b>				
306G	Reverse/Low Brake (144.8mm ID x 2.00mm x 18T) .	89-ON	AR	<b>E40D.STP08</b>
<b>PRESSURE PLATES</b>				
400A	Coast Clutch (60T).....	89-ON	1	<b>E40D.PP01</b>
400A	Coast Clutch (32T).....	98-ON	1	<b>E40D.PP03</b>
401C	Overdrive Clutch (9.65mm Thick) .....	93-ON	1	<b>E40D.PP02</b>
402C	Intermediate Clutch (8.28mm Thick) .....	89-ON	1	<b>E40D.PP04</b>
405G	Low/Reverse Clutch (13.97mm Thick) .....	89-ON	1	<b>E40D.PP05</b>
<b>SPRINGS &amp; CIRCLIPS</b>				
Kit	Circlip Kit.....	89-ON	1	<b>E40D.CIR10</b>
410A	Coast Clutch Diaphragm.....	89-ON	1	<b>E40D.DIA02</b>
411C	Overdrive Brake Diaphragm .....	89-ON	1	<b>E40D.DIA01</b>
412C	Intermediate Brake Diaphragm. 89-ON	89-ON	1	<b>E40D.DIA03</b>
413E	Forward Clutch Diaphragm .....	89-ON	1	<b>C6.DIA02</b>
416H	Spring, Selector Detent.....	89-ON	1	<b>E40D.SPR01</b>
430A	Circlip - Coast Pressure Plate (1.40mm).....	89-ON	AR	<b>E40D.CIR04</b>
431B	Circlip - Sprag Outer Race.....	89-ON	1	<b>E40D.CIR06</b>
432B	Circlip - Sprag Element.....	89-ON	1	<b>E40D.CIR07</b>
434C	Circlip - Overdrive Press Plate (1.52mm).....	89-ON	AR	<b>E40D.CIR02</b>
	(2.03mm).....	89-ON	AR	<b>E40D.CIR03</b>
435C	Circlip - OD Clutch Diaphragm (Second Design Wide) .....	89-ON	1	<b>E40D.CIR05</b>
435C	Circlip - Sonnax Spiral Sure Lock (Reduces Ring Blowout) .....	89-ON	AR	<b>E40D.CIR08</b>
436C	Circlip - Intermediate Housing (1.52mm).....	89-ON	AR	<b>E40D.CIR02</b>
	(2.03mm).....	89-ON	AR	<b>E40D.CIR03</b>
439F	Circlip - Fwd Ring Gear to Hub. 89-ON	89-ON	1	<b>E40D.CIR01</b>
NI	Spring, Main Regulator (Sonnax® <a href="#">Click here for Info</a> ) ...	89-ON	1	<b>E40D.SPR02</b>
NI	Spring, TCC Regulator Valve (E40D).....	89-ON	1	<b>E40D.SPR03</b>
<b>FILTERS</b>				
450J	Pan Filter (2 WD) .....	89-ON	1	<b>E40D.FIL01</b>
450J	Pan Filter (4 WD Deep Pan) .....	89-ON	1	<b>E40D.FIL02</b>
451J	Filter - Shift Solenoid.....	89-ON	1	<b>E40D.FIL03</b>
NI	Filter -Int Accumulator W/Spring 89-ON	89-ON	1	<b>E40D.FIL04</b>
NI	TCC Regulator Valve Spring (Pack of 3).....	89-ON	1	<b>E40D.VA03</b>
<b>BANDS</b>				
500D	Coast - Manual 2nd.....	89-ON	1	<b>E40D.BAN01</b>
<b>BUSHINGS</b>				
Kit	Bush Kit (E40D) .....	89-ON	1	<b>E40D.BK01</b>
Kit	Bush Kit (4R100).....	98-ON	1	<b>E40D.BK02</b>
550A	Front Pump Body Bronze (19.30mm Wide) .....	89-95	1	<b>C6.BUS01</b>
550A	Front Pump Body Bronze (17.83mm Wide) .....	96-ON	1	<b>E40D.BUS01</b>

ILL NO.	DESCRIPTION	YEARS	QTY	PART NO
<b>BUSHINGS Cont...</b>				
553A	Coast Clutch (4R100) (Pressed Steel Drum) .....	98-ON	1	<b>E40D.BUS13</b>
557F	Forward Sun Gear (Front).....	89-ON	1	<b>C6.BUS03</b>
558F	Forward Sun Gear (Rear) .....	89-ON	1	<b>C6.BUS03</b>
563H	Rear Case One Piece (One Bushing Replaces Both) ..	89-ON	1	<b>E40D.BUS09</b>
563H	Rear Case One Piece Sonnax Late Design 3 grooves to Front 1 to Back (4 Per Pack).....	95-ON	1	<b>E40D.BUS10</b>
563H	Rear Case One Piece Sonnax Oversize Early Design 3 grooves to Front (4 Per Pack)	89-94	1	<b>E40D.BUS11</b>
563H	Rear Case One Piece Sonnax Oversize Late Design 3 grooves to Front 1 to Back (4 Per Pack)	95-ON	1	<b>E40D.BUS12</b>
NI	One Piece Case Bushing Installer Tool (Sonnax®).....	89-ON		<b>E40D.TOOL05</b>
<b>For tools to ream casing for oversize Bushings see Tools &amp; Manuals Section</b>				
564H	Extension Housing (Duralife) ....	89-ON	1	<b>E40D.BUS08</b>
<b>THRUST WASHERS &amp; BEARINGS</b>				
Kit	Thrust Washer Kit .....	89-ON	1	<b>E40D.TWK01</b>
Kit	Needle Bearing Kit (7 Pieces)...	89-ON	1	<b>E40D.TWK02</b>
Kit	Unit End Play Shim Kit (Sonnax®).....	89-ON	1	<b>E40D.SHK01</b>
601B	Overdrive Planetary (2 Inner Tangs 116.84mm O.D.)	89-ON	1	<b>E40D.THW06</b>
601B	Overdrive Planetary (4R100) (Plastic 1 Inner Tang) .....	98-ON	1	<b>E40D.THW07</b>
602C	Thrust Washer, (Centre Support to Direct Drum).....	89-ON	1	<b>E40D.THW09</b>
604D	Direct Drum to Sprag 3 Tang (142.24mm O.D.) .....	89-ON	1	<b>E40D.THW03</b>
608F	Forward Hub to Forward Planet (4 Tab) (4 Gear Planet) .....	89-96	1	<b>E40D.THW01</b>
610F	Rear Planet to Sun Shell (4 Tab) (4 Gear Planet) .....	89-ON	1	<b>E40D.THW01</b>
611F	Rear Planet to Output Hub (4 Tab) (4 Gear Planet) .....	89-ON	1	<b>E40D.THW01</b>
611F	Rear Planet to Output Hub (3 Wide Inner Tangs).....	89-ON	1	<b>E40D.THW05</b>
652B	Bearing - Overdrive Planetary to Centre Shaft.....	89-ON	1	<b>E40D.THW02</b>
655F	Bearing, Forward Planet to Hub	97-ON	1	<b>E40D.THW04</b>
658H	Bearing, Park Wheel (4R100)...	97-ON	1	<b>E40D.THW08</b>
690C	Ball Bearing, Centre Support (Sonnax™).....	89-ON	1	<b>E40D.BE01</b>
<b>ELECTRICAL COMPONENTS</b>				
700H	Manual Lever Position Sensor (MPLS).....	89-96	1	<b>E40D.ELE02</b>
700H	Manual Lever Position Sensor (MPLS) E40D/4R100 .....	97-ON	1	<b>E40D.ELE06</b>
701J	Solenoid Body Assembly (Remanufactured Non PWM)....	89-94	1	<b>E40D.SOL01</b>
	(Remanufactured Non PWM)....	95-ON	1	<b>E40D.SOL03</b>
	(4R100 With PWM) .....	98-ON	1	<b>E40D.SOL04</b>
702H	Turbine Speed Sensor (TSS) (4R100 Without PTO) .....	98-ON	1	<b>E40D.ELE07</b>
702H	Turbine Speed Sensor (4R100 With PTO) .....	98-ON	1	<b>E40D.ELE08</b>



THE AUTOMATIC TRANSMISSION PARTS WAREHOUSE

# E40D, 4R100

## 4 SPEED RWD (Electronic Control)



AUTOMATIC CHOICE



THE AUTOMATIC TRANSMISSION PARTS WAREHOUSE

ILL NO.	DESCRIPTION	YEARS	QTY	PART NO
<b>ELECTRICAL COMPONENTS Cont...</b>				
703H	Output Speed Sensor (4R100).....	98-ON	1	<b>E40D.ELE07</b>
704J	Printed Circuit Board for Solenoid Block (Sonnax™) (E40D & 4R100).....	89-ON	1	<b>E40D.VA16</b>
705J	Repair Kit, External Harness.....	89-94	1	<b>E40D.ELE11</b>
705J	Repair Kit, External Harness.....	95-ON	1	<b>E40D.ELE11</b>
NI	Vehicle Speed Sensor (VSS) (Fitted in Transmission).....	89-90	1	<b>E40D.ELE01</b>
NI	Vehicle Speed Sensor (VSS) (Fitted in Rear Axle).....	91-ON	1	<b>E40D.ELE05</b>
NI	"Interceptor" Adjustable Electronic Modulator.....	95-ON	1	<b>E40D.ELE03</b>
NI	(FIPL) Diesel Throttle Position Sensor.....	89-ON	1	<b>E40D.ELE04</b>
<b>VALVE BODY PARTS</b>				
Kit	E40D/4R100 Shift Kit (TransGo ®).....	89-ON	1	<b>E40D.SK01</b>
Kit	E40D/4R100 HD + HP Reprogramming Kit (Tugger).....	89-ON	1	<b>E40D.SK02</b>
Kit	Line Pressure Modulator Kit (Sonnax ® 8.41mm Valve).....	89-ON	1	<b>E40D.VA01</b>
Kit	Line Pressure Modulator Kit (Sonnax ® 9.45mm Valve).....	94-ON	1	<b>E40D.VA04</b>
Kit	Line Pressure Modulator Kit (Sonnax ® 10.85mm Valve).....	89-ON	1	<b>E40D.VA06</b>
Kit	2-3, 3-4 Accumulator Control Valve Kit (Sonnax ®).....	89-ON	1	<b>E40D.VA09</b>
NI	Bore Sizing Tool for E40D.VA09	89-ON	1	<b>E40D.VA10</b>
Kit	Accumulator Piston Springs (Sonnax™) (Services all Three)	89-ON	1	<b>E40D.VA17</b>
NI	Pressure Boost Valve & Sleeve (Sonnax ® With 'O' Rings).....	89-ON	1	<b>E40D.VA02</b>
NI	Pressure Boost Valve & Sleeve (Sonnax ® Factory Style).....	89-ON	1	<b>E40D.VA05</b>
NI	TCC Regulator Valve Spring (Pack of 3).....	89-ON	1	<b>E40D.VA03</b>
NI	TCC Control Sleeve Assy 4R100 (Sonnax ® for PWM Version)....	98-ON	1	<b>E40D.VA07</b>
NI	Line To Lube Press Reg Valve (Sonnax®).....	89-ON	1	<b>E40D.VA08</b>
NI	Front Lube/Drainback Valve (Sonnax®).....	89-ON	1	<b>E40D.VA11</b>
NI	Valve Low/Rev Modulator W/Sleeve.....	89-ON	1	<b>E40D.VA18</b>
NI	Spring, Main Regulator (Sonnax® <a href="#">Click Here for Info</a> ) ...	89-ON	1	<b>E40D.SPR02</b>
NI	Accumulator Pressure Control Valve, Oversize (Sonnax™) (Needs Tool E40D.VA15).....	89-ON	1	<b>E40D.VA14</b>
NI	Reamer & Jig Kit for E40D.VA14 (Sonnax™).....	89-ON	1	<b>E40D.VA15</b>
NI	Spring, TCC Regulator Valve (E40D in Pump).....	89-ON	1	<b>E40D.SPR03</b>
<b>HARD PARTS</b>				
800A	Rebuilt Pump - Cast Coast Drum (9Lobe Inner Gear).....	89-97	1	<b>E40D.PUM01</b>
801A	Pump Gear Set (Standard Size) (No Machining Required).....	89-ON	1	<b>E40D.PUM05</b>
801A	Pump Gear Set (Standard Size) (Sonnax ®).....	89-ON	1	<b>E40D.PUM02</b>
801A	Pump Gear Set (Oversize) (Pump will require Machining)...	89-ON	1	<b>E40D.PUM04</b>

ILL NO.	DESCRIPTION	YEARS	QTY	PART NO
<b>HARD PARTS Cont...</b>				
801A	Pump Gear Set (Oversize) (Sonnax ®) (Pump will require Machining)...	89-ON	1	<b>E40D.PUM03</b>
802A	Coast Clutch Cast Iron.....	89-97	1	<b>E40D.DRU06</b>
802A	Coast Clutch Stamped Steel (Without PTO Drive Gear).....	98-ON	1	<b>E40D.DRU04</b>
803A	Coast Clutch Piston Apply Ring	89-ON	1	<b>E40D.PIS01</b>
804A	Sun Gear, Overdrive.....	89-97	1	<b>E40D.SUN01</b>
804A	Sun Gear, Overdrive.....	98-ON	1	<b>E40D.SUN06</b>
805B	Sprag Assembly, Overdrive (12 Lugs) (Sprag, Cam & Outer Race).....	89-ON	1	<b>E40D.OWC02</b>
806B	Outer Race, Overdrive Sprag (4R100) (Used w/ Stamped Steel Drum)	98-ON	1	<b>E40D.OWC11</b>
807B	Sprag, Overdrive (34 Elements, w/ Metal Cage)...	89-94	1	<b>E40D.OWC04</b>
807B	Sprag, Overdrive (12 Roller) (Tan Plastic 103.78mm Dia).....	95-97	1	<b>E40D.OWC05</b>
807B	Sprag, Overdrive (12 Roller) (Black Plastic 83.44mm Dia).....	98-ON	1	<b>E40D.OWC08</b>
808B	Inner Race, Overdrive Sprag....	89-ON	1	<b>E40D.OWC09</b>
809B	Overdrive Planet Kit, w/ Input Shaft (Retros All E40D & 4R100).....	89-ON	1	<b>E40D.PL01</b>
810B	Ring Gear, Overdrive Planet.....	89-97	1	<b>E40D.PL02</b>
810B	Ring Gear, Overdrive Planet.....	98-ON	1	<b>E40D.PL13</b>
810B	Ring Gear, Overdrive Planet 4R100 (Circlip Groove 7mm Down).....	98-ON	1	<b>E40D.PL14</b>
811B	Shaft, Overdrive (w/ Pilot) (Bushing In Output Shaft).....	89-ON	1	<b>E40D.SH01</b>
811B	Shaft, Overdrive (No Pilot) (Cup Plug is In The Output Shaft).....	1994	1	<b>E40D.SH04</b>
812C	Cylinder - Intermediate & OD Clutch (Uses Bonded Piston).....	95-ON	1	<b>E40D.DRU05</b>
813BC	Support Kit, w/ Plate, Hub & Shaft (w/ Bearing Inside).....	89-ON	1	<b>E40D.SUP01</b>
813BC	Support Kit, w/ Plate, Hub & Shaft (w/ Bush Inside Heavy Duty Converts Bearing to Bush Type)	89-ON	1	<b>E40D.SUP02</b>
814C	Centre Support Hub, With Bearing (Sonnax™).....	89-ON	1	<b>E40D.SUP04</b>
815B	Input Shaft, (343.00mm Long) ..	89-ON	1	<b>E40D.SH02</b>
815B	Input Shaft, (355.60mm Long) ..	89-ON	1	<b>E40D.SH03</b>
816D	Outer Race, Intermediate Sprag	89-ON	1	<b>E40D.OWC10</b>
817D	Sprag, Intermediate One-Way (34 Elements).....	89-ON	1	<b>E40D.OWC03</b>
817D	Sprag, Intermediate One-Way (45 Elements).....	89-ON	1	<b>E40D.OWC14</b>
818D	Direct (4 Clutch) (w/o Sprag) (2 Feed Holes).....	89-ON	1	<b>E40D.DRU08</b>
818D	Direct (5 Clutch) (w/o Sprag) (2 Feed Holes).....	89-97	1	<b>E40D.DRU09</b>
818D	Direct (5 Clutch) (E40D).....	98-ON	1	<b>E40D.DRU12</b>
818D	Direct Drum (Petrol).....	00-ON	1	<b>E40D.DRU01</b>
818D	Direct Drum 9L Diesel Conversion Kit, 4R100, Diode to 45 Cam Sprag, 4 CL Type, Includes Drum, Int. Hub, Int. 45 Cam Sprag, Int. Washer, 4 Int. Clutches, Dir To Fwd Washer.....	00-01	1	<b>E40D.DRU11</b>
819D	Piston, Direct Clutch (4R100) ...	89-ON	1	<b>E40D.PIS04</b>
821E	Forward Clutch (4 Plate) (E40D).....	89-ON	1	<b>E40D.DRU07</b>
821E	Forward Clutch (4 Plate) (4R100).....	98-ON	1	<b>E40D.DRU10</b>
822E	Piston Assy - Forward Clutch....	89-ON	1	<b>C6.PIS01</b>
823F	Hub, Forward Planet Ring Gear (Washer Type).....	89-96	1	<b>E40D.PL06</b>
823F	Hub, Forward Planet Ring Gear (Bearing Type).....	97-ON	1	<b>E40D.PL07</b>

# E40D, 4R100

## 4 SPEED RWD (Electronic Control)



AUTOMATIC CHOICE



THE AUTOMATIC TRANSMISSION PARTS WAREHOUSE

ILL NO.	DESCRIPTION	YEARS	QTY	PART NO
<b>HARD PARTS Cont...</b>				
824F	Ring Gear, Forward Planet .....	89-ON	1	<b>E40D.PL03</b>
825F	Forward Planetary (3 Gear, Washer Type).....	89-ON	1	<b>E40D.PL16</b>
825F	Forward Planetary (4 Gear, Bearing Type).....	97-ON	1	<b>E40D.PL15</b>
825F	Forward Planetary (6 Pinion) ....	89-ON	1	<b>E40D.PL08</b>
826F	Sun Gear, Forward.....	89-ON	1	<b>E40D.SUN03</b>
827F	Shell, Input.....	89-97	1	<b>E40D.SUN02</b>
827aF	Sun Gear & Shell Kit.....	98-97	1	<b>E40D.SUN04</b>
828F	Rear Planetary (4 Gear, w/ 12 Lug Hub).....	89-E97	1	<b>E40D.PL10</b>
828F	Rear Planetary (6 Gear, Steel, w/ 12 Lug Hub) .	89-E97	1	<b>E40D.PL17</b>
828F	Rear Planetary (6 Gear, Steel, w/ 24 Lug Hub) .	L97-ON	1	<b>E40D.PL12</b>
828F	Rear Planet Kit, (6 Gear, w/ Sprag Race, Rear Sprag, Clutch Hub) Retros All.....	89-ON	1	<b>E40D.PLK01</b>
829F	Ring Gear, Rear Planet.....	89-ON	1	<b>E40D.PL11</b>
830F	Ring Gear Rear & Output Hub ..	89-ON	1	<b>E40D.PL04</b>
831G	Reverse Clutch Hub (Stamped Steel 24 Lugs) .....	98-ON	1	<b>E40D.DRU02</b>
832G	Sprag, Rear (16 Roller w/ Plastic Cage, Black) .....	89-E97	1	<b>E40D.OWC12</b>
832G	Sprag, Rear (17 Roller w/ Plastic Cage) .....	L97-ON	1	<b>E40D.OWC07</b>
833G	Race - Low Roller Inner (25.73mm) Bearing Type .....	89-ON	1	<b>E40D.OWC01</b>
833G	Race - Low Roller Inne (86.31mm OD) (For 17 Roller Sprag) .....	L97-ON	1	<b>E40D.OWC13</b>
835H	Output Shaft, 4WD (362.70mm) (W/ Bushing) .....	89-ON	1	<b>E40D.SH05</b>
837H	Parking Gear.....	89-ON	1	<b>E40D.GE01</b>
839H	Extension Housing (2WD).....	89-ON	1	<b>E40D.CAS01</b>
<b>SPECIAL ITEMS</b>				
NI	Unit End Play Shim Kit.....	89-ON	1	<b>E40D.SHK01</b>
NI	Sonnax 'Sure Cure Kit' .....	89-ON	1	<b>E40D.SCK01</b>
NI	Cooler By Pass Valve Assembly .....	97-ON	1	<b>E40D.CO001</b>
<b>TOOLS &amp; MANUALS</b>				
NI	ATSG Rebuild Manual (E40D) ..	89-ON		<b>E40D.MAN01</b>
NI	ATSG Update Manual (E40D)...	89-ON		<b>E40D.MAN02</b>
NI	ATSG Rebuild Manual (4R100)	98-ON		<b>E40D.MAN03</b>
<p><a href="#">Click here to view special tools for this transmission</a></p>				

ILL NO.	DESCRIPTION	YEARS	QTY	PART NO