

FORD CFT23 (Ford Focus C-Max 2003-)

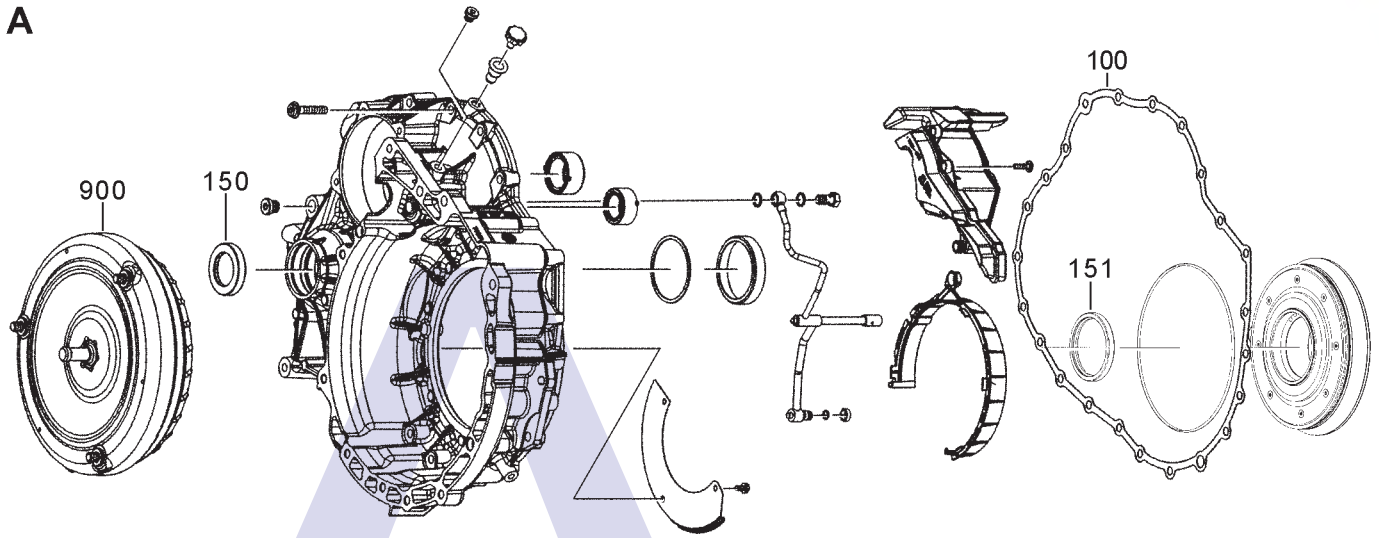
FWD CVT With Torque Converter (Full Electronic Control)



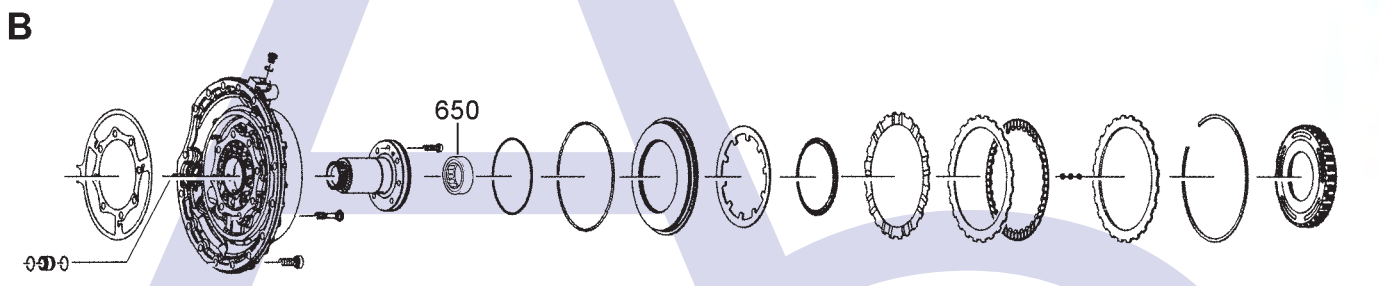
AUTOMATIC CHOICE



THE AUTOMATIC TRANSMISSION PARTS WAREHOUSE

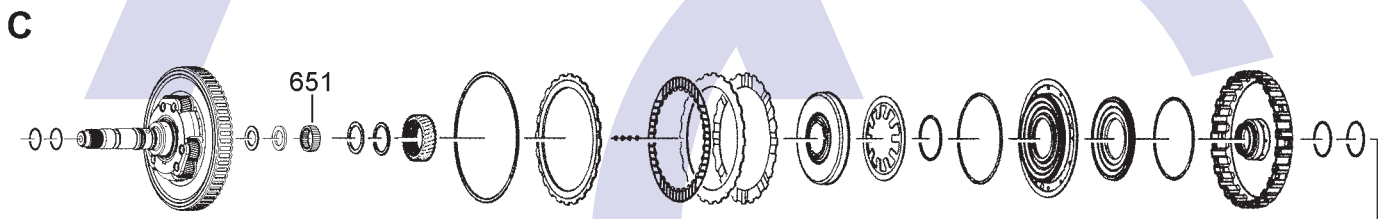


Torque Converter, Bell Housing & Pump



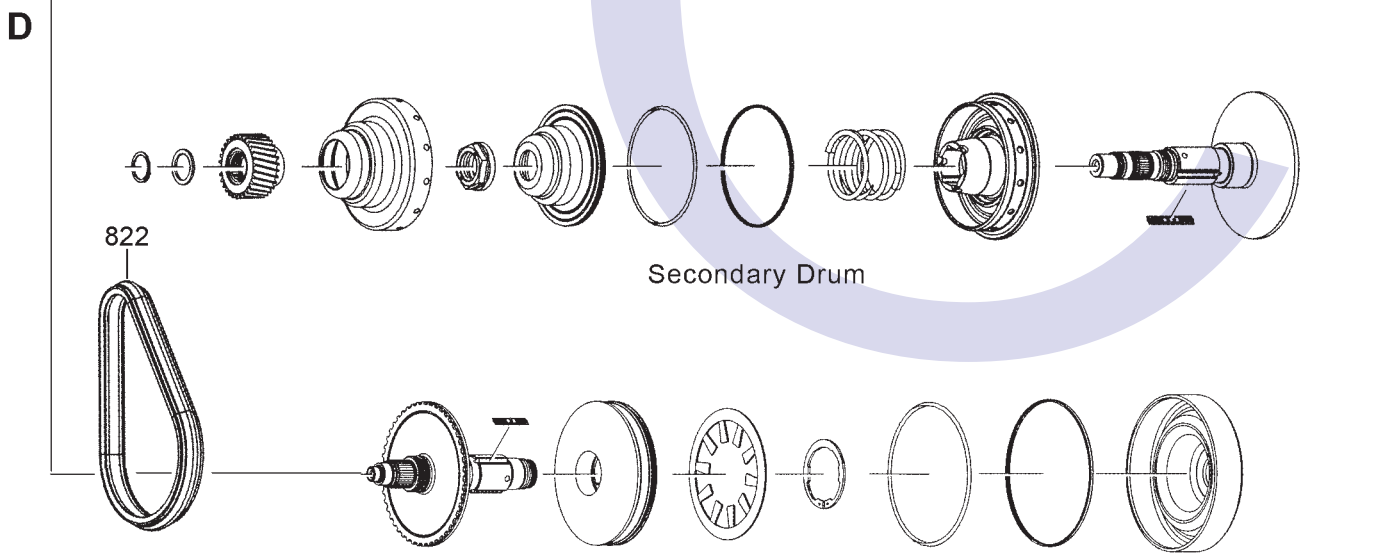
Stator Assembly

Reverse Clutch



Input Shaft

Forward Clutch Assembly



Secondary Drum

Primary Drum

FORD CFT23 (Ford Focus C-Max 2003-) FWD CVT With Torque Converter (Full Electronic Control)

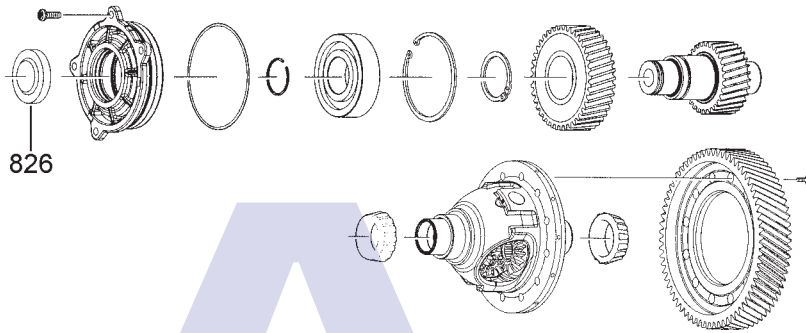


AUTOMATIC CHOICE



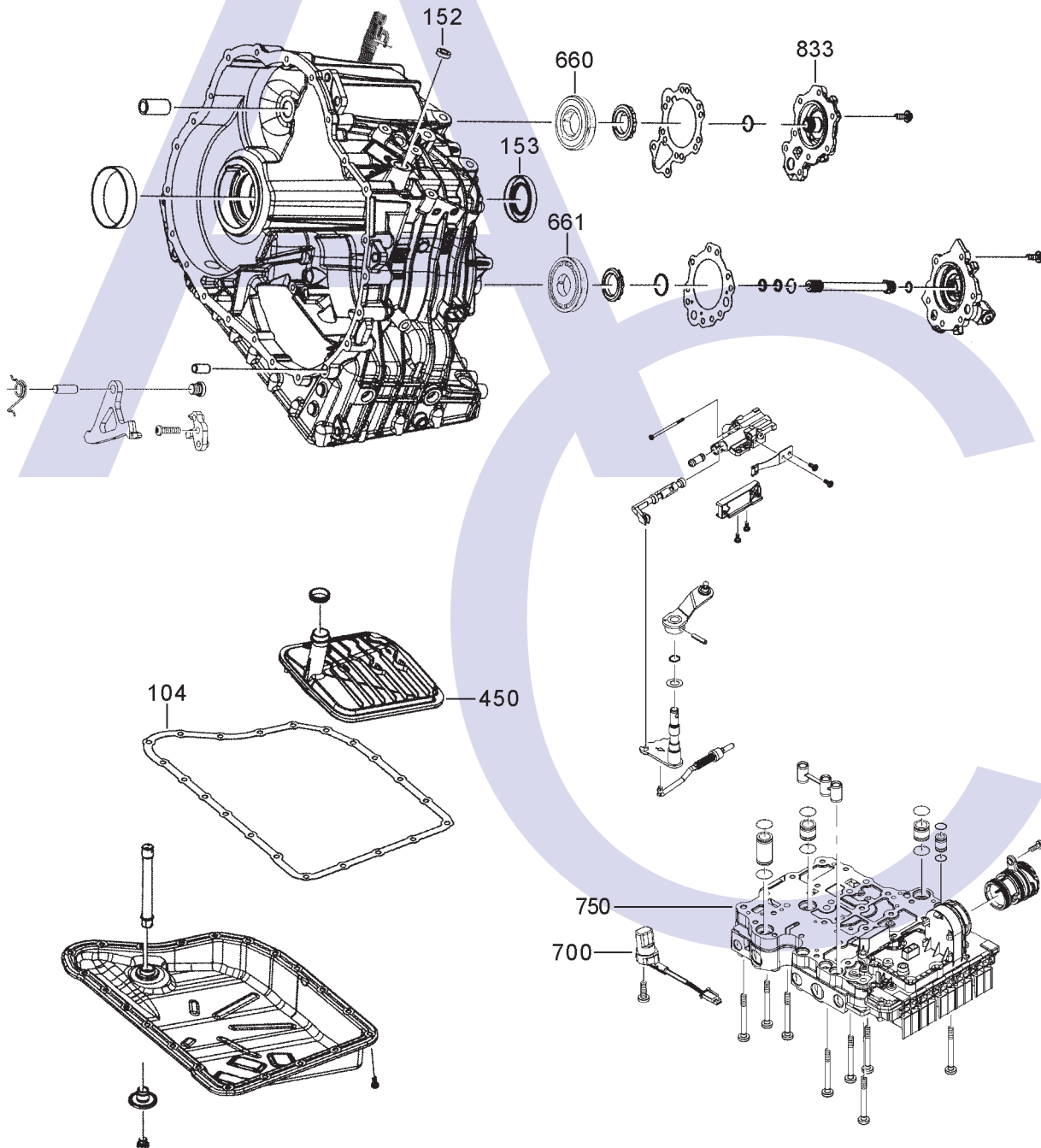
THE AUTOMATIC TRANSMISSION PARTS WAREHOUSE

E



Output Gears & Differential Assembly

F



Main Case, Oil Pan, Filter, Mechatronic Etc

FORD CFT23 (Ford Focus C-Max 2003-)

FWD CVT With Torque Converter (Full Electronic Control)



AUTOMATIC CHOICE



THE AUTOMATIC TRANSMISSION PARTS WAREHOUSE

ILL NO.	DESCRIPTION	YEARS	QTY	PART NO
KITS				
Kit	Overhaul Kit (Precision) (ZF Tag on Transmission)	02-ON	1	CFT23.OHK51
Kit	Overhaul Kit (Precision) (4M5P, 5M5P, 6M5P)	02-ON	1	CFT23.OHK52
GASKETS				
100A	Main Case (ZF Tag)	02-ON	1	CFT23.GAS04
100A	Main Case (Ford Tag)	10/03-ON	1	CFT23.GAS03
104F	Pan Gasket (ZF Tag)	02-ON	1	CFT23.GAS01
104F	Pan Gasket (Ford Tag)	10/03-ON	1	CFT23.GAS02
RUBBER COMPONENTS				
METAL CLAD SEALS				
150A	Drive Shaft (ZF Tag) (R/Hand) ..	02-ON	1	CFT23.MCS02
150A	Drive Shaft (Ford Tag) (R/Hand)	02-ON	1	CFT23.MCS05
151A	Converter to Pump (All)	02-ON	1	CFT23.MCS01
152F	Manual Control Shaft (All)	02-ON	1	CFT23.MCS03
153F	Drive Shaft (ZF Tag) (L/Hand)...	02-ON	1	CFT23.MCS02
153F	Drive Shaft (Ford) (L/Hand)	02-ON	1	CFT23.MCS04
MOULDED PISTONS				
SEALING RINGS				
FRICITION PLATES				
Kit	Friction Plate (Alto) (All)	02-ON	1	CFT23.FRK51
STEEL PLATES				
Kit	Steel Plate (All)	02-ON	1	CFT23.STK01
PRESSURE PLATES				
SPRINGS & CIRCLIPS				

ILL NO.	DESCRIPTION	YEARS	QTY	PART NO
FILTERS				
450F	Pick Up Filter (Early Style)	02-ON	1	CFT23.FIL01
450F	Pick Up Filter (Late Style) (Either all White or Half White/Black has Longer Pickup on Bottom Compared to Early Style)	02-ON	1	CFT23.FIL02
NI	Filter, Cartridge Type (85mm 4M5P, 5M5P, 6M5P)	02-ON	1	CFT23.FIL03
BUSHINGS				
NI	Pump Bush (All)	02-ON	1	CFT23.BUS01
THRUST WASHERS & BEARINGS				
650B	Roller Bearing, Stator to Input Shaft	02-ON	1	CFT23.BE03
651C	Needle Bearing, Primary Shaft to Input Planet	02-ON	1	CFT23.BE04
660F	Secondary Shaft Bearing (Sealed) (All) (17mm Wide W/Green Grease Retainer)	02-ON	1	CFT23.BE02
661F	Primary Shaft Bearing (open) (All) (14mm Wide)	02-ON	1	CFT23.BE01
ELECTRICAL COMPONENTS				
700F	Engine Speed Sensor (All)	02-ON	1	CFT23.ELE01
VALVE BODY PARTS				
750F	Valve Body Assembly (Stage 3, Diesel)	TO-05	1	CFT23.VB01
750F	Valve Body Assembly (Stage 4, Diesel)	05-ON	1	CFT23.VB02
750F	Valve Body Assembly (1.8 Ltr Petrol)	02-ON	1	CFT23.VB03
HARD PARTS				
822D	Drive Chain/Belt	02-ON	1	CFT23.CH01
826E	Cap, Transfer Gear Cover	02-ON	1	CFT23.CAP01
833F	Secondary Bearing Cover (All) .	02-ON	1	CFT23.COV01
SPECIAL ITEMS				
900A	Torque Converter (Remanufactured O.C.R.) (Focus C MAX 1.6 diesel 10/2003- "N75") (* See Note)	02-ON	1	CFT23.TC01
900A	Torque Converter (New) (Focus C MAX 1.6 diesel 10/2003- "N75")	02-ON	1	CFT23.TC51
* Note: This is a common failure on this transmission and can often be beyond repair, also it has issues with the lock up lining.				
TOOLS & MANUALS				