

BORG WARNER 65, 66

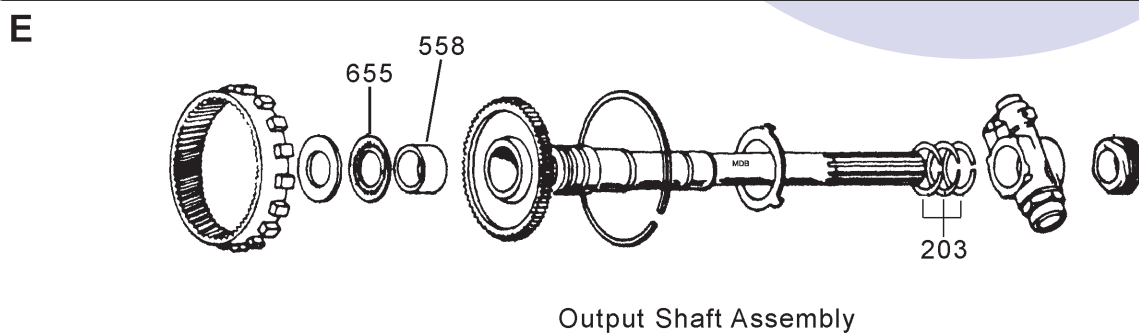
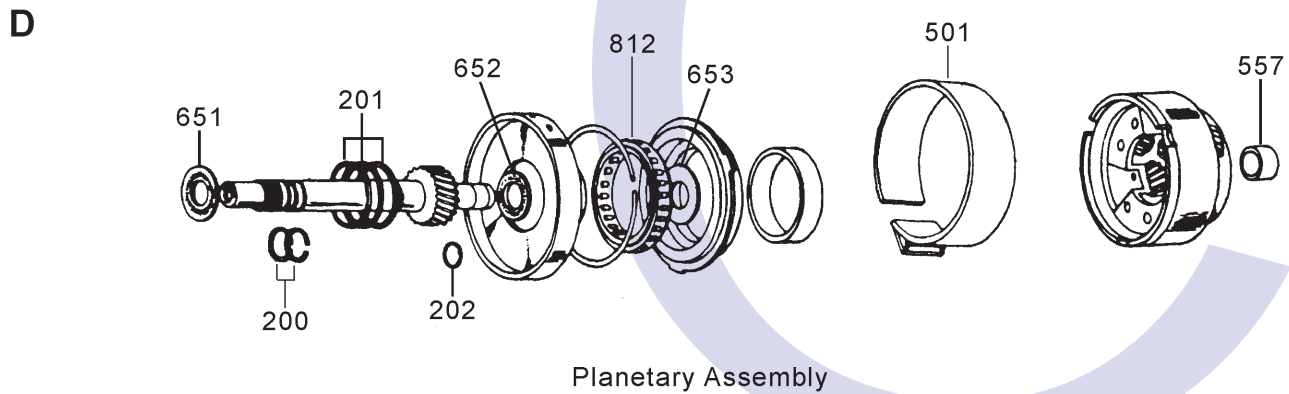
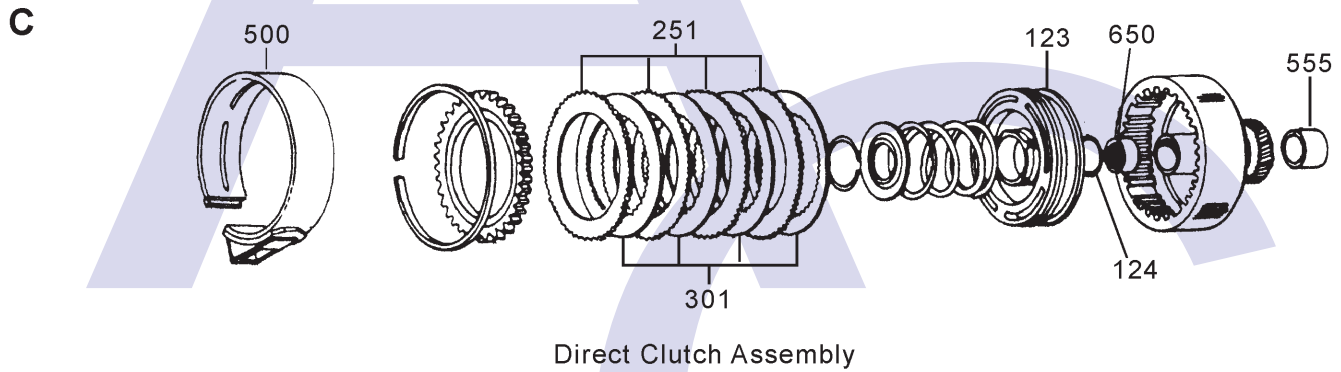
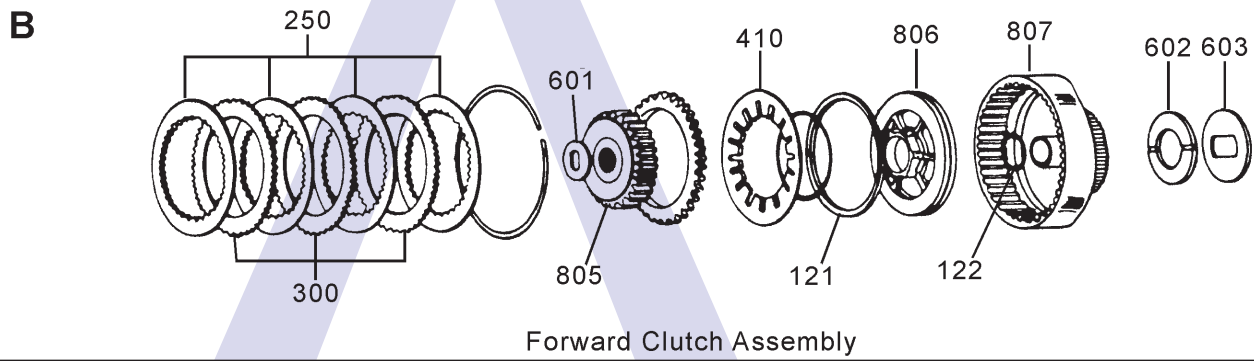
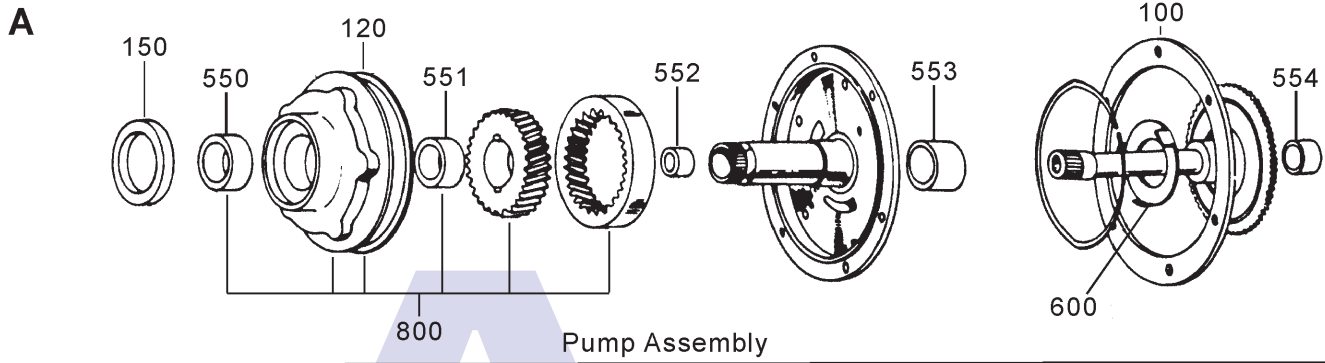
3 SPEED RWD



AUTOMATIC CHOICE



THE AUTOMATIC TRANSMISSION PARTS WAREHOUSE



BORG WARNER 65, 66

3 SPEED RWD

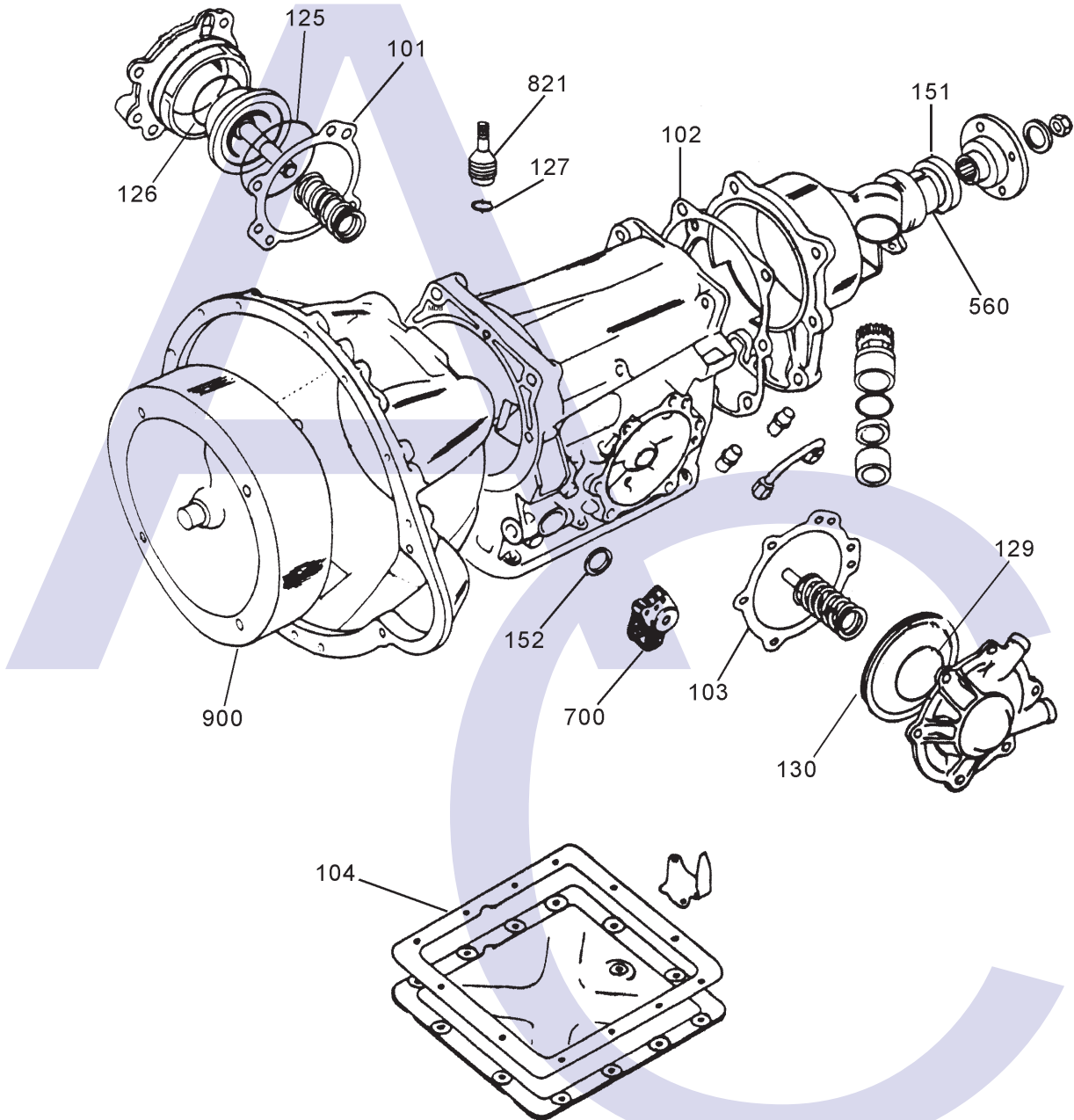


AUTOMATIC CHOICE



THE AUTOMATIC TRANSMISSION PARTS WAREHOUSE

F



Main Case & Servo's

BORG WARNER 65, 66 3 SPEED RWD



AUTOMATIC CHOICE



THE AUTOMATIC TRANSMISSION PARTS WAREHOUSE

ILL NO.	DESCRIPTION	YEARS	QTY	PART NO
KITS				
Kit	Super Kit (Bryco).....		1	BW65.SOHK01
Kit	Overhaul Kit (Transtec) (Except BMW).....		1	BW65.OHK01
Kit	Overhaul Kit (Transtec) (BMW Only)		1	BW65.OHK02
Kit	Overhaul Kit All (Precision)		1	BW65.OHK51
Kit	Gasket & Rubber Kit		1	BW65.GSK01
Kit	Gasket.....		1	BW65.GK01
Kit	'O' Ring Kit		1	BW65.ORK01
Kit	Sealing Ring Kit		1	BW35.SRK01
Kit	Kickdown Cable Repair.....		1	BW65.CABKIT
GASKETS				
100A	Front Pump		1	BW65.GAS02
101F	Front Servo		1	BW65.GAS04
102F	Extension Housing.....		1	BW65.GAS03
103F	Rear Servo.....		1	BW65.GAS05
104F	Pan Gasket		1	BW65.GAS01
104F	Pan Gasket (Farpak).....		1	BW65.GAS10
NI	Filter.....		1-2	BW35.GAS06
RUBBER COMPONENTS				
120A	Pump O Ring		1	BW35.SQR01
121B	Forward Clutch Outer.....		1	BW35.SQR02
122B	Forward Clutch Inner Seal (Anti Bump)		1	BW65.RUB01
122B	Forward Clutch Inner (O Ring Type)		1	BW35.OR01
123C	High & Reverse Clutch Outer....		1	BW35.SQR03
124C	High & Reverse Clutch Inner		1	BW35.OR02
125F	Front Servo Cover & Piston 'O' Ring		2	BW65.OR01
125F	Front Servo Piston Outer (Triumph)		1	BW65.OR08
126F	Front Servo Piston (Inner)		1	BW65.OR03
127F	Breather Adaptor O Ring.....		1	BW65.OR07
129F	Rear Servo Piston Inner.....		1	BW65.OR05
130F	Rear Servo Piston Outer.....		1	BW65.OR06
NI	Pump Pick Up Tube		1	BW35.OR09
NI	Front Servo Cover to Selector 'O' Ring		1	BW65.OR02
NI	Rear Servo Cover 'O' Ring		1	BW65.OR04
METAL CLAD SEALS				
150A	Front Pump Early (Wide)		1	BW35.MCS01
150A	Front Pump Late (Narrow)		1	BW37.MCS01
151F	Extension Housing (Jaguar, Rover, some Triumph)		1	BW35.MCS02
151F	Extension Housing (BMW 62.23mm)		1	BW65.MCS02
151F	Extension Housing (Triumph, Austin, Morris) (51.05mm)		1	BW65.MCS03
152F	Selector Shaft		1	BW65.MCS01
SEALING RINGS				
200D	Sun Gear Front (Steel).....		2	BW35.SSR05
200D	Sun Gear Front (Teflon)		2	BW35.SSR02
201D	High & Reverse Clutch Drum....		3	BW35.SSR01
202D	Sun Gear Rear.....		1	BW35.SSR03
203E	Output Shaft (Governor)		3	BW35.SSR04

ILL NO.	DESCRIPTION	YEARS	QTY	PART NO
FRICTION PLATES				
Kit	Friction Plate (Alto)		1	BW35.FRK51
250B	Forward Clutch Borg Warner Grooved Heavy Duty (OEM).....		5	BW35.FRP02
251C	High & Reverse Borg Warner Grooved Heavy Duty (OEM).....		5	BW35.FRP02
STEEL PLATES				
Kit	Steel Plate (Alto).....		1	BW35.STK51
300B	Forward Flat (1.70mm)		4	BW35.STP01
300B	Forward (Oversize 2.00mm)		AR	BW35.STP04
301C	High & Reverse Dished		3-5	BW35.STP02
301C	High & Reverse (Extra Dished).		0-2	BW35.STP03
PRESSURE PLATES				
SPRINGS & CIRCLIPS				
410B	Diaphragm Spring Heavy Duty .		1	BW35.DIA01
FILTERS				
NI	Filter Gun Type		1	BW35.FIL02
BANDS				
500C	Intermediate (Front) Flex		1	BW35.BAN01
501D	Low & Reverse (Rear) Heavy Duty		1	BW35.BAN02
BUSHINGS				
550A	Front Pump		1	BW35.BUS01
551A	Pump Gear.....		1	BW35.BUS02
552A	Stator Front BW65 (22-23 Spline)		1	BW35.BUS03
553A	Stator Rear (No Groove).....		1	BW35.BUS04
554A	Input Shaft.....		1	BW35.BUS05
555C	Secondary Sun gear Rear		1	BW35.BUS08
557D	Planet.....		1	BW35.BUS08
558E	Output Shaft (Grooved).....		1	BW35.BUS09
560F	Extension Housing (Babbit With Hole)		1	BW35.BUS11
NI	Case.....		1	BW35.BUS10

BORG WARNER 65, 66 3 SPEED RWD



AUTOMATIC CHOICE



THE AUTOMATIC TRANSMISSION PARTS WAREHOUSE

ILL NO.	DESCRIPTION	YEARS	QTY	PART NO
THRUST WASHERS & BEARINGS				
600A	Front Selective .062"		1	BW35.THR01
601B	Forward Clutch Hub		1	BW35.THR02
602B	Forward to High Clutch Bronze		1	BW35.THR03
603B	Forward to High Clutch Steel....		1	BW35.THR04
650C	Secondary Sungear Front Bearing		1	BW35.BUS06
651D	Sungear Front Needle.....		1	BW35.TOR01
652D	Sungear Rear Large Roller		1	BW35.TOR02
653D	Thrust Plate Sungear to Planet.		1	BW35.THR06
655E	Planet to Output Shaft Small Roller		1	BW35.TOR03
ELECTRICAL COMPONENTS				
700F	Inhibitor Switch.....		1	BW65.ELE01
VALVE BODY PARTS				
HARD PARTS				
800A	Pump Body & Gears BW65		1	BW65.PUM02
805B	Forward Clutch Hub		1	BW35.HUB01
806B	Forward piston (Non Anti Bump).....		1	BW35.PIS01
806B	Forward Piston (Anti Bump)		1	BW65.PIS01
807B	Forward Clutch Drum (Anti Bump)		1	BW65.DRU01
807B	Forward Clutch Drum (Std)		1	BW35.DRU01
812D	One Way Clutch (Sprag) (30 Cam)		1	BW35.OWC01
821F	Breather Adaptor		1	BW65.BRE01
SPECIAL ITEMS				
Kit	Cable Repair Kit		1	BW65.CABKIT
NI	Kickdown Cable Rover (6002) ..		1	BW65.CAB02
NI	Kickdown Cable Jaguar (6014).		1	BW65.CAB14
NI	Kickdown Cable Jaguar (6015).		1	BW65.CAB15
NI	Kickdown Cable Triumph (027, 037, 039 & 048)		1	BW65.CAB23
NI	Kickdown Cable Taxi Code 042		1	BW65.CAB27
NI	Kickdown Cable Triumph Stag..		1	BW65.CAB33
NI	Kickdown Cable Taxi 2.5 Diesel (Codes 6081, 6083)		1	BW65.CAB46
Many other cables available on request				
TOOLS & MANUALS				

ILL NO.	DESCRIPTION	YEARS	QTY	PART NO
TORQUE CONVERTERS				
900F	Sherpa Van (Stamp No. 6005)..		1	BW65.TC05
900F	Rover 3.5 Ltr SD1		1	BW65.TC09
900F	Jaguar 4.2 Ltr (BW65).....		1	BW65.TC11
900F	Jaguar 3.4 Ltr (BW65).....		1	BW65.TC25
900F	Taxi (BW65)		1	BW65.TC57
900F	Jaguar 4.2 Ltr (BW66).....		1	BW66.TC61
900F	Jaguar 3.4 Ltr (BW66).....		1	BW66.TC67
900F	Rover 2.0 Ltr SD1		1	BW66.TC91
900F	Taxi (BW66)		1	BW66.TC103
Units not listed can be rebuilt on an own core basis				