

BORG WARNER 35 & 40

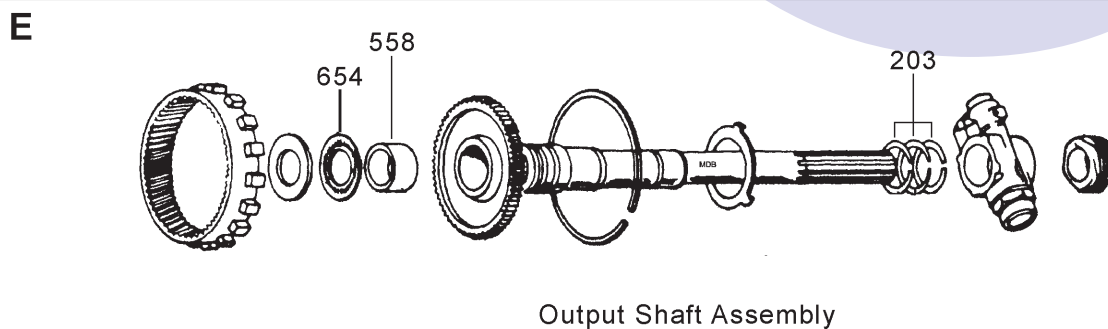
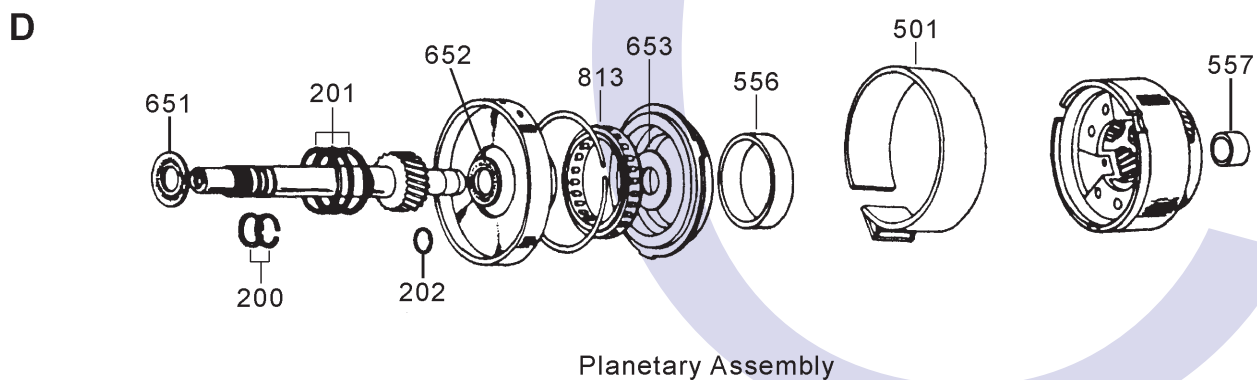
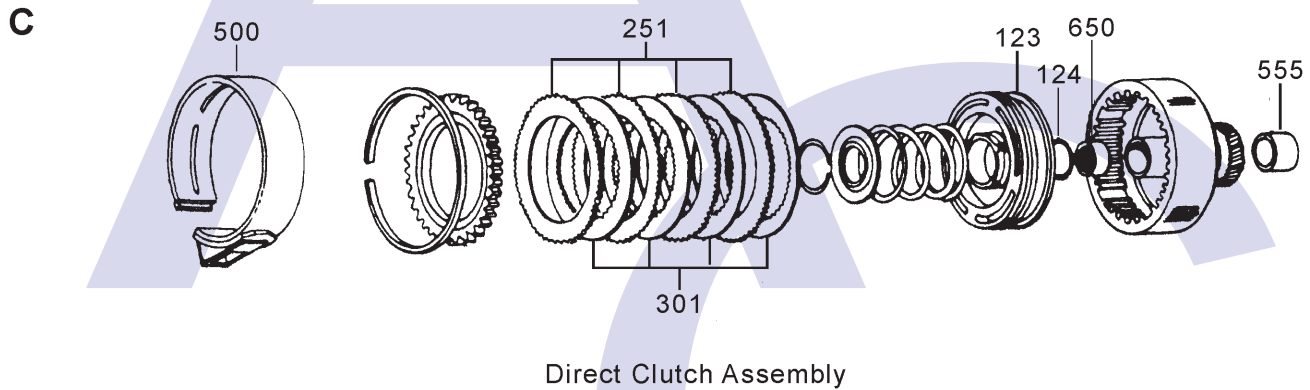
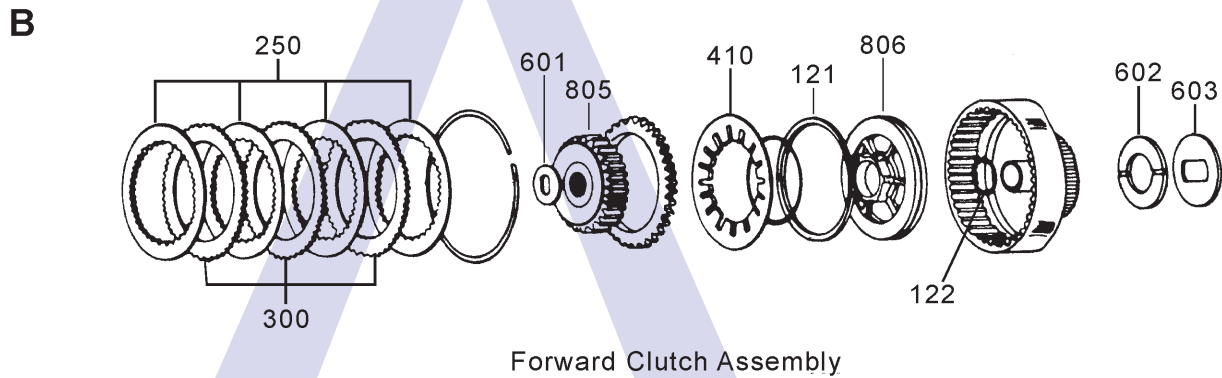
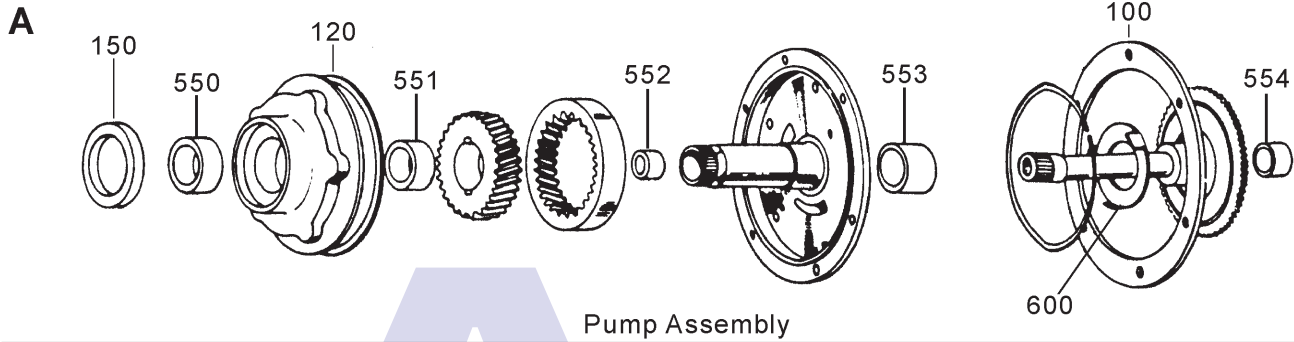
3 SPEED RWD



AUTOMATIC CHOICE



THE AUTOMATIC TRANSMISSION PARTS WAREHOUSE



BORG WARNER 35 & 40 3 SPEED RWD

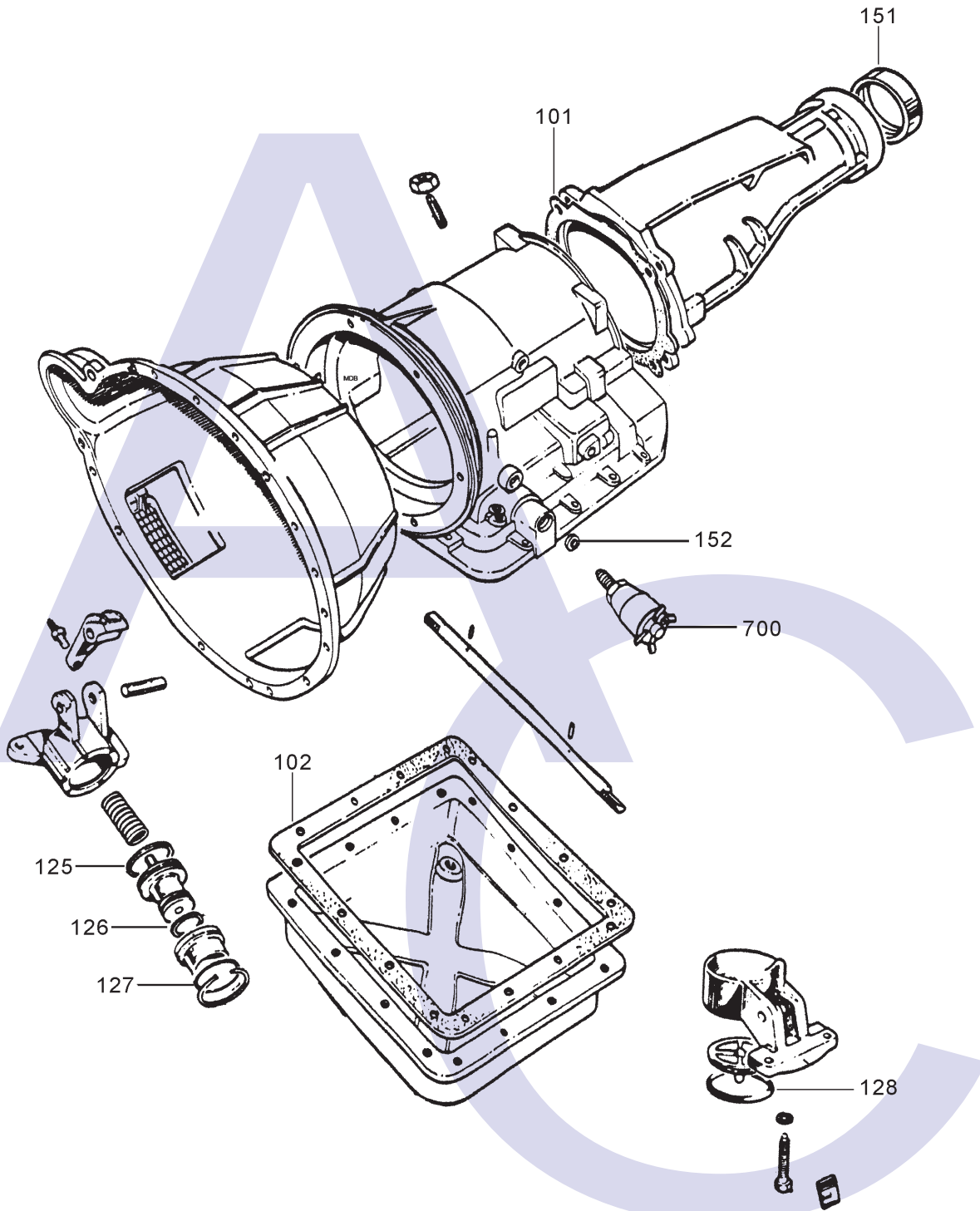


AUTOMATIC CHOICE



THE AUTOMATIC TRANSMISSION PARTS WAREHOUSE

F



Casing, Servo's, Oil Pan Etc

BORG WARNER 35 & 40

3 SPEED RWD



AUTOMATIC CHOICE



THE AUTOMATIC TRANSMISSION PARTS WAREHOUSE

ILL NO.	DESCRIPTION	YEARS	QTY	PART NO
KITS				
Kit	Overhaul Kit All BW35 (Transtec).....		1	BW35.OHK01
Kit	Overhaul Kit All BW35 (Precision).....		1	BW35.OHK51
Kit	Overhaul Kit All BW40 (Transtec).....		1	BW40.OHK01
Kit	Gasket All BW35.....		1	BW35.GK01
Kit	Gasket & Rubber Kit All BW35..		1	BW35.GSK01
Kit	Gasket & Rubber Kit All BW40..		1	BW40.GSK01
GASKETS				
102F	Pan Gasket (Cork).....		1	BW35.GAS01
102F	Pan Gasket (Paper).....		1	BW35.GAS02
100A	Front Pump.....		1	BW35.GAS03
101F	Extension Housing (5/16).....		1	BW35.GAS04
101F	Extension Housing (7/16).....		1	BW35.GAS05
NI	Filter.....		1	BW35.GAS06
NI	Kickdown Cable (Screw in).....		1	BW35.GAS07
NI	Taxi Sender Gasket.....		1	BW35.GAS08
RUBBER COMPONENTS				
120A	Pump O Ring.....		1	BW35.SQR01
121B	Forward Clutch Outer.....		1	BW35.SQR02
122B	Forward Clutch Inner (BW35) ...		1	BW35.OR01
122B	Forward Clutch Inner (BW40/51).....		1	BW40.OR01
123C	High & Reverse Clutch Outer....		1	BW35.SQR03
124C	High & Reverse Clutch Inner ...		1	BW35.OR02
125F	Front Servo Piston Inner Small		1	BW35.OR06
125F	Front Servo Piston Inner Large		1	BW35.OR07
126F	Front Servo Piston Outer Small		1	BW35.OR03
126F	Front Servo Piston Outer Medium		1	BW35.OR04
126F	Front Servo Piston Outer Large		1	BW35.OR05
127F	Front Servo Cover Small.....		1	BW35.OR03
127F	Front Servo Cover Medium.....		1	BW35.OR04
127F	Front Servo Cover Large.....		1	BW35.OR05
127F	Front Servo Cover Early Lathe Cut Type		1	BW35.SQR04
128F	Rear Servo O Ring.....		1	BW35.OR08
NI	Pump Pick-up O Ring.....		1	BW35.OR09
METAL CLAD SEALS				
150A	Front Pump.....		1	BW35.MCS01
150A	Front Pump (Thin Type).....		1	BW37.MCS01
151F	Extension Housing (1.950" O.D.).....		1	BW35.MCS02
151F	Extension Housing (1.715" O.D.).....		1	BW35.MCS03
152F	Selector Shaft.....		1-2	BW35.MCS04
SEALING RINGS				
Kit	Sealing Ring Kit All BW35.....		1	BW35.SRK01
200D	Sungear Front Metal BW35 ..		2	BW35.SSR05
200D	Sungear Front Teflon BW35....		2	BW35.SSR02
201D	High & Reverse Clutch Drum....		3	BW35.SSR01
202D	Sungear Rear Teflon All.....		1	BW35.SSR03
203E	Output Shaft (Governor).....		3	BW35.SSR04

ILL NO.	DESCRIPTION	YEARS	QTY	PART NO
FRICTION PLATES				
Kit	Friction Plate (Alto).....		1	BW35.FRK51
250B	Forward Clutch Borg Warner Grooved Heavy Duty (OEM).....		3-5	BW35.FRP02
251C	High & Reverse Borg Warner Grooved Heavy Duty (OEM).....		3-5	BW35.FRP02
STEEL PLATES				
Kit	Steel Plate (Alto).....		1	BW35.STK51
300B	Forward Flat (1.70mm).....		2-4	BW35.STP01
300B	Forward Flat Oversize (2.00mm).....		A.R	BW35.STP04
301C	High & Reverse Dished.....		3-5	BW35.STP02
PRESSURE PLATES				
SPRINGS & CIRCLIPS				
410B	Diaphragm Spring Heavy Duty .		1	BW35.DIA01
FILTERS				
Kit	Filter Kit BW40.....		1	BW40.FILKIT01
NI	Filter Flat Type.....		1	BW35.FIL01
NI	Filter Scoop Type.....		1	BW35.FIL02
BANDS				
500C	Front Band Flexible.....		1	BW35.BAN01
500C	Front Band, USA 'T' Models (46mm Wide).....		1	BW35.BAN03
500C	Front Band, Rigid Grooved (Reline).....		1	BW35.BAN04
501D	Rear Band Rigid Heavy Duty....		1	BW35.BAN02
BUSHINGS				
Kit	Bush Kit.....		1	BW35.BK01
550A	Front Pump BW35.....		1	BW35.BUS01
551A	Pump Gear.....		1	BW35.BUS02
552A	Stator Front 26 Spline.....		1	BW35.BUS03
553A	Stator Rear (No Groove).....		1	BW35.BUS04
554A	Input Shaft BW35/40.....		1	BW35.BUS05
555C	High Clutch Drum Bush BW35..		1	BW35.BUS08
557D	Planet.....		1	BW35.BUS08
558E	Output Shaft (Grooved).....		1	BW35.BUS09
NI	Case (No Groove) BW35/40.....		1	BW35.BUS10
NI	Extension Housing (Babbit With Hole)		1	BW35.BUS11
NI	Rover 2000/2200 Crankshaft Pilot		1	BW35.BUS12

BORG WARNER 35 & 40

3 SPEED RWD



AUTOMATIC CHOICE



THE AUTOMATIC TRANSMISSION PARTS WAREHOUSE

ILL NO.	DESCRIPTION	YEARS	QTY	PART NO
THRUST WASHERS & BEARINGS				
600A	Thrust Washer Input Shaft to Pump		1	BW35.THR01
601B	Thrust Washer Forward Clutch Hub		1	BW35.THR02
602B	Thrust Washer Forward Clutch to Top & Reverse Clutch (Bronze)		1	BW35.THR03
603B	Thrust Washer Forward Clutch to Top & Reverse Clutch (Steel)....		1	BW35.THR04
651D	Sungear Needle Bearing (1.55mm).....		2	BW35.TOR01
652D	Sungear Needle Bearing (3.13mm).....		1	BW35.TOR02
653D	Needle Roller Plate (Sun Gear)		1	BW35.THR06
654E	Planetary Needle Bearing 1.55mm		1	BW35.TOR03
ELECTRICAL COMPONENTS				
700F	Inhibitor Switch		1	BW35.ELE01
VALVE BODY PARTS				
HARD PARTS				
805B	Forward Clutch Hub BW35		1	BW35.HUB01
806B	Forward Clutch BW35.....		1	BW35.PIS01
806B	Forward Clutch BW40/51.....		1	BW40.PIS01
813D	One Way Clutch (Sprag) (30 Cam)		1	BW35.OWC01
NI	Parking Pawl..... All		1	BW35.RET01
SPECIAL ITEMS				
NI	Rover 2000 Drive Plate H/D.....		1	BW35.FP01
TOOLS & MANUALS				

ILL NO.	DESCRIPTION	YEARS	QTY	PART NO
---------	-------------	-------	-----	---------