

# BTR (ION), 72LE, 74LE, 93LE, 97LE

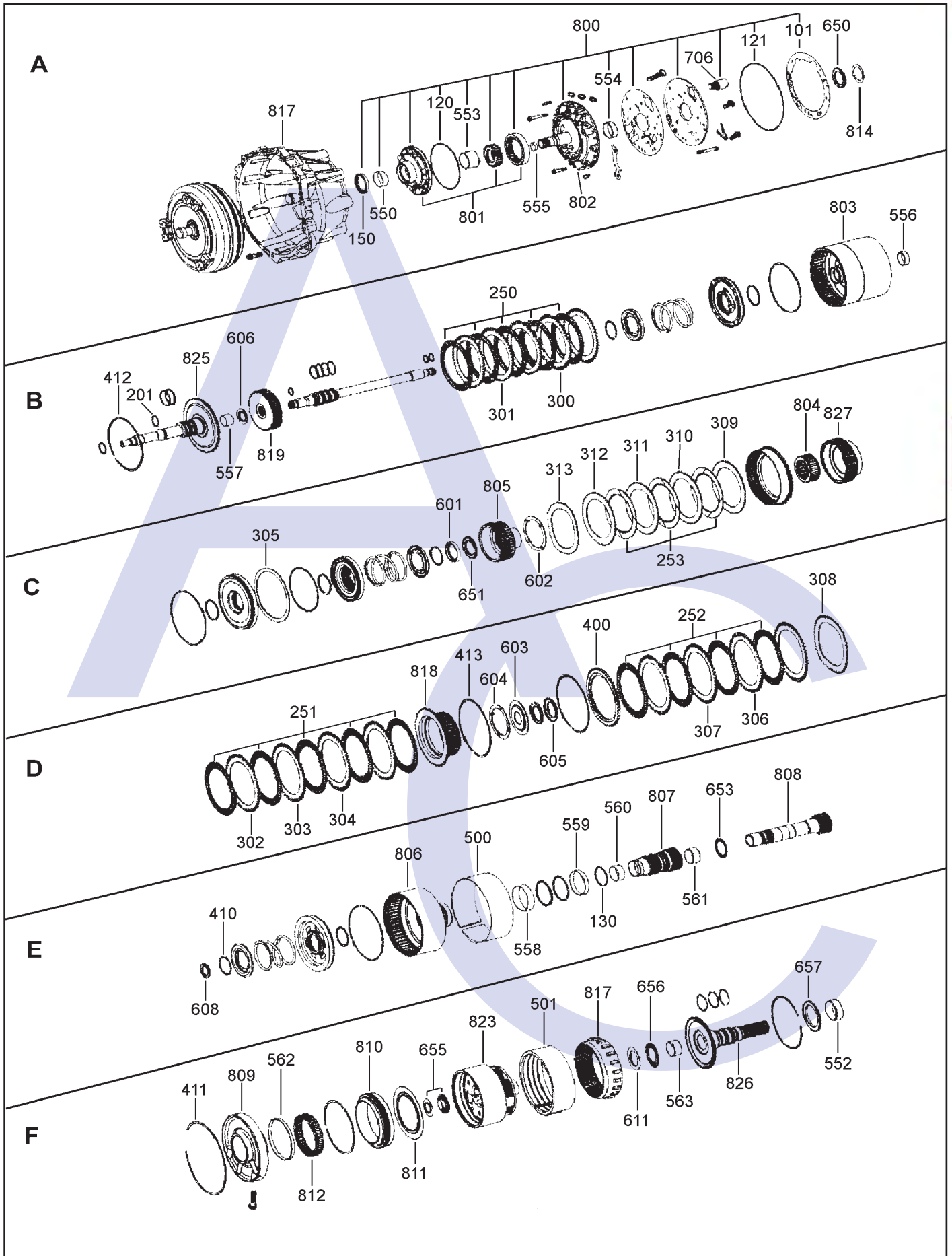
72LE Fitted to Maserati, 93LE/95LE Fitted to Ford Falcon BA/BF RWD & 4WD (Electronic Control) 74LE Fitted to Ssang Yong 4WD Range.



AUTOMATIC CHOICE



THE AUTOMATIC TRANSMISSION PARTS WAREHOUSE



# BTR (ION), 72LE, 74LE, 93LE, 97LE

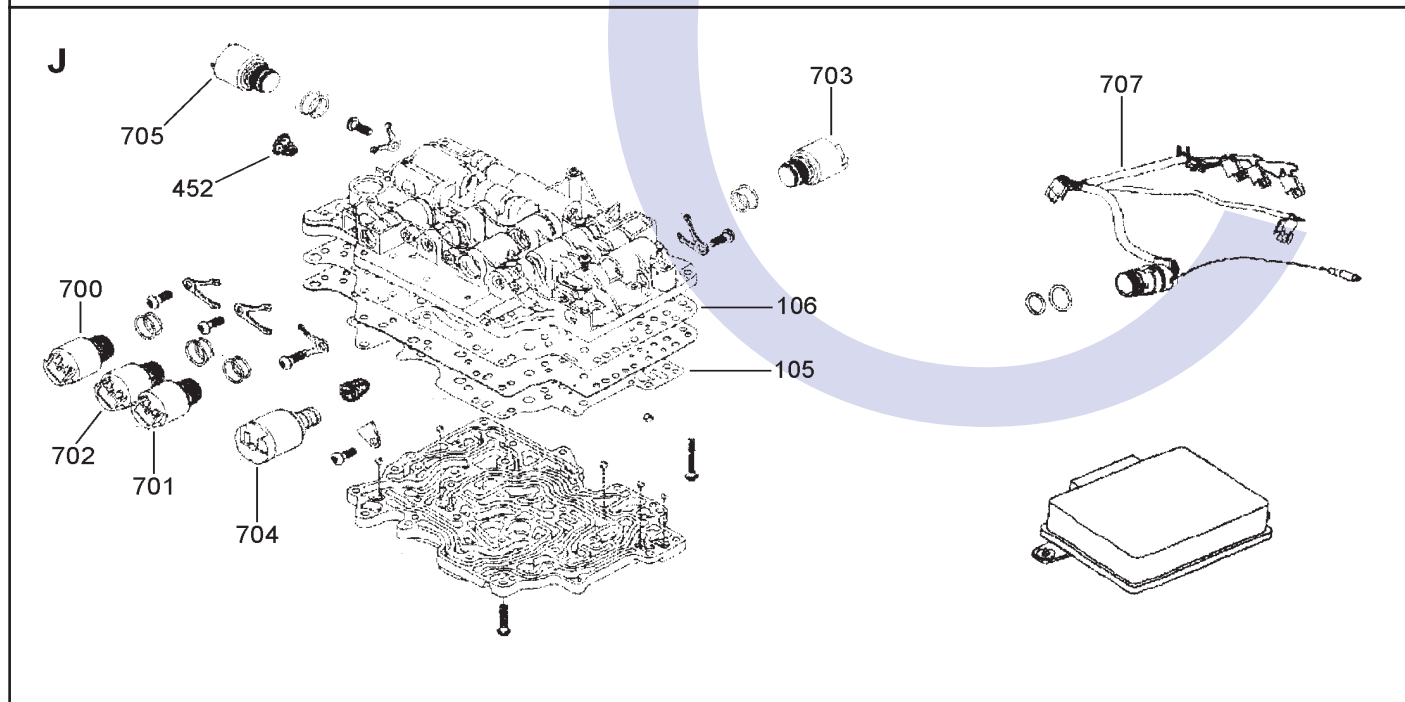
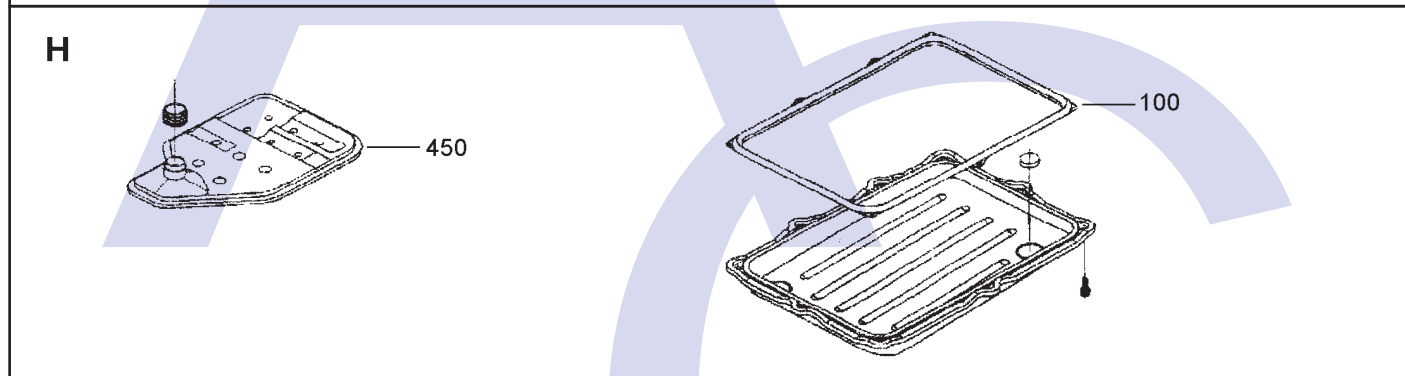
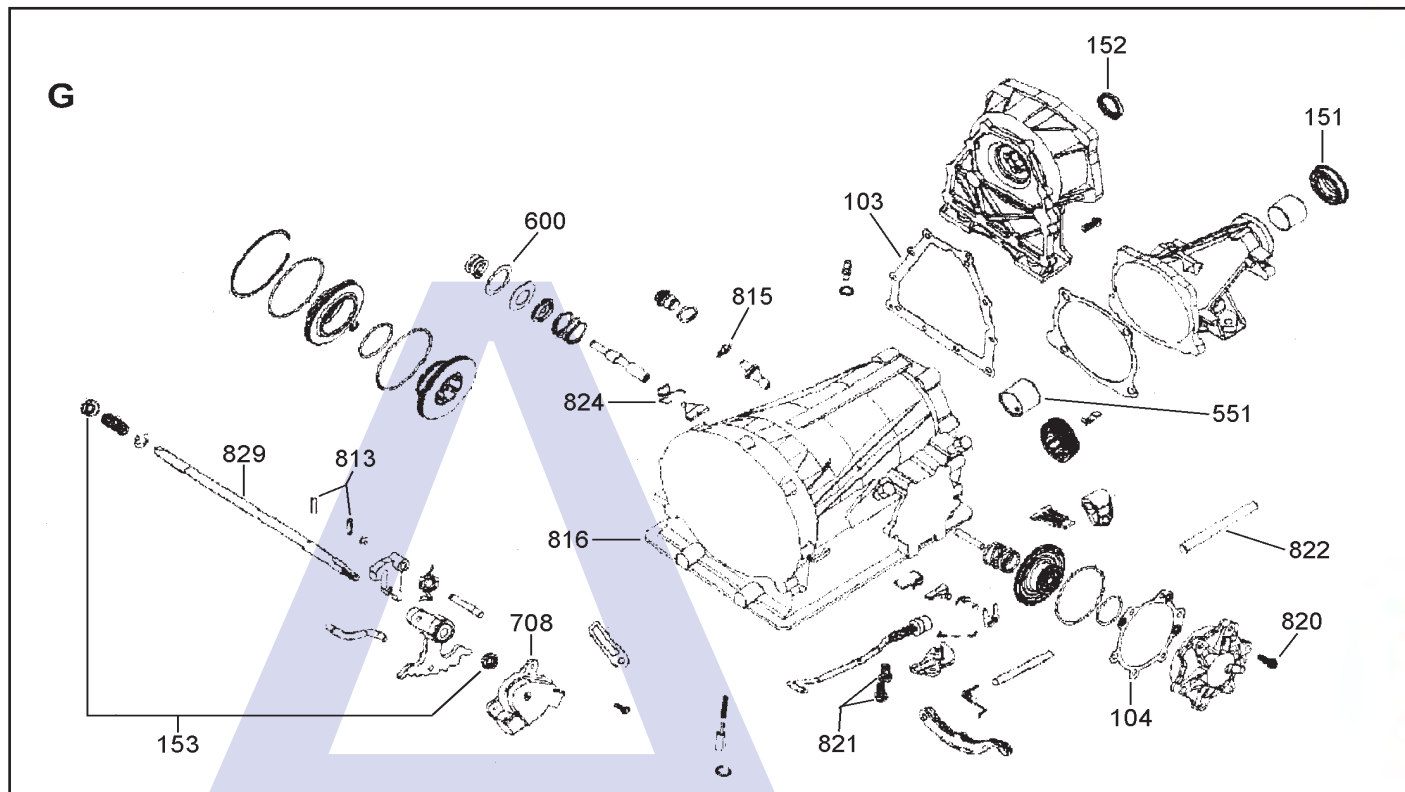
72LE Fitted to Maserati, 93LE/95LE Fitted to Ford Falcon BA/BF RWD & 4WD (Electronic Control) 74LE Fitted to Ssang Yong 4WD Range.



AUTOMATIC CHOICE



THE AUTOMATIC TRANSMISSION PARTS WAREHOUSE



# BTR (ION), 72LE, 74LE, 93LE, 97LE

72LE Fitted to Maserati, 93LE/95LE Fitted to Ford Falcon BA/BF RWD & 4WD (Electronic Control) 74LE Fitted to Ssang Yong 4WD Range.



AUTOMATIC CHOICE



THE AUTOMATIC TRANSMISSION PARTS WAREHOUSE

ILL NO.	DESCRIPTION	YEARS	QTY	PART NO
<b>KITS</b>				
Kit	Overhaul Kit (72LE Maserati)....	All	1	<b>BTR72.OHK01</b>
Kit	Overhaul Kit (74LE) .....	All	1	<b>BTR74.OHK01</b>
Kit	Overhaul Kit (85, 93 & 97LE) (Transtec).....	All	1	<b>BTR85.OHK01</b>
Kit	Overhaul Kit (85, 93 & 97LE) (Precision).....	All	1	<b>BTR85.OHK51</b>
Kit	Overhaul Kit (93/97LE, Transtec) (BA/BF Falcon) .....	02-ON	1	<b>BTR93.OHK01</b>
<b>GASKETS</b>				
100H	Oil Pan .....	All	1	<b>BTR74.GAS01</b>
101A	Pump to Case Gasket (72LE)...	All	1	<b>BTR72.GAS02</b>
103G	Adaptor Housing Gasket (74LE) .....	All	1	<b>BTR74.GAS02</b>
103G	Adaptor Housing Gasket (72LE) .....	All	1	<b>BTR72.GAS03</b>
104G	Rear Servo Cover (Aluminum)..	All	1	<b>BTR74.GAS07</b>
105J	Valve Body Upper (74LE) .....	All	1	<b>BTR74.GAS05</b>
105J	Valve Body Upper (72LE) .....	All	1	<b>BTR72.GAS04</b>
106J	Valve Body Lower (74LE) .....	All	1	<b>BTR74.GAS06</b>
106J	Valve Body Lower (72LE) .....	All	1	<b>BTR72.GAS05</b>
<b>RUBBER COMPONENTS</b>				
120A	'O' Ring, Pump Body to Cover ..	89-ON	1	<b>BTR85.OR01</b>
121A	'O' Ring, Pump Cover to Case..	89-ON	1	<b>BTR85.OR02</b>
130E	'O' Ring Reverse Sun Gear .....	All	1	<b>BTR74.OR05</b>
<b>METAL CLAD SEALS</b>				
150A	Converter Seal .....	All	1	<b>BTR74.MCS01</b>
151G	Extension Housing (93/97LE) ...	All	1	<b>BTR85.MCS02</b>
151G	Extension Housing (72LE) .....	All	1	<b>BTR72.MCS02</b>
152G	Adaptor Housing (74LE) .....	All	1	<b>BTR74.MCS03</b>
153G	Manual Shaft.....	All	2	<b>BTR74.MCS03</b>
<b>SHAFT SEALING RINGS</b>				
201B	Input Shaft Small (74LE, OEM)	All	1	<b>BTR74.SSR01</b>
<b>FRICITION PLATES</b>				
Kit	Friction Plate (Alto) .....	90-ON	1	<b>BTR.FRK51</b>
250B	'C1' Clutch .....	All	5	<b>BTR74.FRP01</b>
251D	'C2' Clutch.....	All	5	<b>BTR74.FRP01</b>
252D	'C3' Clutch.....	All	4	<b>BTR74.FRP01</b>
253C	'C4' Clutch.....	All	3	<b>BTR74.FRP02</b>
<b>STEEL PLATES</b>				
Kit	Steel Plate (Alto).....	All	1	<b>BTR.STK51</b>
300B	'C1' Clutch (2.00mm Sel) .....	All	AR	<b>BTR74.STP01</b>
301B	'C1' Clutch (2.25mm Sel) .....	All	2	<b>BTR74.STP02</b>
302D	'C2' Clutch (1.80mm Sel) .....	All	AR	<b>BTR74.STP04</b>
303D	'C2' Clutch (2.00mm Sel) .....	All	2	<b>BTR74.STP01</b>
304D	'C2' Clutch (2.25mm Sel) .....	All	2	<b>BTR74.STP02</b>
305C	'C2' Clutch Wave Plate (93/97LE) .....	All	1	<b>BTR85.STP01</b>
305C	'C2' Clutch Wave Plate (74LE)..	All	1	<b>BTR74.STP09</b>
306D	'C3' Clutch (2.00mm Sel) .....	All	AR	<b>BTR74.STP01</b>
307D	'C3' Clutch (2.25mm Sel) .....	All	2	<b>BTR74.STP02</b>
308D	'C3' Clutch Wave Plate .....	All	1	<b>BTR74.STP03</b>
309C	'C4' Clutch (1.70mm Sel) .....	All	AR	<b>BTR74.STP06</b>
310C	'C4' Clutch (2.20mm Sel) .....	All	1	<b>BTR74.STP10</b>

ILL NO.	DESCRIPTION	YEARS	QTY	PART NO
<b>STEEL PLATES Cont.....</b>				
311C	'C4' Clutch (1.40mm Sel) .....	All	1	<b>BTR74.STP08</b>
312C	'C4' Clutch (1.80mm Sel) .....	All	1	<b>BTR74.STP05</b>
313C	'C4' Clutch Wave Plate .....	All	1	<b>BTR74.STP07</b>
<b>BUSHES</b>				
550A	Pump Body (White Metal.) .....	All	1	<b>BTR74.BUS01</b>
551G	Case Sleeve-Steel (Use Locktite 601).....	All	1	<b>BTR74.BUS??</b>
552F	Case Bush (White Metal) .....	All	1	<b>BTR74.BUS02</b>
553A	Pump Drive Gear (19mm Wd) ..	All	1	<b>BTR74.BUS03</b>
554A	Pump Rear Cover .....	All	1	<b>BTR74.BUS04</b>
555A	Converter Support (Front).....	All	1	<b>BTR74.BUS05</b>
556B	Cylinder Assy ('C1, 2 & 4') .....	All	1	<b>BTR74.BUS06</b>
557B	Input Shaft.....	All	1	<b>BTR74.BUS07</b>
558E	Cylinder Assy White Metal ( 'C3' Front 74/93LE).....	All	1	<b>BTR74.BUS08</b>
558E	Cylinder Assy Bronze H/Duty ( 'C3' Front 97LE).....	All	1	<b>BTR85.BUS08</b>
559E	Cylinder Assy White Metal ( 'C3' Rear 74/93LE) .....	All	1	<b>BTR74.BUS09</b>
559E	Cylinder Assy Bronze H/Duty ( 'C3' Rear 97LE) .....	All	1	<b>BTR85.BUS09</b>
560E	Reverse Sun Gear (Front) .....	All	1	<b>BTR74.BUS10</b>
561E	Reverse Sun Gear (Rear) .....	All	1	<b>BTR74.BUS11</b>
562F	Centre Support.....	All	1	<b>BTR74.BUS12</b>
563F	Output Shaft (93/97LE) .....	All	1	<b>BTR85.BUS13</b>
563F	Output Shaft (74LE).....	All	1	<b>BTR74.BUS13</b>
<b>THRUST WASHERS AND BEARINGS</b>				
600G	Front Servo T. Washer .....	All	1	<b>BTR74.THW08</b>
601C	Thrust Plate ('C1/2' Clutch Cylinder to 'C4/1' Hub).....	All	1	<b>BTR74.THW09</b>
602C	Thrust Washer-Nylon ( 'C4' Hub to Outer Race) .....	All	1	<b>BTR74.THW03</b>
603D	Thrust Plate (Inner Race to Needle Bearing) All		1	<b>BTR74.THW02</b>
604D	Thrust Washer-Nylon ( 'C3' Hub to Thrust Plate).....	All	1	<b>BTR74.THW03</b>
605D	Thrust Plate (Needle Bearing to Reverse Sun Gear) .....	All	1	<b>BTR74.THW04</b>
606B	Thrust Washer-Bronze ( 'C1' Clutch Hub to I. Shaft) .....	All	1	<b>BTR74.THW10</b>
604D	Thrust Washer-Nylon ( 'C3' Hub to Thrust Plate).....	All	1	<b>BTR74.THW03</b>
NI	Thrust Washer (1) (Reverse Sun Gear to 'C3' Drum) 74LE ...	All	1	<b>BTR74.THW01</b>
608E	Spacer Thrust-Nylon (O. D. Shaft to Fwd Sun Gear)..	All	1	<b>BTR74.THW11</b>
NI	Thrust Washer #7 (Fwd Sun Gear to Rev Sun Gear) 74LE.....	All	1	<b>BTR74.THW05</b>
NI	Thrust Washer Lipped (Fwd S Gear to Rev S. Gear) 74LE.....	All	1	<b>BTR74.THW06</b>
611F	Thrust Washer (Planet Cover to Output Shaft).....	All	1	<b>BTR74.THW12</b>
650A	Bearing Assy #4 (Pump-I. Shaft)All		1	<b>BTR74.TOR04</b>
651C	Bearing Assy #5 ('C1/2' Clutch Cylinder to 'C4/1' Hub).....	All	1	<b>BTR74.TOR01</b>
653E	Bearing Assy #7 (Fwd Sun Gear to Reverse Sun Gear) 74LE.....	All	1	<b>BTR74.TOR02</b>
655F	Bearing Assy #8 (Fwd Sun Gear to Planet Cover) .....	All	1	<b>BTR74.TOR05</b>
656F	Bearing Assy #9 (Planet Cover to Output Shaft).....	All	1	<b>BTR74.TOR06</b>



# BTR (ION), 72LE, 74LE, 93LE, 97LE

72LE Fitted to Maserati, 93LE/95LE Fitted to Ford Falcon BA/BF RWD & 4WD (Electronic Control) 74LE Fitted to Ssang Yong 4WD Range.



AUTOMATIC CHOICE



THE AUTOMATIC TRANSMISSION PARTS WAREHOUSE

ILL NO.	DESCRIPTION	YEARS	QTY	PART NO
<b>THRUST WASHERS AND BEARINGS Cont...</b>				
657F	Bearing Assy (Output Shaft to Case) .....	All	1	BTR74.TOR03
NI	Bearing Assy (Output Shaft to Ext Case) <b>72LE</b> only 42mm x 35mm x 16mm .....	All	1	BTR72.BE01
<b>(1) Must be used with BTR74.DRU01</b>				
<b>FILTERS</b>				
450H	Filter Assy <b>93/97LE</b> .....	All	1	BTR85.FIL01
450H	Filter Assy <b>72LE &amp; 74LE</b> .....	All	1	BTR74.FIL01
NI	Filter Retaining Clip .....	All	1	BTR74.CL01
452J	Solenoid Filter .....	All	2	BTR74.FIL02
<b>BRAKE BANDS</b>				
500E	Front Band (Flex) .....	All	1	BTR74.BAN01
500E	Front Band (Flex <b>72LE</b> ) .....	All	1	BTR74.BAN01
501F	Rear Band (Solid) <b>93/97LE</b> .....	All	1	BTR85.BAN02
501F	Rear Band (Solid) <b>74LE</b> .....	All	1	BTR74.BAN02
<b>ELECTRICAL COMPONENTS</b>				
700J	Shift Solenoid (S2) .....	All	1	BTR74.SOL01
701J	Shift Solenoid (S1) .....	All	1	BTR74.SOL01
701J	Shift Solenoid (S1) <b>72LE</b> .....	All	1	BTR72.SOL01
702J	Shift Solenoid (S3) .....	All	1	BTR74.SOL01
703J	Shift Solenoid (S4) .....	All	1	BTR74.SOL01
704J	Press Solenoid (S5) <b>93/97LE</b> ...	All	1	BTR85.SOL01
704J	Press Solenoid (S5) <b>74LE</b> .....	All	1	BTR74.SOL02
704J	Press Solenoid (S5) <b>72LE</b> .....	-02	1	BTR72.SOL02
704J	Press Solenoid (S5) <b>72LE</b> .....	02-ON	1	BTR74.SOL02
705J	Shift Solenoid (S6) .....	All	1	BTR74.SOL01
706A	Shift Solenoid (S7/Lock Up) .....	All	1	BTR74.SOL01
707J	V. Body Loom <b>74LE</b> (10 Pin Round Plug) .....	All	1	BTR74.ELE01
707J	V. Body Loom <b>74LE</b> (10 Pin Black Oblong Plug) .....	All	1	BTR74.ELE03
708G	Range Switch ( <b>M93, 97LE</b> ) .....	All	1	BTR74.ELE04
708G	Range Switch, White ( <b>M74LE</b> ) ..	All	1	BTR74.ELE05
NI	Connector, S7/L.Up Solenoid ...	All	1	BTR74.ELE02
<b>HARD PARTS</b>				
800A	Pump & Cover Assy ( <b>74LE</b> ) .....	All	1	BTR74.PUM01
800A	Pump & Cover Assy ( <b>72LE</b> ) (Maserati) .....	All	1	BTR72.PUM01
801A	Pump Body and Gears (Also fits Ford Falcon BA/BF) ( <b>74LE, 93LE, 95LE</b> ) .....	All	1	BTR74.PUM02
802A	Cover Assy Pump ( <b>74LE</b> ) .....	All	1	BTR74.PUM03
803B	'C1/2/4' Cylinder Assy ( <b>74LE</b> ) ...	All	1	BTR74.DRU02
804C	One Way Clutch-Front ( <b>74LE</b> ) ..	all	1	BTR74.OWC01
805C	Hub & Inner Race 'C4' Clutch ( <b>74LE</b> ) .....	All	1	BTR74.HUB01
806E	'C3' Cylinder Assy <b>(1) (74LE)</b> .....	All	1	BTR74.DRU01
807E	Reverse Sun Gear ( <b>74LE</b> ) .....	All	1	BTR74.SUN01
807E	Rev Sun Gear, No Groove ( <b>93LE</b> ) All		1	BTR93.SUN02
808E	Fwd Sun Gear ( <b>74LE</b> ) .....	All	1	BTR74.SUN02
808E	Fwd Sun Gear ( <b>93LE</b> ) .....	All	1	BTR93.SUN01
809F	Centre Support Assy .....	All	1	BTR74.SUP01
810F	Outer Race Rear O.W.C. .....	All	1	BTR74.OWC03
811F	Retainer Rear O.W.C. .....	All	1	BTR74.OWC04
812F	One Way Clutch-Rear .....	All	1	BTR74.OWC05
813G	Pin Selector Shaft ( <b>74LE</b> Two Required) .....	All	1-2	BTR74.PIN01

ILL NO.	DESCRIPTION	YEARS	QTY	PART NO
<b>HARD PARTS CONT...</b>				
814A	Shim Transmission End Float (0.127mm Input to Stator) .....	All	Sel	BTR74.SHI01
814A	Shim Transmission End Float (0.254mm Input to Stator) .....	All	Sel	BTR74.SHI02
814A	Shim Transmission End Float (0.197mm Input to Stator) .....	All	Sel	BTR74.SHI03
815G	Shim-Band Adjustment (0.95 - 1.05mm <b>74LE</b> ) .....	All	AR	BTR74.SHI04
815G	Shim-Band Adjustment (1.15 - 1.25mm <b>74LE</b> ) .....	All	AR	BTR74.SHI05
815G	Shim-Band Adjustment (1.44 - 1.58mm <b>74LE</b> ) .....	All	AR	BTR74.SHI06
815G	Shim-Band Adjustment (1.73 - 1.87mm <b>74LE</b> ) .....	All	AR	BTR74.SHI07
815G	Shim-Band Adjustment (1.93 - 2.07mm <b>74LE</b> ) .....	All	AR	BTR74.SHI08
815G	Shim-Band Adjustment (2.12 - 2.28mm <b>74LE</b> ) .....	All	AR	BTR74.SHI09
815G	Shim-Band Adjustment (2.42 - 2.58mm <b>74LE</b> ) .....	All	AR	BTR74.SHI10
815G	Shim-Band Adjustment (2.61 - 2.79mm <b>74LE</b> ) .....	All	AR	BTR74.SHI11
816G	Case Assy (Musso) 1st Version		1	BTR74.CAS01
816G	Case Assy (Musso) 2nd Version		1	BTR74.CAS04
817A	Converter Housing (Musso) .....		1	BTR74.CAS02
816G	Case Assy 2WD <b>74LE</b> .....		1	BTR74.CAS03
817F	Output Annulus .....		1	BTR74.GE01
818D	Hub 'C3' Clutch Rear <b>(Must Use With BTR74.PP01)</b> ..		1	BTR74.HUB02
819B	Hub Overdrive Clutch .....		1	BTR74.HUB03
820G	Rear Servo Cover Bolt .....		6	BTR74.NUT01
821G	Park Cam Plate Retainig Bolt ...		2	BTR74.NUT02
822G	Pivot Pin Rear Servo .....		1	BTR74.PIN02
823F	Planetary Set <b>74LE</b> .....		1	BTR74.PL01
824G	Retaining Clip Front Servo Anchor		1	BTR74.RET01
825B	Input Shaft .....		1	BTR74.SH01
826F	Output Shaft <b>74LE</b> .....		1	BTR74.SH02
827C	Hub, 'C2' Clutch .....		1	BTR74.HUB04
829G	Manual Shaft (6 Cylinder) .....		1	BTR74.SH03
829G	Manual Shaft (V8 Engines) .....		1	BTR74.SH04
<b>(1) Must Use BTR74.THW01</b>				
<b>SPRINGS &amp; CIRCLIPS</b>				
410E	Snap Ring 'C3' Spring Retainer		1	BTR74.CIR01
411F	Snap Ring Centre Support Retaining		1	BTR74.CIR02
412B	Snap Ring 'C1' Clutch Retaining		1	BTR74.CIR03
413D	Snap Ring 'C2' Clutch Retaining		1	BTR74.CIR03
<b>PRESSURE PLATES</b>				
400D	'C3' Pressure Plate <b>(Must Use With BTR74.HUB02)</b>		1	BTR74.PP01
<b>Most other parts are obtainable for this transmission on request</b>				