

TOYOTA U140E, U140F 98-ON

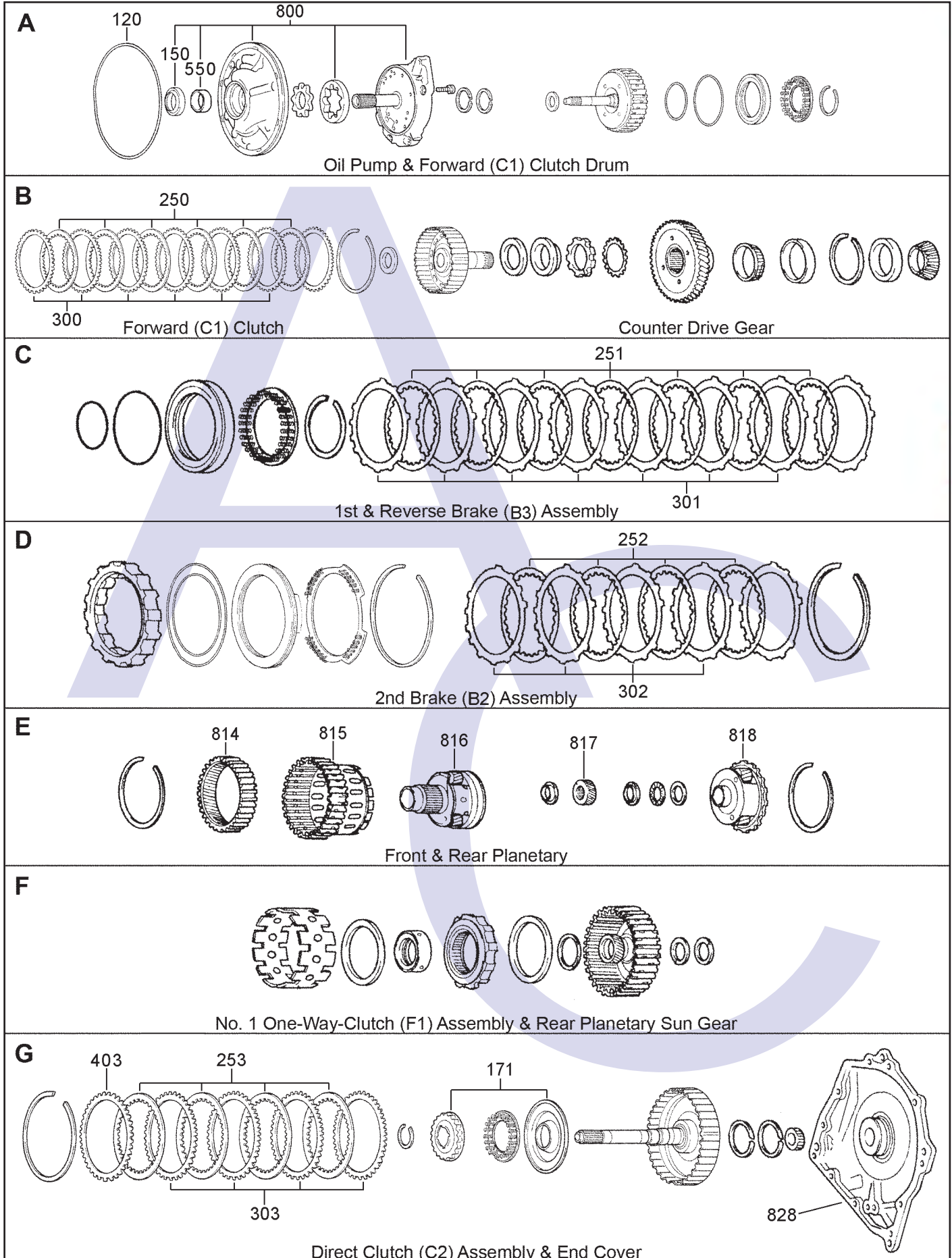
4 SPEED FWD & AWD (Electronic Control)



AUTOMATIC CHOICE



THE AUTOMATIC TRANSMISSION PARTS WAREHOUSE



TOYOTA U140E, U140F 98-ON

4 SPEED FWD & AWD (Electronic Control)

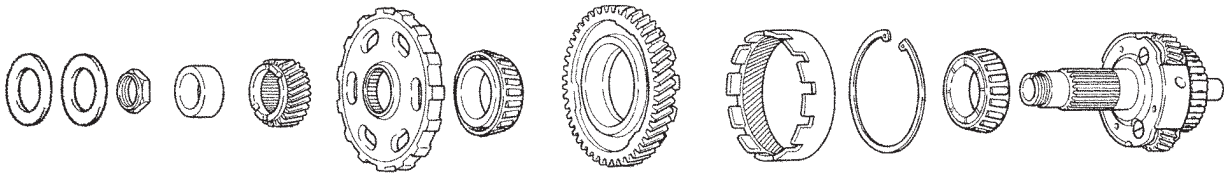


AUTOMATIC CHOICE



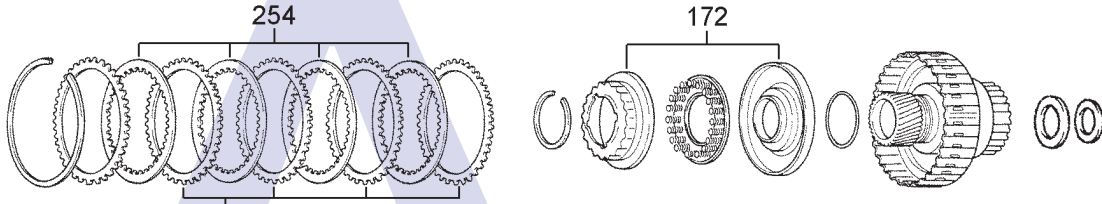
THE AUTOMATIC TRANSMISSION PARTS WAREHOUSE

H



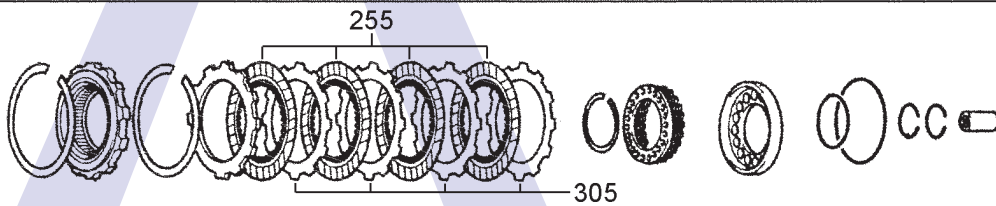
Underdrive Planetary Assembly

J



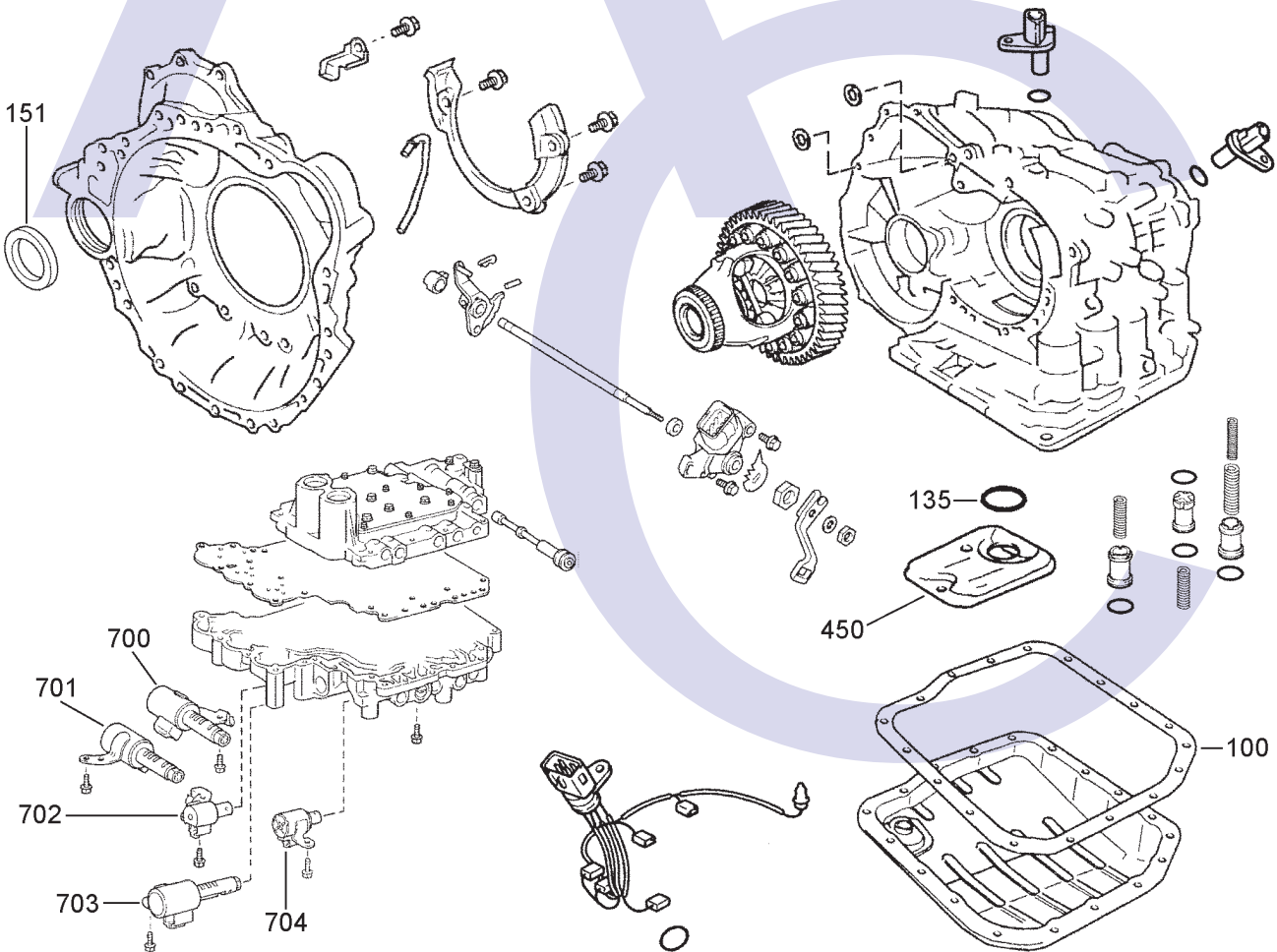
Underdrive Clutch (No.1) Assembly

K



No.2 One-Way-Clutch (F2) & Underdrive Clutch (No.2) Assembly

L



Maincase, Differential, Valve Body & Related Components

TOYOTA U140E, U140F 98-ON

4 SPEED FWD & AWD (Electronic Control)

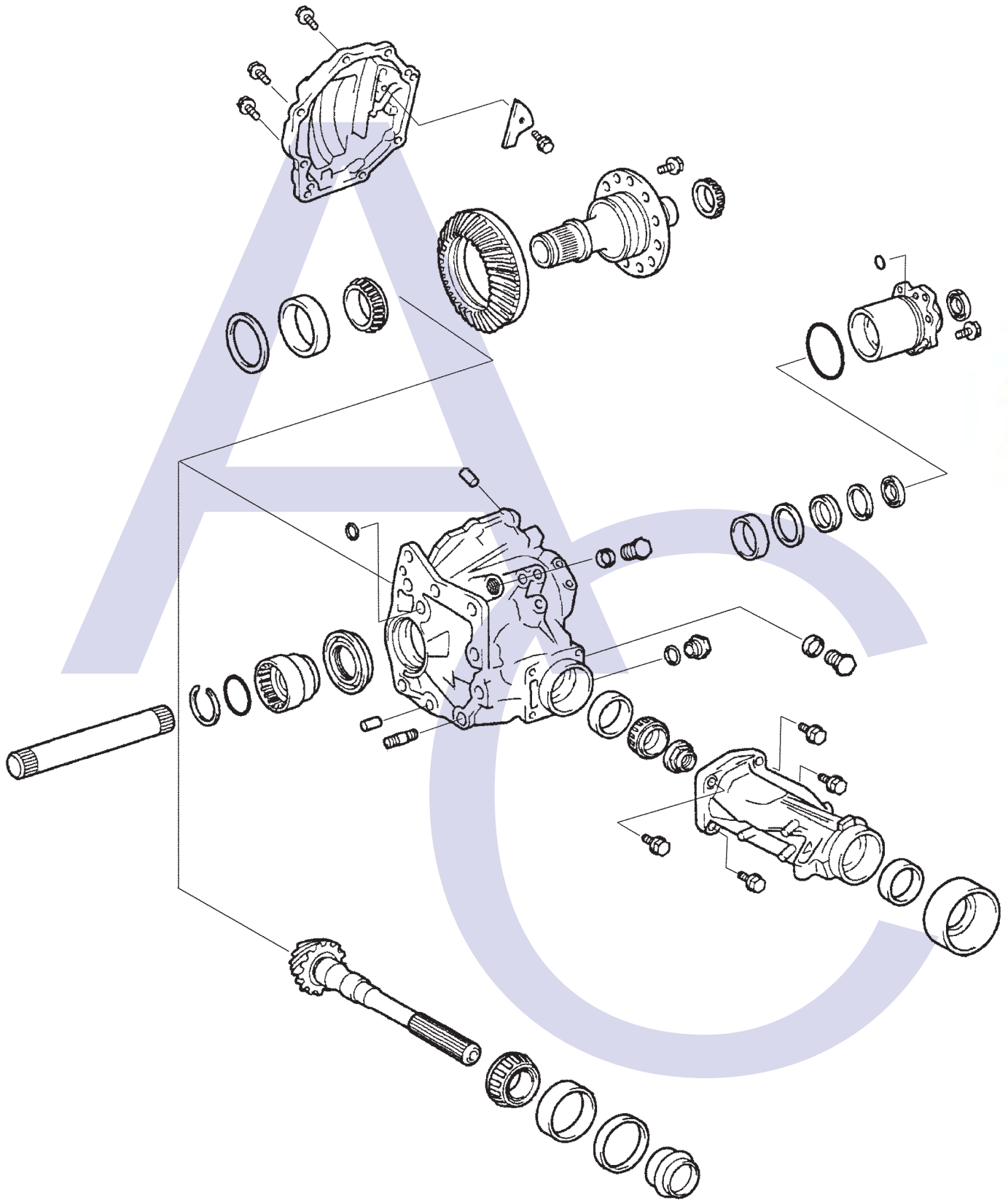


AUTOMATIC CHOICE



THE AUTOMATIC TRANSMISSION PARTS WAREHOUSE

M



Transfer Case Assembly

TOYOTA U140E, U140F 98-ON

4 SPEED FWD & AWD (Electronic Control)



AUTOMATIC CHOICE



THE AUTOMATIC TRANSMISSION PARTS WAREHOUSE

ILL NO.	DESCRIPTION	YEARS	QTY	PART NO
KITS				
Kit	Overhaul Kit (U140E/F) (Transtec).....	98-ON	1	U140.OHK01
Kit	Overhaul Kit (U140E/F) (Precision) With Pistons.....	98-02	1	U140.OHK51
Kit	Overhaul Kit (U140E/F & U150E/F) (Precision) Without Pistons.....	98-02	1	U140.OHK52
Kit	Transfer Case Kit (U140F/U150F).....	98-ON	1	U140.OHK02
GASKETS				
100L	Oil Pan (U140E/F).....	98-ON	1	U140.GAS01
RUBBER COMPONENTS				
120A	'O' Ring, Pump to Converter Housing.....	98-ON	1	U140.OR01
135L	'O' Ring, Filter to V. Body.....	98-ON	1	U140.OR02
METAL CLAD SEALS				
150A	Torque Converter/Pump.....	98-ON	1	BW55.MCS01
151L	Axle Right Hand (4WD U140F). ..	98-ON	1	U140.MCS03
MOULDED PISTONS				
NI	Forward 'C1' Piston Set (U140E Celica).....	98-ON	1	U140.PIS01
171G	Direct 'C2' Piston Set.....	98-ON	1	U140.PIS03
172J	Underdrive 'C3' Piston Set.....	98-ON	1	U140.PIS02
SEALING RINGS				
FRICTION PLATES				
Kit	Friction Plate (U140E/F)	98-ON	1	U140.FRK01
Kit	Friction Plate (U140E/F) (Alto)..	98-ON	1	U140.FRK51
250B	Forward (C1) Clutch (137mm OD x 1.80mm x 40T) ..	98-ON	6	U140.FRP01
251C	1st & Reverse (B3) Brake (162mm OD x 1.80mm x 40T) ..	98-ON	5-7	U140.FRP02
252D	2nd (B2) Brake (170mm OD x 1.80mm x 40T) ..	98-ON	3-4	U140.FRP03
253G	Direct (C2) Clutch (157mm OD x 1.80mm x 40T) ..	98-ON	4	U140.FRP04
254J	Underdrive (No.1) Clutch (125mm OD x 1.80mm x 40T) ..	98-ON	4	U140.FRP05
255K	Underdrive (No.2) Clutch (117.6mm OD x 1.80mm x 28T) ..	98-ON	4	U140.FRP06
STEEL PLATES				
Kit	Steel Plate (U140E/F)	98-ON	1	U140.STK01
Kit	Steel Plate (U140E/F) (Alto)	98-ON	1	U140.STK51
300B	Forward (C1) Clutch (114mm ID x 1.80mm x 40T)	98-ON	6	U140.STP01
301C	1st & Reverse (B3) Brake (143mm ID x 1.80mm x 12T)	98-ON	7	U140.STP02
301C	1st & Reverse (B3) Brake (Alto) (143mm ID x 1.80mm x 12T)	98-ON	7	U140.STP07
302D	2nd (B2) Brake (143mm ID x 2.00mm x 12T)	98-ON	4	U140.STP03

ILL NO.	DESCRIPTION	YEARS	QTY	PART NO
STEEL PLATES Cont...				
302D	2nd (B2) Brake (Alto) (143mm ID x 2.00mm x 12T)	98-ON	4	U140.STP08
303G	Direct (C2) Clutch (141mm ID x 3.00mm x 40T)	98-ON	4	U140.STP04
304J	Underdrive (No.1) Clutch (99mm ID x 2.00mm x 40T)	98-ON	4	U140.STP05
305K	Underdrive (No.2) Clutch (92mm ID x 1.80mm x 11T)	98-ON	4	U140.STP06
PRESSURE PLATES				
403G	Direct Clutch (3.00mm Thick)	98-ON	AR	U140.PP01
	(3.10mm Thick)	98-ON	AR	U140.PP02
	(3.20mm Thick)	98-ON	AR	U140.PP03
	(3.30mm Thick)	98-ON	AR	U140.PP04
	(3.40mm Thick)	98-ON	AR	U140.PP05
	(3.50mm Thick)	98-ON	AR	U140.PP06
	(3.60mm Thick)	98-ON	AR	U140.PP07
SPRINGS & CIRCLIPS				
FILTERS				
450L	Pan Filter (U140E/F) (Fits RAV4).....	98-ON	1	U140.FIL01
450L	Pan Filter (U140F) Lexus.....	98-ON	1	U140.FIL02
450L	Pan Filter (U140 Metal).....	98-ON	1	U140.FIL03
BUSHINGS				
Kit	Bushing Kit.....	98-ON	1	U140.BK01
550A	Pump Body	98-ON	1	BW55.BUS01
THRUST WASHERS & BEARINGS				
ELECTRICAL COMPONENTS				
700L	Line Pressure Control Solenoid (SLT) (White Connector).....	98-ON	1	U140.SOL05
701L	Clutch Control Solenoid No.1 (SL1) (White Connector) (SSA)	98-ON	1	U140.SOL01
702L	Lock-Up Control Solenoid (DSL) (Brown Connector) (SSE)	98-ON	1	U140.SOL04
703L	Clutch Control Solenoid No.2 (SL2) (Neutral Connector) (SSB).....	98-ON	1	U140.SOL02
704L	Solenoid 3-Way (S4) (Black Connector) (SSD)	98-ON	1	U140.SOL03
VALVE BODY PARTS				
Kit	Boost Valve & Sleeve Kit (Sonnax@ Click here for Info) ...	98-ON	1	U240.VA01
Kit	Lock Up Control Plunger Valve & Sleeve Kit (Sonnax@ Click here for Info) ...	98-ON	1	U240.VA02

TOYOTA U140E, U140F 98-ON

4 SPEED FWD & AWD (Electronic Control)



AUTOMATIC CHOICE



THE AUTOMATIC TRANSMISSION PARTS WAREHOUSE

ILL NO.	DESCRIPTION	YEARS	QTY	PART NO
VALVE BODY PARTS Cont...				
Kit	Clutch Apply Control Plunger Valve & Sleeve Kit (Sonnax® Click here for Info) ...	98-ON	1	U240.VA03
Kit	Solenoid Modulator Valve Kit (Requires U240.VA05 Toolkit & Valve Body Fixture AG4.VB05) (Sonnax® Click here for Info) ...	98-ON	1	U240.VA04
Kit	Reaming Tool for U240.VA05 (Sonnax®).....	98-ON	1	U240.VA05
Kit	Oversize Pressure Regulator & Boost Valve Kit (Requires Tool Kit U140.VA02) (Sonnax® Click here for Info) ...	98-ON	1	U140.VA01
Kit	Toolkit for U140.VA01	98-ON	1	U140.VA02
Kit	Oversize Secondary Regulator Valve Kit (Requires Tool Kit U150.VA04) (Sonnax® Click here for Info) ...	98-ON	1	U150.VA03
Kit	Tool Kit for U150.VA03).....	98-ON	1	U150.VA04
HARD PARTS				
800A	Pump Assembly (OEM).....	98-ON	1	U140.PUM01
814E	Annulus Gear (Front Planetary) 00-ON		1	U240.PL01
815E	Hub, Low & Reverse Brake (Gear set Shell).....	00-ON	1	U240.PL02
816E	Front Planetary (With Bush).....	00-ON	1	U240.PL03
817E	Front Sun Gear	00-ON	1	U240.SUN01
818E	Rear Planetary.....	00-ON	1	U240.PL04
828G	End Cover (2 Ring) Rebuilt.....	98-ON	1	U140.COV31
828G	End Cover (4 Ring) Rebuilt.....	98-ON	1	U140.COV32
SPECIAL ITEMS				
TOOLS & MANUALS				
NI	U140E Repair Manual (Lexus OEM).....	98-ON		U140.MAN01
NI	U140F Repair Manual.....	98-ON		U140.MAN02
NI	U140E/F/U240 Repair Manual (Combi Toyota/Lexus).....	98-ON		U140.MAN03

ILL NO.	DESCRIPTION	YEARS	QTY	PART NO
---------	-------------	-------	-----	---------