

AW50-40/42LE (AF14, 20, 22, 23)

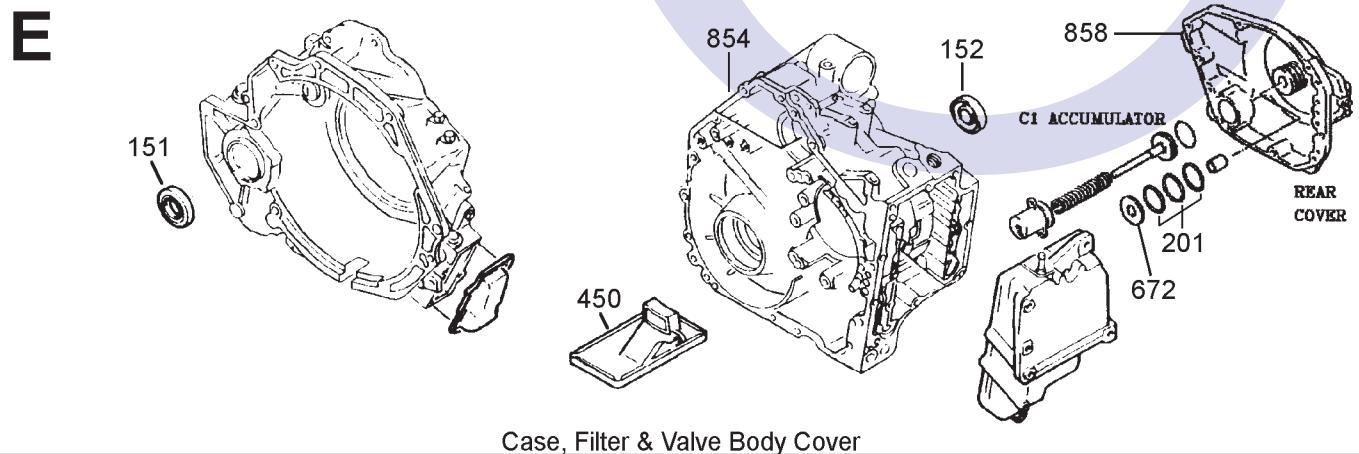
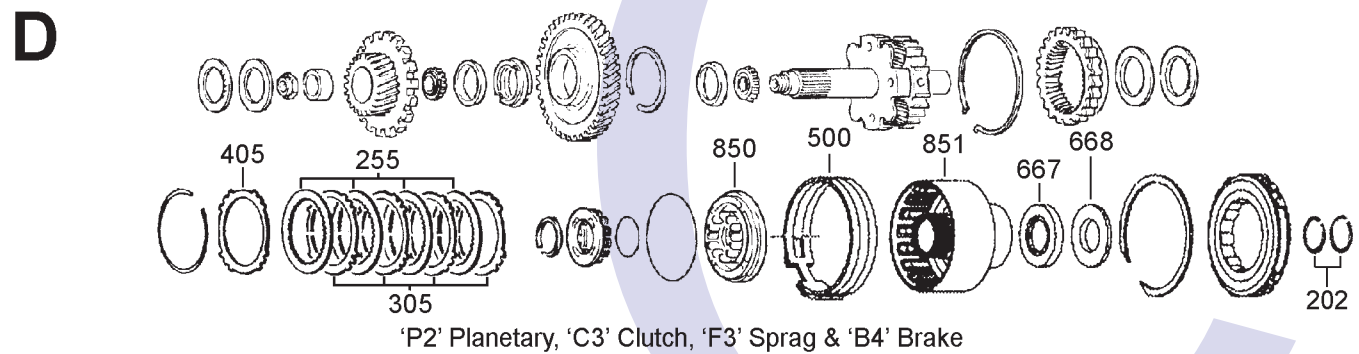
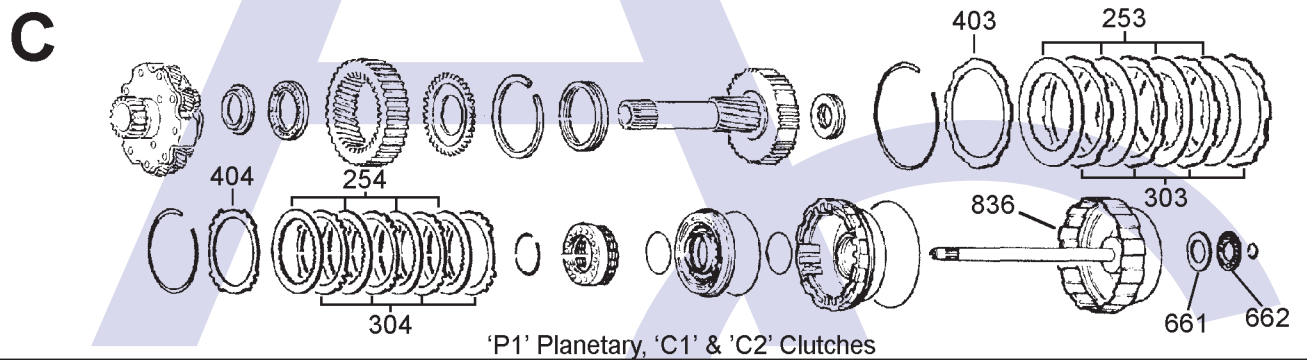
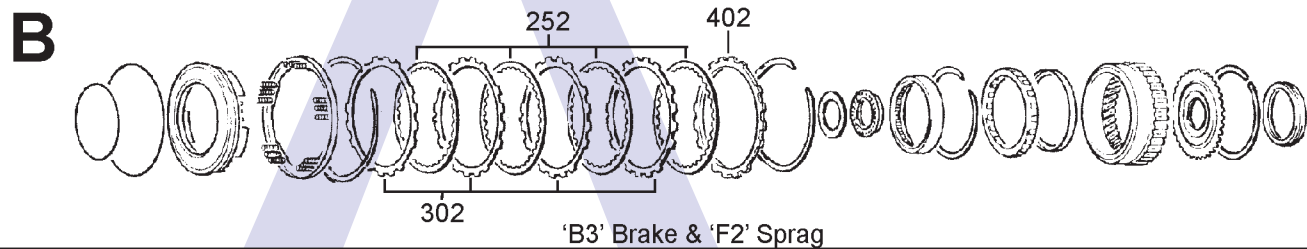
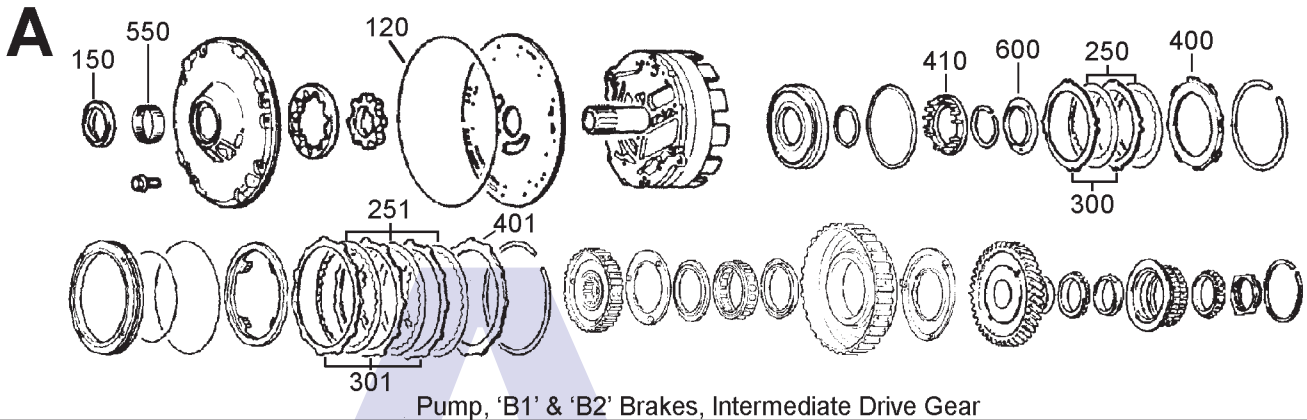
4 SPEED FWD (Electronic Control)



AUTOMATIC CHOICE



THE AUTOMATIC TRANSMISSION PARTS WAREHOUSE



AW50-40/42LE (AF14, 20, 22, 23)

4 SPEED FWD (Electronic Control)



AUTOMATIC CHOICE



THE AUTOMATIC TRANSMISSION PARTS WAREHOUSE

ILL NO.	DESCRIPTION	YEARS	QTY	PART NO
KITS				
Kit	Overhaul Kit AF14, 20, 22 (Bryco)	89-ON	1	AF20.OHK01
Kit	Overhaul Kit AF14, 20, 22 (Transtec).....	89-ON	1	AF20.OHK02
Kit	Overhaul Kit AF14 & 20 (Precision).....	89-ON	1	AF20.OHK53
Kit	Overhaul Kit AF22 Ecotec (Precision).....	96-ON	1	AF22.OHK01
Kit	Valve Body Gasket Kit (Complete)	89-ON	1	AF20.GK01
Kit	Valve Body Gasket Kit (Front)...	89-ON	1	AF20.GK02
Kit	Valve Body Gasket Kit (Rear) ...	89-ON	1	AF20.GK03
OGASKETS				
NI	Valve Body Cover Gasket AF14, 20, 22	89-ON	1	AF20.GAS10
NI	Valve Body Rear Spacer Plate Lower Gasket (AF14/20).....	89-ON	1	AF20.GAS01
NI	Valve Body Rear Spacer Plate Upper Gasket (AF14/20).....	89-ON	1	AF20.GAS02
NI	Valve Body Gasket Main Lower	89-ON	1	AF20.GAS03
NI	Valve Body Gasket Rear Upper (20NEJ, X25XE Engines).....	96-ON	1	AF20.GAS12
NI	Valve Body Gasket Main Upper Except 2.0 Ecotec/V6.....	96-ON	1	AF20.GAS04
NI	Valve Body Gasket Main Upper 2.0 Ecotec/V6 Only	96-ON	1	AF20.GAS05
NI	Valve Body Gasket (Ecotec) 1.8/2.0 Litre V Ident.....	96-ON	1	AF20.GAS06
NI	Valve Body Gasket (Ecotec) 1.8/2.0 Litre V Ident.....	96-ON	1	AF20.GAS07
NI	Valve Body Gasket (Ecotec) 1.8/2.0 Litre V Ident.....	96-ON	1	AF20.GAS08
NI	Valve Body Gasket (Ecotec) 1.8/2.0 Litre V Ident.....	96-ON	1	AF20.GAS09
NI	Cover Gasket (Small plate on valve body Held with 2 Bolts)	89-ON	1	AF20.GAS11
RUBBER COMPONANTS				
120A	Pump to case 'O' Ring	89-ON	1	AF20.OR01
METAL CLAD SEALS				
150A	Converter Seal All	89-ON	1	BW55.MCS01
151E	Driveshaft Left (GM).....	89-ON	2	TH125.MCS02
151E	Driveshaft Left (Volvo).....	89-ON	2	AF20.MCS02
152E	Driveshaft Right (GM)	89-ON	2	TH125.MCS02
152E	Driveshaft Right (Volvo)	89-ON	2	AF20.MCS02
SEALING RINGS				
201E	End Cover	89-ON	3	AF20.SSR01
202D	'C3' Clutch.....	89-ON	2	AF20.SSR02
FRICTION PLATES				
Kit	Friction Plate (OEM) (AF14 & AF20, 50-40/42LE).....	89-ON	1	AF20.FRK01
Kit	Friction Plate (OEM) (AF22 Ecotec).....	96-ON	1	AF20.FRK02
Kit	Friction Plate (Alto) (50-40/42LE/LM, AF20/22).....	89-97	1	AF20.FRK51
Kit	Friction Plate (Alto) (50-40/42LE)	99-ON	1	AF20.FRK52
Kit	Friction Plate (Alto) (50-42LM)	99-ON	1	AF20.FRK53

ILL NO.	DESCRIPTION	YEARS	QTY	PART NO
FRICTION PLATES Cont...				
250A	B1 (2nd Coast) (OEM) (107mm OD x 1.70mm x 34T)	89-ON	2	AF20.FRP01
250A	B1 (2nd Coast) (Alto) (107mm OD x 1.70mm x 34T)	89-ON	2	AF20.FRP51
251A	B2 (2nd Brake) (OEM) (160mm Grooved 33 Teeth)	89-ON	2	AF20.FRP02
251A	B2 (2nd Brake) (Alto) (160mm Grooved 33 Teeth)	89-ON	2	AF20.FRP52
251A	B2 (2nd Brake) Smooth V6 Only (AM) (160mm OD x 1.90mm x 40T) ..	89-ON	4	AF20.FRP06
251A	B2 (2nd Brake) Smooth V6 Only (Alto) (160mm OD x 1.90mm x 40T) ..	89-ON	4	AF20.FRP56
251A	B2 (2nd Brake) (OEM) (160mm OD x 1.70mm x 40T) ..	99-ON	4	AF20.FRP07
251A	B2 (2nd Brake) (Alto) (160mm OD x 1.70mm x 40T) ..	99-ON	4	AF20.FRP57
252B	B3 (Low & Rev) (OEM) (160mm x 1.70mm x 33 Teeth) ..	89-ON	5	AF20.FRP03
252B	B3 (Low & Rev) (Alto) (160mm x 1.70mm x 33 Teeth) ..	89-ON	5	AF20.FRP53
253C	C1 (Forward) (OEM) (138mm OD x 1.70mm x 46T) ..	89-ON	4	AF20.FRP04
253C	C1 (Forward) (Alto) (138mm OD x 1.70mm x 46T) ..	89-ON	4	AF20.FRP54
254C	C2 (Direct) (OEM) (107mm OD x 1.70mm x 34T) ..	89-ON	4	AF20.FRP01
254C	C2 (Direct) (Alto) (107mm OD x 1.70mm x 34T) ..	89-ON	4	AF20.FRP51
255D	C3 (Underdrive) (OEM) (107mm OD x 1.70mm x 34T) ..	89-ON	4	AF20.FRP01
255D	C3 (Underdrive) (Alto) (107mm OD x 1.70mm x 34T) ..	89-ON	4	AF20.FRP51
255D	C3 (Underdrive) (AF25 V6, Plus Some 2.2L Petrol & Diesel) (114mm OD x 1.75mm x 34T)...	96-ON	4	AF20.FRP05
255D	C3 (Underdrive) (AF25 V6, Plus Some 2.2L Petrol & Diesel) (114mm OD x 1.75mm x 34T)...	96-ON	4	AF20.FRP55
NI	AWD Transfer clutch (149mm OD x 1.50mm x 61T) ..	89-ON	AR	AF20.FRP58
STEEL PLATES				
Kit	Steel Plate (AF20/22, 50-40/42LE)	89-99	1	AF20.STK01
Kit	Steel Plate (Alto) (AF20/22, 50-40/42LE)	89-99	1	AF20.STK51
Kit	Steel Plate (AF20/22, 50-40/42LE)	99-ON	1	AF20.STK02
Kit	Steel Plate (Alto) (AF20/22, 50-40/42LE)	99-ON	1	AF20.STK52
Kit	Steel Plate (Alto) (AF20/22, 50-40LM/41LM/42LM)	99-ON	1	AF20.STK53
300A	Steel Plate B1 Brake (91mm ID x 1.80mm x 8T)	89-ON	2	AF20.STP01
301A	Steel Plate B2 (2nd Brake) (144mm ID x 2.50mm x 10T)	89-ON	3-4	AF20.STP02
301A	Steel Plate B2 (2nd Brake) (141mm ID x 1.80mm x 10T)	89-98	4	AF20.STP09
301A	Steel Plate B2 (2nd Brake) (141mm ID x 2.50mm x 10T)	99-ON	4	AF20.STP08
301A	Steel Plate B2 (2nd Brake) (141mm ID x 4.00mm x 10T)	99-ON	4	AF20.STP12
302B	Steel Plate B3 (Low & Rev) (144mm ID x 1.80mm x 15T)	89-ON	5	AF20.STP04

AW50-40/42LE (AF14, 20, 22, 23)

4 SPEED FWD (Electronic Control)



AUTOMATIC CHOICE



THE AUTOMATIC TRANSMISSION PARTS WAREHOUSE

ILL NO.	DESCRIPTION	YEARS	QTY	PART NO
STEEL PLATES Cont...				
303C	Steel Plate C1 (Forward) (114mm ID x 1.80mm x 12T)	89-ON	4	AF20.STP03
303C	Steel Plate C1 (Forward) (1114mm ID x 2.00mm x 12T)...	89-ON	AR	AF20.STP10
304C	C2 Clutch (Direct) (91mm ID x 1.80mm x 12T)	89-ON	4	AF20.STP05
305D	Steel Plate C3 Clutch (91mm ID x 1.80mm x 8T)	89-ON	4	AF20.STP01
305D	Steel Plate C3 Clutch V6 (91mm ID x 1.80mm x 18T)	99-ON	4	AF20.STP06
305D	Steel Plate C3 Clutch V6 (91mm ID x 2.50mm x 18T)	99-ON	4	AF20.STP11
NI	AWD Transfer clutch (133mm ID x 1.50mm x 66T)	89-ON	AR	AF20.STP58
PRESSURE PLATES				
400A	Pressure Plate B1 (3.50mm).....	89-ON	Sel	AF20.PP02
401A	Pressure Plate B2 (3.60mm).....	89-ON	Sel	AF20.PP03
402B	Pressure Plate B3 (3.80mm).....	89-ON	Sel	AF20.PP04
403C	Pressure Plate C1 (3.60mm)	89-ON	Sel	AF20.PP01
403C	Pressure Plate C1 (3.80mm)	89-ON	Sel	AF20.PP08
403C	Pressure Plate C1 (4.00mm)	89-ON	Sel	AF20.PP09
404C	Pressure Plate C2 (3.60mm)	89-ON	Sel	AF20.PP10
404C	Pressure Plate C2 (3.80mm)	89-ON	Sel	AF20.PP05
404C	Pressure Plate C2 (4.00mm)	89-ON	Sel	AF20.PP06
405D	Pressure Plate C3 (3.60mm)	89-ON	Sel	AF20.PP11
405D	Pressure Plate C3 (3.80mm)	89-ON	Sel	AF20.PP07
405D	Pressure Plate C3 (4.00mm)	89-ON	Sel	AF20.PP12
NI	Cushion Spring B3 Brake.....	89-ON	1	AF20.DIA03
SPRING & CIRCLIPS				
410A	Piston Return Spring (B1' Brake)	89-ON	1	AF20.RET01
BANDS				
500D	B4 Band	89-ON	1	AF20.BAN01
BUSHINGS				
Kit	Bush Kit	89-ON	1	AF20.BK01
550A	Pump to Converter.....	89-ON	1	BW55.BUS01
FILTERS				
450E	Filter AF14, 20 (Tan)	89-ON	1	AF20.FIL01
450E	Filter AF22 V6 (Black)	96-ON	1	AF20.FIL02
NI	Valve Body Filter (Large)	89-ON	AR	AF20.FIL03
NI	Valve Body Filter (Small).....	89-ON	AR	AF20.FIL04
ELECTRICAL COMPONENTS				
NI	1-2/3-4 & 2-3 Shift Solenoid (AF14, AF20).....	91-96	2	AF20.SOL04
NI	1-2/3-4 Shift Solenoid (AF20/AF22)	96-ON	1	AF20.SOL05
NI	2-3 Shift Solenoid (AF20/AF22.....	96-ON	1	AF20.SOL04

ILL NO.	DESCRIPTION	YEARS	QTY	PART NO
ELECTRICAL COMPONENTS Cont...				
NI	Lock Up Solenoid (AF14, AF20 & AF22).....	91-ON	1	AF20.SOL02
NI	Neutral Control Solenoid (AF20/AF22)	96-ON	1	AF20.SOL03
NI	Speed Sensor (Input).....	91-ON	1	AF20.ELE01
NI	Speed Sensor (Output)	91-ON	1	AF20.ELE02
NI	Range Switch (Volvo 50-42LE) .	91-ON	1	AF20.ELE05
THRUST WASHERS & BEARINGS				
600A	Thrust Washer Pump (Plastic)	91-ON	1	AF20.THW03
661C	Thrust Plate C1/C2 Drum to End Cover (Drum Side).....	91-ON	1	AF20.THW01
662C	Thrust Bearing C1/C2 Drum to End Cover	91-ON	1	AF20.TOR01
667D	Thrust Bearing, 'C3' Clutch Drum to Case.....	91-ON	1	AF20.TOR05
667D	Radial Bearing, 'C3' Clutch Drum to Case Late 60mm OD	98-ON	1	AF20.TOR06
668D	Thrust Race, 'C3' Clutch Drum to Case Late 60mm OD	98-ON	1	AF20.TOR07
672E	Thrust Plate C1/C2 Drum to End Cover (Cover Side).....	91-ON	1	AF20.THW02
VALVE BODY PARTS				
NI	Valve Body, Rebuilt (4 Sols).....	91-ON	1	AF20.VB01
NI	Valve Body, Rebuilt (5 Sols).....	91-ON	1	AF20.VB02
NI	Lock Up Control, Plunger & Sleeve Kit (Sonnax@ Click here for info) .	91-ON	1	AF20.VA01
NI	Main Boost Valve & Sleeve Kit (Sonnax@ Click here for info) .	91-ON	1	AF20.VA02
HARDWARE				
827C	Planetary Assy (50-42LE) (Billet Type Saab, Volvo, Kia)....	91-ON	1	AF20.PL01
836C	C1/C2 Drum (Rebuilt)	91-ON	1	AF20.DRU01
836C	Uprated C1/C2 Drum Assy (50-40/50-42 With Piston)	91-ON	1	AF20.DRU02
850D	Piston 'C3' Clutch (V6 Models) (115mm OD)	91-ON	1	AF20.PIS11
851D	Drum-C3 Clutch (V6 Models)....	91-ON	1	AF20.DRU03
854E	Main Case Assy (Saab)	92-ON	1	AF20CAS02
854E	Main Case Assy (Volvo)	92-ON	1	AF20CAS03
854E	Main Case Assy (Volvo AWD) (Need Vehicle Details)	99-ON	1	AF20CAS04
858E	End Cover (Volvo) 50-42LE	92-ON	1	AF20.CAS01
858E	End Cover (Kia Carnival)	98-ON	1	AF20.CAS05
NI	Shaft, Transmission to Transfer Case (Volvo 4 x 4)	92-ON	1	AF20.SH01
SPECIAL ITEMS, TOOLS & MANUALS				
NI	Volvo 50-42 Manual (S40/V40 ..	96-ON		AF20.MAN01
NI	Volvo/Saab 50-42 Manual (CD)	96-ON		AF20.MAN04